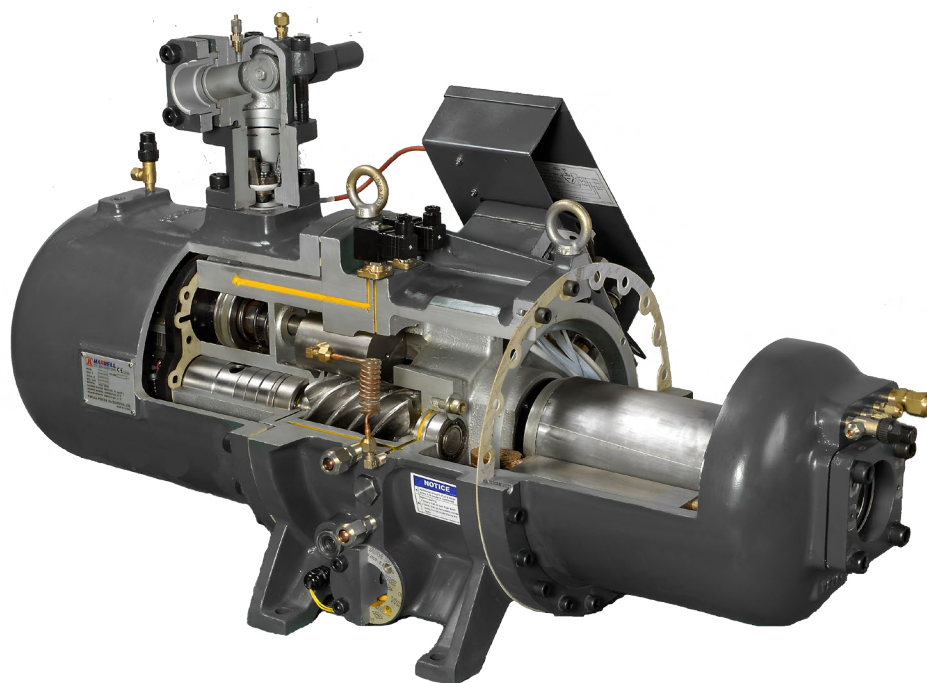




Version 2.1
Rev. - May 21, 2021

RC2 Series Screw Compressor Maintenance Manual



HBMM-RC2-08-A



5580 Enterprise Pkwy., Fort Myers, FL 33905 Office (239) 694-0089 Fax: (239) 694-0031

www.mcscontrols.com

The MCS Commitment is to provide practical solutions for the industries needs and to be both a leader and partner in the effective use of microprocessor controls.

Micro Control Systems, Inc.
5580 Enterprise Parkway
Fort Myers, Florida 33905
PH:(239) 694-0089 FAX:(239) 694-0031
www.mcscontrols.com

All information contained within this document is considered to be proprietary information of Micro Control Systems, Inc. No information or data from this document shall be published, used, reproduced, transmitted, or disclosed to others outside your organization without the prior expressed written consent of Micro Control Systems, Inc. This document and the information contained herein shall be treated as proprietary. Reasonable provisions shall be provided to ensure that this information remains proprietary by your employees, agents, and other personnel that may have access to this document.
Copyright ©2020

Table of Contents

Chapter - 1	REPLACE CAPACITY SOLENOID VALVE	6
1.1.	DISMANTLE SOLENOID VALVE	6
1.2.	ASSEMBLE SOLENOID VALVE.....	7
Chapter - 2	CHANGE 4-STEP TO STEP-LESS CAPACITY CONTROL	9
2.1.	DISMANTLE SOLENOID VALVE	9
2.2.	ASSEMBLE COVER PLATE	10
2.3.	ASSEMBLE UNLOAD SOLENOID VALVE (SV1)	11
2.4.	ASSEMBLE LOAD SOLENOID VALVE (SV2, N.C. as Standard & N.O. as Optional).....	12
Chapter - 3	CHANGE STEP-LESS TO 4-STEP CAPACITY CONTROL	13
3.1.	DISMANTLE SOLENOID VALVE AND COVER PLATE	13
3.2.	ASSEMBLE 50% and 75% SOLENOID VALVE (N.C) AND COVER PLATE	15
Chapter - 4	REPLACE OIL FILTER, OIL LEVEL FLOAT	17
4.1.	DISMANTLE OIL FILTER FLANGE.....	17
4.2.	ASSEMBLE OIL FILTER ON COMPRESSION CASING	18
4.4.	Checking Oil Float.....	19
4.3.	REPLACING RC2 OIL FLOAT.....	20
Chapter - 5	HOW TO REPLACE SUCTION FILTER	21
5.1.	DISMANTLE SUCTION FLANGE	21
5.2.	ASSEMBLE SUCTION FILTER.....	22
Chapter - 6	REPLACE CHECK VALVE AND OIL SEPARATOR	23
6.1.	DISMANTLE CHECK VALVE	23
6.2.	DISMANTLE OIL SEPARATOR (RC2-100~RC2-930)	24
6.3.	DISMANTLE OIL SEPARATOR (RC2-1020~RC2-1530)	24
6.4.	CLEAN OIL SEPARATOR	25
6.4.1	ASSEMBLE OIL SEPARATOR ON COMPRESSOR (RC2-100~RC2-930).....	25
6.4.2	ASSEMBLE OIL SEPARATOR ON COMPRESSOR (RC2-1020~RC2-1530).....	26
6.5.	ASSEMBLE CHECK VALVE.....	27
6.6.	HOW TO REPLACE MOTOR ASSEMBLY AND MOTOR STATOR	28
6.6.1	DISMANTLE TERMINAL COVER PLATE	28
6.6.2	DISMANTLE MOTOR ASSEMBLY AND MOTOR ROTOR	29
6.6.3	DISMANTLE MOTOR STATOR (RC2-170~RC2-930 except RC2-180).....	30
6.6.4	DISMANTLE MOTOR STATOR (RC2-1020~RC2-1530).....	31
6.6.5	ASSEMBLE MOTOR STATOR (RC2-170~RC2-930 except RC2-180).....	31
6.6.6	ASSEMBLE MOTOR STATOR (RC2-1020~RC2-1530).....	33
6.6.7	ASSEMBLE MOTOR ROTOR	34
6.6.8	ASSEMBLE MOTOR ON COMPRESSOR.....	35
6.6.9	ASSEMBLE TERMINAL COVER PLATE.....	36
Chapter - 7	REPLACE PISTON, PISTON ROD, & SLIDE VALVE	38
	(RC2-100~RC2-930)	38
7.1.	DISMANTLE OIL SEPARATOR.....	38
7.2.	DISMANTLE PISTON AND PISTON ROD	39
7.3.	DISMANTLE BEARING SEAT AND SLIDE VALVE	40
7.4.	ASSEMBLE SLIDE VALVE.....	41
7.5.	ASSEMBLE BEARING SEAT	43
7.6.	VIII-6. ASSEMBLE PISTON ROD AND PISTON.....	44
7.7.	ASSEMBLE DISCHARGE COVER PLATE	47
Chapter - 8	REPLACE PISTON, PISTON ROD, AND SLIDE VALVE	49
8.1.	DISMANTLE OIL SEPARATOR.....	49

8.2.	DISMANTLE DEMISTER AND DISCHARGE EXHAUST TUBE	49
8.3.	DISMANTLE PISTON AND PISTON ROD	50
8.4.	DISMANTLE CYLINDER AND BEARING SEAT COVER	51
8.5.	DISMANTLE MOTOR ROTOR.....	51
8.6.	DISMANTLE BEARING SEAT AND SLIDE VALVE	52
8.7.	ASSEMBLE SLIDE VALVE.....	53
8.8.	ASSEMBLE BEARING SEAT	54
8.9.	ASSEMBLE CYLINDER	56
8.10.	ASSEMBLE PISTON ROD AND PISTON	57
8.11.	ASSEMBLE CYLINDER COVER PLATE	59
8.12.	ASSEMBLE DISCHARGE EXHAUST TUBE AND DEMISTER	60
8.13.	ASSEMBLE OIL SEPARATOR.....	61
Chapter - 9	REPLACE MALE & FEMALE ROTORS AS WELL AS BEARINGS.....	62
9.1.	DISMANTLE BEARING LOCK NUT.....	62
9.2.	DISMANTLE MALE AND FEMALE ROTORS	62
9.3.	DISMANTLE DISCHARGE AND SUCTION BEARINGS	63
9.4.	ASSEMBLE MALE AND FEMALE ROTORS AS WELL AS DISCHARGE BEARINGS	65
9.5.	ASSEMBLE SUCTION BEARINGS	72
9.6.	ASSEMBLE OIL SEPARATOR.....	75
Chapter - 10	APPENDIX.....	77
Chapter - 11	RECOMMENDED MAINTENANCE SCHEDULE	86
Chapter - 12	RC2 COMPRESSOR PART LIST & DRAWINGS	87
12.1.	RC2-100 Screw Compressor Part List	87
12.2.	RC2-140 Screw Compressor Part List	90
12.3.	RC2-170 Screw Compressor Part List (Discontinued)	92
12.4.	RC2-180 Screw Compressor Part List	94
12.5.	RC2-200 Screw Compressor Part List	96
12.6.	RC2-230 Screw Compressor Part List	98
12.7.	RC2-260 Screw Compressor Part List	100
12.8.	RC2-300 Screw Compressor Part List	102
12.9.	RC2-310 Screw Compressor Part List	104
12.10.	RC2-320 Screw Compressor Part List (Discontinued)	106
12.11.	RC2-340 Screw Compressor Part List	108
12.12.	RC2-370 Screw Compressor Part List	110
12.13.	RC2-410 Screw Compressor Part List	112
12.14.	RC2-470 Screw Compressor Part List	114
12.15.	RC2-510 Screw Compressor Part List	116
12.16.	RC2-550 Screw Compressor Part List	118
12.17.	RC2-580 Screw Compressor Part List	120
12.18.	RC2-610 Screw Compressor Part List (Discontinued)	122
12.19.	RC2-620 Screw Compressor Part List	124
12.20.	RC2-710 Screw Compressor Part List	126
12.21.	RC2-790 Screw Compressor Part List	128
12.22.	RC2-830 Screw Compressor Part List	130
12.23.	RC2-930 Screw Compressor Part List	132
12.24.	RC2-1020 Screw Compressor Part List	134
12.25.	RC2-1130 Screw Compressor Part List.....	137
12.26.	RC2-1270 Screw Compressor Part List	140
12.27.	RC2-1530 Screw Compressor Part List	143
12.28.	RC2 COMPRESSOR EXPLOSION DRAWING	146

PREFACE

“RC2 Series Screw Compressor Maintenance Manual” serves as a guide for technicians to do maintenance or overhaul of HANBELL RC2 series compressor.

Before maintenance or overhaul of compressor, preparation of components, spare parts, tools, measuring instruments and facilities as well as clean surroundings are must.

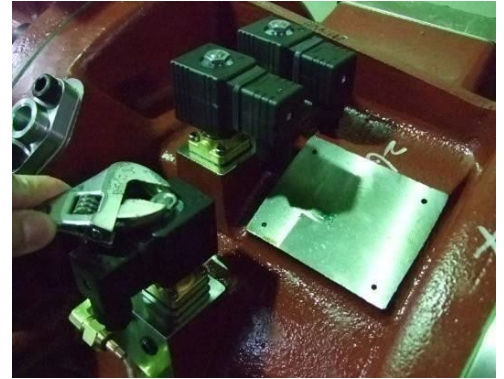
Although proper procedures of maintenance are described in this manual, the person who performs maintenance of compressor should be well trained and authorized by HANBELL or HANBELL distributors.

Chapter - 1 REPLACE CAPACITY SOLENOID VALVE

NOTE: If the compressor is still connected in the chiller system, please make sure to pump down first, release pressure inside the compressor and shut down the system to prevent any accident at jobsite.

1.1. DISMANTLE SOLENOID VALVE

Step 1. Loosen lock nut on solenoid coil by a wrench and remove solenoid coil.



Step 2. Loosen all bolts on solenoid valve and cover plate then remove them.



Step 3. Clean the surface of compressor casing with oilstone and oil-line holes with pressurized air.



1.2. ASSEMBLE SOLENOID VALVE

Step 1. Put gasket on casing. Two holes of gasket must be aligned with those on casing.



Step 2. Install solenoid valve on compressor casing and make sure that two holes of solenoid valve must be aligned with oil-line holes of compressor casing.



Step 3. Install all solenoid valves on compressor casing, put all bolts on and tighten them.



Step 4. Install solenoid coil on solenoid valve.



Chapter - 2 CHANGE 4-STEP TO STEP-LESS CAPACITY CONTROL

NOTE: Make sure to release pressure inside the compressor before replacement of each compressor part to prevent any accident.

4-Step Capacity Control



Step-less Capacity Control



2.1. DISMANTLE SOLENOID VALVE

Step 1. Loosen locknuts of three solenoid coils by a wrench and remove them.



Step 2. Loosen all bolts on 75% and 50% solenoid valves and remove them.



Step 3. Loosen bolts on cover plate and remove it.



Step 4. Clean the surface of compressor casing with oilstone and oil-line holes with pressurized air.



2.2. ASSEMBLE COVER PLATE

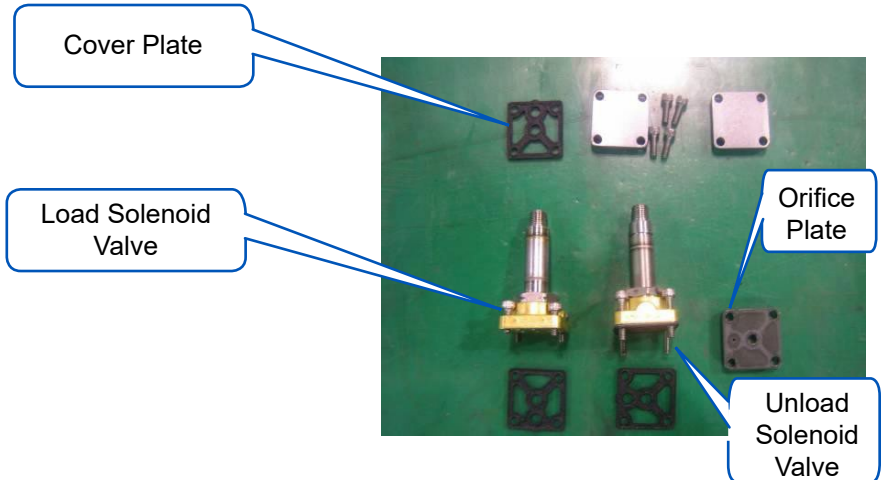
Step 1. Put cover plate with gasket on 50% and 75% solenoid positions.



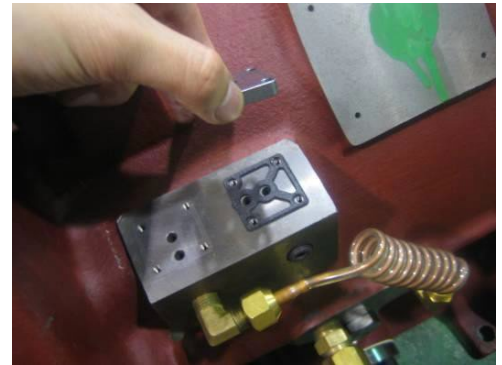
Step 2. Tighten all bolts.



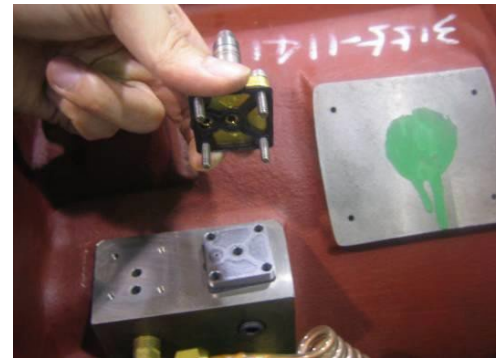
2.3. ASSEMBLE UNLOAD SOLENOID VALVE (SV1)



Step 1. Put gasket and orifice plate on SV1 position.



Step 2. Put solenoid valve with gasket on orifice, two holes of solenoid valve, gasket, orifice, and casing must be aligned.



Step 3. Tighten all bolts.



2.4. ASSEMBLE LOAD SOLENOID VALVE (SV2, N.C. as Standard & N.O. as Optional)

Step 1. Put gasket on casing, two holes of gasket must be aligned with those on casing.



Step 2. Put solenoid valve on casing.



Step 3. Tighten bolts.



Step 4 Install solenoid valve coil on solenoid valve.



Chapter - 3 CHANGE STEP-LESS TO 4-STEP CAPACITY CONTROL

4-Step Capacity Control



Step-less Capacity Control



3.1. DISMANTLE SOLENOID VALVE AND COVER PLATE

Step 1. Dismantle solenoid coil.



Step 2. Loosen all bolts of cover plates and remove them.



Step 3. Loosen all bolts of load solenoid valve (SV2) and remove it.



Step 4. Clean the surface of compressor casing **with oilstone** and oil-line holes with pressurized air.



3.2. ASSEMBLE 50% and 75% SOLENOID VALVE (N.C) AND COVER PLATE

Step 1. Assemble cover plate for step control.
The hole of gasket and cover plate must be aligned with two holes on casing.



Step 2. Tighten all bolts



Step 3 Install 50% and 75% solenoid valve (N.C) with gasket on casing. Two holes of gasket and solenoid valve must be aligned with those on casing.



Step 4 Tighten bolts



Step 5 Take out orifice plate which is under SV1 solenoid valve then re-install solenoid on compressor. then re-install solenoid on compressor.



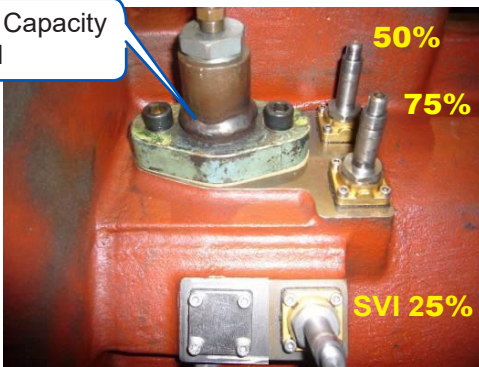
Step 6. Install solenoid coil on solenoid valve.



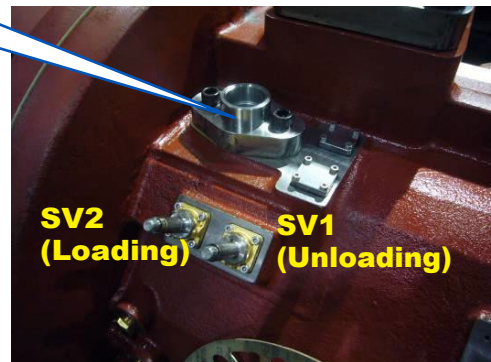
For RC2-1020~RC2-1530

Please refer to section II and section III for the capacity modification. The original installation for 4-step and step-less capacity control can be referred below.

4-Step Capacity Control



Step-less Capacity Control



Chapter - 4 REPLACE OIL FILTER, OIL LEVEL FLOAT

Note: If the compressor is still in service, it must be isolated from the refrigerant and electrical system. Lock out tag in place, service valves and any other refrigerant lines closed.

All refrigerant must be recovered in accordance to EPA guidelines. Nitrogen can be used to increase the internal pressure to aid in the removal of the oil (1 or 2 psi).

4.1. DISMANTLE OIL FILTER FLANGE

Step 1. Drain and recover lubricant inside the compressor by loosening the nut of angle valve on service flange or oil filter flange. Another way is loosening all bolts of oil filter flange and removing this flange to drain oil.



Step 2. After draining lubricant, loosen all bolts of oil filter flange and pull out flange and oil filter.



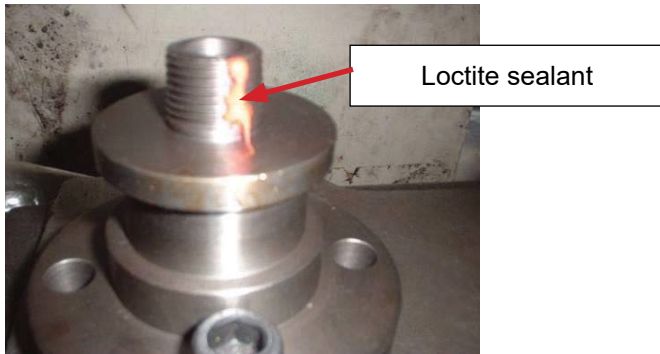
Step 3.

Remove old filter and place in vise (clamp) to remove from flange, loosen the nut of oil filter with a wrench, and remove from flange.



Step 4.

Apply Loctite sealant on the screw of oil filter flange. Install new oil filter onto oil filter flange and tighten it using a torque wrench with torque, 62 ft lb(850 kg-cm).



4.2. ASSEMBLE OIL FILTER ON COMPRESSION CASING

Step 1.

Put oil filter inner (Teflon) and outer gasket on oil filter flange as shown.

Step 2.

Install oil filter assembly on compressor casing.



Step 3.

Install all hexagonal screw bolts and tighten it using a hexagonal wrench or a torque wrench with torque, 72 ft lb (1000 kg-cm).

Leak check, pressurize with nitrogen, then vacuum compressor to 200 microns



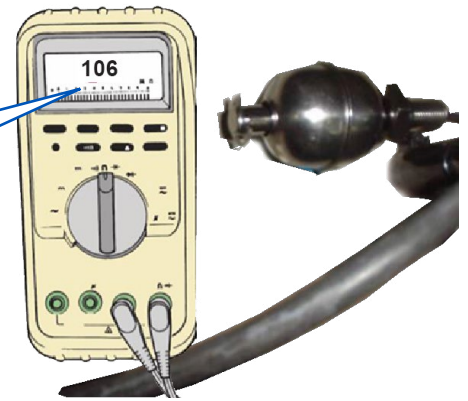
4.4. Checking Oil Float

Step 1. Use a torque wrench or hexagonal wrench to loosen bolts of oil level switch cover.

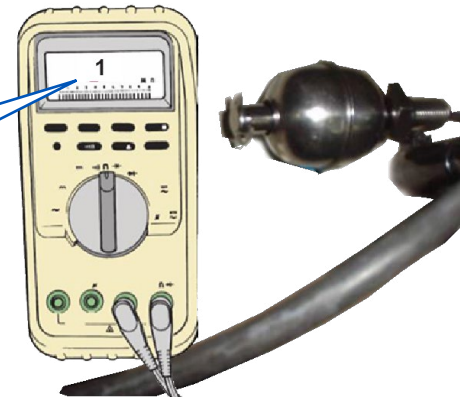


Step 2. Check oil level float by ohm meter. Connect two wires of oil level switch to ohm meter.

The float should be ON when the oil level is high



The float should be OFF when the oil level is low



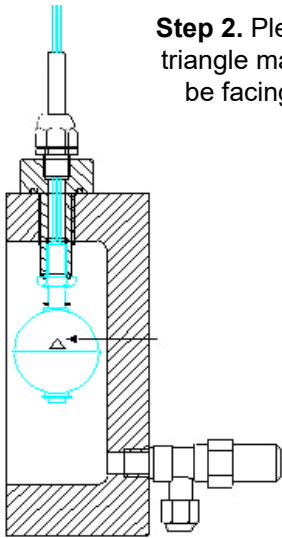
Step 4. If the oil level float is broken, please replace it with a new switch.

4.3. REPLACING RC2 OIL FLOAT

Note: If the compressor is still in service, it must be isolated from the refrigerant and electrical system. Lock out tag in place, service valves and any other refrigerant lines closed.

All refrigerant must be recovered in accordance to EPA guidelines. Nitrogen can be used to increase the internal pressure to aid in the removal of the oil (1 or 2 psi).

Step 1. Drain oil and recover all refrigerant, loosen bolts on the oil level switch cover.



Step 2. Please note the direction of the triangle mark on the float ball needs to be facing upward after installation.

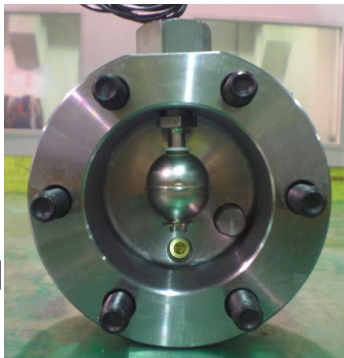
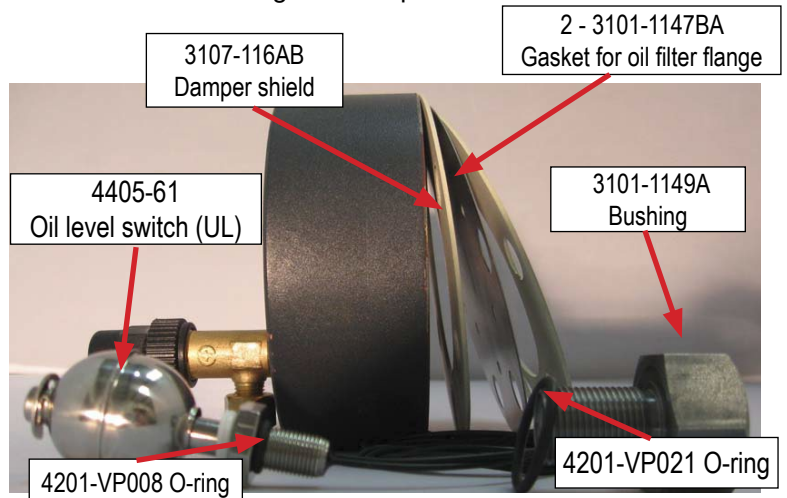


Photo shows assemble with 'O Rings' Vibration Shield and gaskets in place.



Step 3. Reassemble as shown, torque bolts to 72 ft lbs (1000 kg-cm). Leak check, pressurize with nitrogen, then vacuum compressor to 200 microns.



Chapter - 5 HOW TO REPLACE SUCTION FILTER

NOTE: If the compressor is still connected in the chiller system, please make sure to pump down the system and release pressure inside the compressor before replacing any parts of the compressor to prevent any accident at job site.

5.1. DISMANTLE SUCTION FLANGE

Step 1. Loosen all hexagonal screw bolts of suction flange with a wrench.



NOTE: If the stop valve is connected directly to the suction flange, loosen all screw bolts and remove the stop valve.



Step 2. Disconnect suction piping from the compressor.



Step 3. Remove gaskets and suction filter from the compressor.



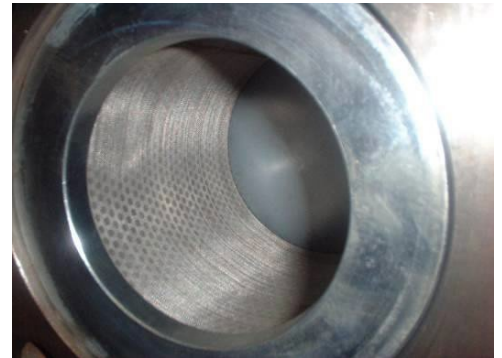
5.2. ASSEMBLE SUCTION FILTER

Step 1. Put suction filter inner gasket on motor casing suction flange before installing suction filter.

Inner Gasket



Step 2. Install suction filter in compressor casing.



Step 3. Put suction filter outer gasket on motor casing suction flange.

Outer Gasket



Step 4. Install suction flange with bolts and tighten it using a hexagonal wrench or torque wrench.

NOTE: Please refer to Table 5 in Appendix for torque value setting to tighten compressor accessories.



Chapter - 6 REPLACE CHECK VALVE AND OIL SEPARATOR

6.1. DISMANTLE CHECK VALVE

Step 1. Disconnect first discharge piping of the chiller system from check valve.

NOTE: If the service/stop valve is connected directly to compressor discharge piping, loosen first all screw bolts and remove the stop valve.



Remove service/stop valve

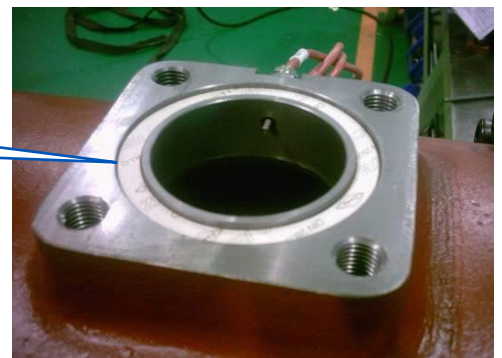


Step 2. Loosen all bolts of check valve and remove check valve from oil separator.



Step 4. Replace old gasket with new gasket.

Change this gasket into new one



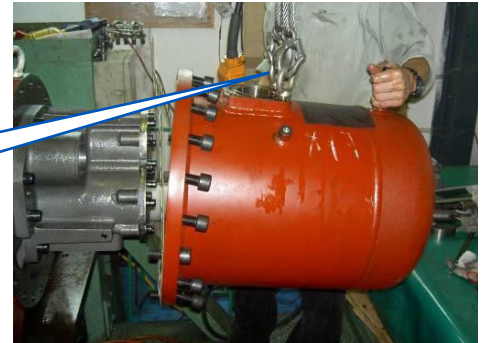
6.2. DISMANTLE OIL SEPARATOR (RC2-100~RC2-930)

Step 1. Install eyebolts on oil separator, lift it using an overhead crane and then loosen all bolts of oil separator.



Step 2. Pull out oil separator from compressor casing.

Hung by overhead crane with eyebolts and steel rope



6.3. DISMANTLE OIL SEPARATOR (RC2-1020~RC2-1530)

Step 1. Use overhead crane to lift the oil separator and loose all bolts on oil separator.



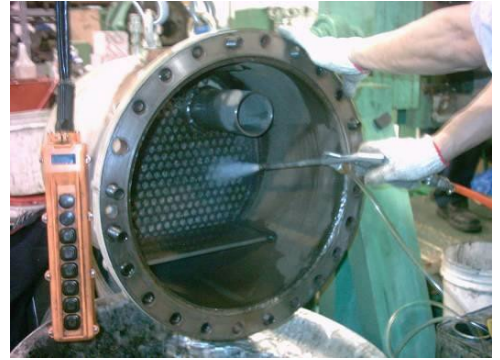
Step 2. Pull out oil separator from compressor casing.

Hung by overhead crane with eyebolts and steel rope

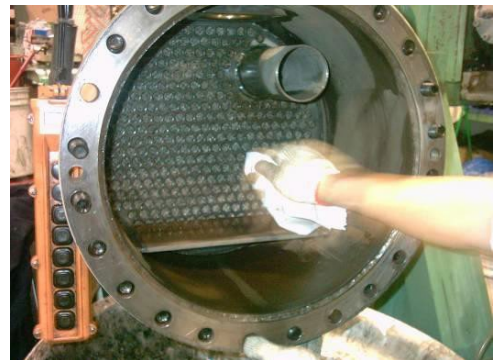


6.4. CLEAN OIL SEPARATOR

Step 1. Lift oil separator using an overhead crane and use pressurized oil to clean wire mesh inside oil separator, or dismantle and clean it.



Step 2. Wipe the inner portion of oil separator with a piece of cloth or rag.



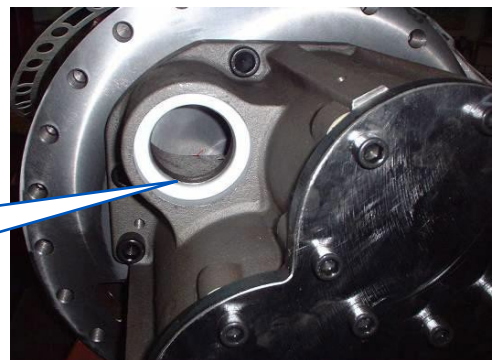
Step 3. Use oilstone to clean the surface of oil separator and wipe it with a piece of cloth or rag.



6.4.1 ASSEMBLE OIL SEPARATOR ON COMPRESSOR (RC2-100~RC2-930)

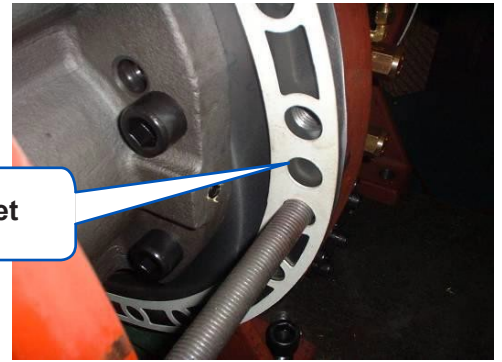
Step 1. Put new Teflon gasket in the discharge side of bearing seat.

Teflon Gasket



Step 2. Put oil separator gasket on compressor casing. Use screw bars on both sides of casing to secure gasket and also hold oil separator during installing.

New Gasket



Step 3. Install oil separator on compressor and put all screw bolts and tighten them with a wrench or torque wrench.

NOTE: For M20 bolt, torque should be 3800 kg-cm. For M16 bolt, torque should be 2000 kg-cm. Please also refer to index for torque setting to tighten other bolts.



6.4.2 ASSEMBLE OIL SEPARATOR ON COMPRESSOR (RC2-1020~RC2-1530)

Step 1. Put oil separator gasket between compressor casing and oil separator. Lift oil separator and assemble it gradually (Do not damage the demister during the installation)

Put oil separator gasket here

Demister



Step 2. When oil separator casing is close to compression casing, put some bolts to align oil separator gasket in its position.

Bolts for alignment



Step 3. Put all screw bolts and tighten them with a wrench or torque wrench.

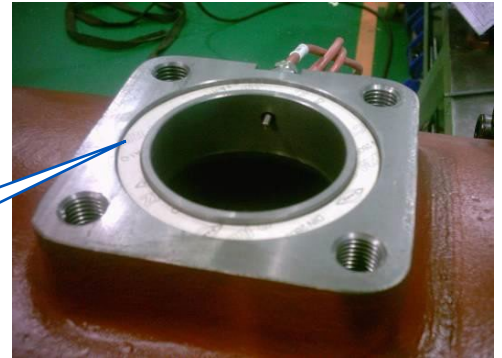
NOTE: For M20 bolt, torque should be 3800 kg-cm. For M16 bolt, torque should be 2000 kg-cm. Please also refer to index for torque setting to tighten other bolts.



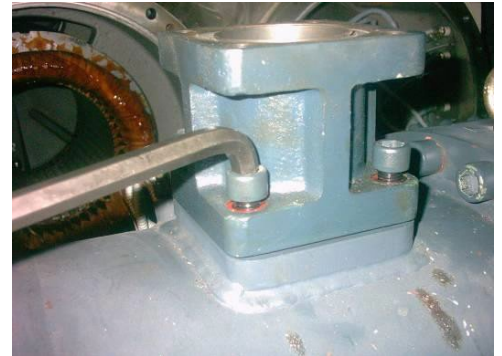
6.5. ASSEMBLE CHECK VALVE

Step 1. Put new gasket on discharge separator.

New Gasket



Step 2. Install check valve on discharge port of oil separator and put all screw bolts and tighten them using a wrench with torque, 1600 kg-cm.



Step 3. Put new gasket on check valve.



Step 4. Install discharge piping or stop valve on check valve and put all screw bolts and tighten them using a wrench with torque, **1600kg-cm**.



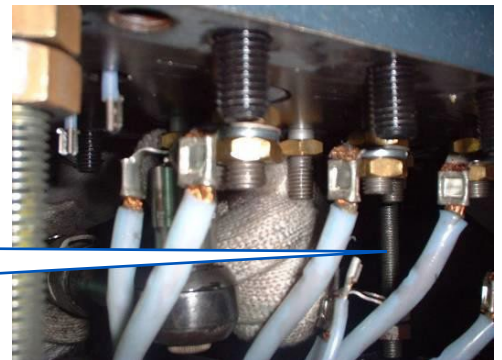
6.6. HOW TO REPLACE MOTOR ASSEMBLY AND MOTOR STATOR

6.6.1 DISMANTLE TERMINAL COVER PLATE

Step 1. Loosen all screw bolts of terminal cover plate using a wrench or pneumatic wrench.



Step 2. Use screw rods to hold terminal cover plate and loosen copper nuts from terminals.



Screw Rods

Step 3. Take out terminal cover plate and gasket.

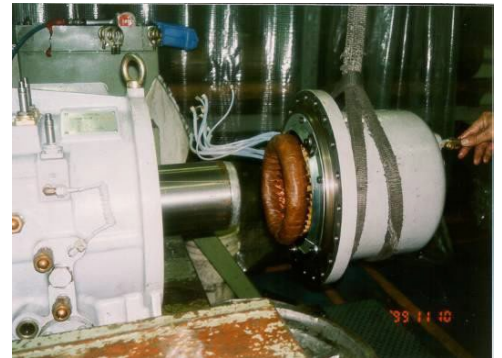


6.6.2 DISMANTLE MOTOR ASSEMBLY AND MOTOR ROTOR

Step 1. Use a rope to hold motor assembly, hang it with an overhead crane, and then loosen all screw bolts with a pneumatic wrench or hexagonal wrench.



Step 2. Remove all screw bolts and pull out motor assembly slowly.



Step 3. Loosen the bolt of motor rotor using a wrench or pneumatic wrench.



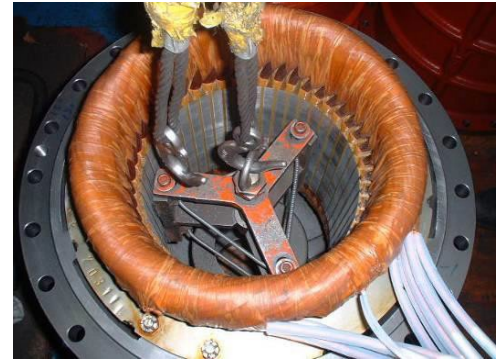
Step 4. Pull out motor rotor and remove rotor key.

NOTE: Use a rope to take out motor rotor inside big model of compressor.



6.6.3 DISMANTLE MOTOR STATOR (RC2-170~RC2-930 except RC2-180)

Step 1. Insert motor stator holder in motor stator firstly then hang it slightly with an overhead crane.



Step 2. Loosen fixing pin of motor stator with a wrench.



Step 3. Remove fixing pin of motor stator and O-ring so motor stator separates from motor casing.



Step 4. Lift motor stator with an overhead crane.



6.6.4 DISMANTLE MOTOR STATOR (RC2-1020~RC2-1530)

Step 1. Loose all bolts on the motor stator



Step 2. Insert motor stator holder in motor stator firstly then hang it slightly with an overhead crane.



Step 3. Lift motor stator with an overhead crane.



6.6.5 ASSEMBLE MOTOR STATOR (RC2-170~RC2-930 except RC2-180)

Step 1. Insert motor stator holder into motor stator and lift it with an overhead crane.



Step 2. Put motor stator slowly into motor casing.

Two holes in motor stator and motor casing must be aligned.



Step 3. Check if these two holes are aligned.

Check this hole



Step 4. Install fixing pin of motor stator to motor casing.

Make sure to put new O-ring on



Step 5. Tighten fixing pin of motor stator using a wrench.



6.6.6 ASSEMBLE MOTOR STATOR (RC2-1020~RC2-1530)

Step 1. Use motor stator holder to lift the motor stator and put it into motor casing.



Step 2. Align the fixing holes on the stator holes on motor casing. The motor terminal should toward be the right to the eyebolt.

Eye Bolt



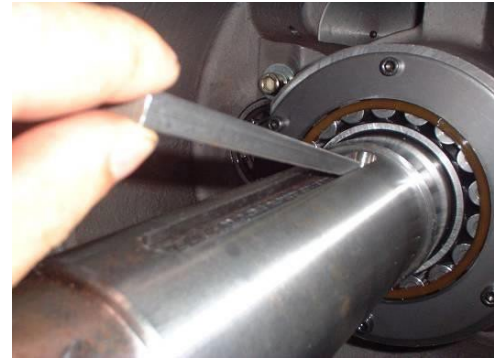
Terminal leads

Step 2. Tighten all the bolts of the motor stator



6.6.7 ASSEMBLE MOTOR ROTOR

Step 1. Put motor rotor key on male screw rotor.



Step 2. Install motor rotor on male screw rotor shaft.

NOTE: Use a rope for installation in bigger models.



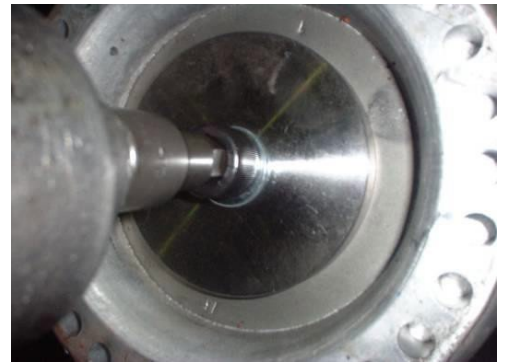
S/N on rotor should be close to suction bearing



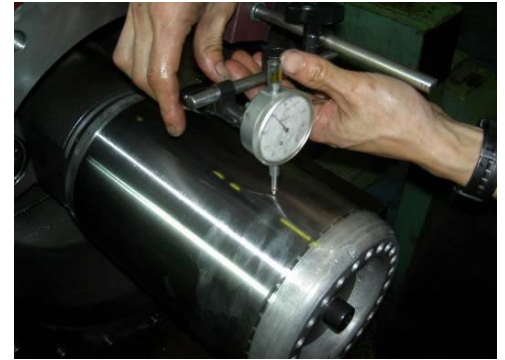
Step 3. Apply Loctite sealant on M16 screw bolt install it with washer.

Loctite Sealant





Step 4. Check alignment of motor rotor using a dial gauge. Rotate rotor in counterclockwise direction; reading should not exceed 0.15 mm.



6.6.8 ASSEMBLE MOTOR ON COMPRESSOR

Step 1. Lift motor assembly with an overhead crane and put new gasket on motor assembly.

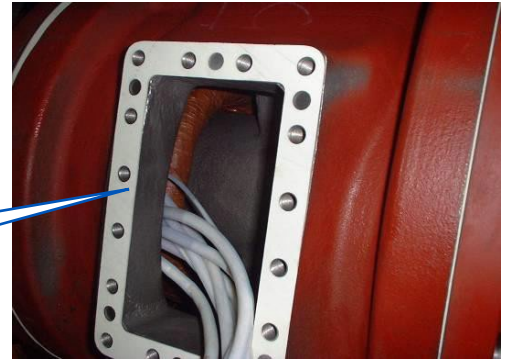


Step 2. Install motor assembly on compressor.



Step 3. Pull lead wires of stator motor out of terminal opening in compressor casing and put new terminal cover plate gasket on compressor casing.

New Gasket



There are marks such as U,V,W,Z,X,Y in ring terminals



Step 4. Install all bolts on motor assembly and tighten them using a torque wrench or hexagonal wrench. Please also refer to Appendix for torque setting to tighten bolts.



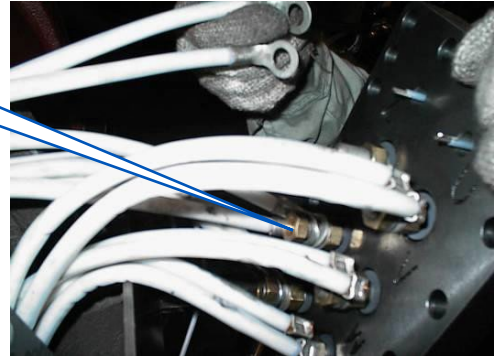
6.6.9 ASSEMBLE TERMINAL COVER PLATE

Step 1. Install screw rods first on the compressor casing and then put on terminal plate.



Step 2. Connect rings of lead wires to terminal bolts on terminal **cover plate**. Marks on ring terminals of lead wires should **correspond** to those of terminal bolts on terminal cover plate. Install screw nuts and washers on each terminal bolts, tighten all screw nuts using a wrench or pneumatic wrench and also connect cable sockets of PTC thermistor and those of motor temperature sensor if any to sensor terminals.

The same marks U-U, V-V, W-W, Z-Z, X-X, and Y-Y correspond in terminal bolts and ring terminals of lead wires.

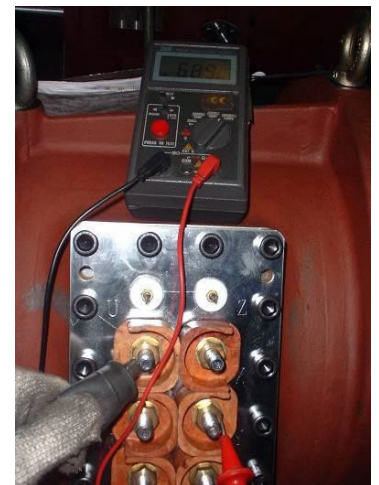


Step 3. Install all bolts and tighten them using a torque wrench or hexagonal wrench with torque, 1000 kg-cm.



Step 4. Inspect insulation of motor stator between phases, from terminal to the ground, and from terminal to sensor terminal.

NOTE: Please refer to Table 3 in Appendix for standard of insulation test.



Chapter - 7 REPLACE PISTON, PISTON ROD, & SLIDE VALVE (RC2-100~RC2-930)

7.1. DISMANTLE OIL SEPARATOR

Step 1. Lift the compressor, put it on workbench and fix the base using two screw bolts diagonally at least.

Note: In case there is no workbench at job site, use a table that could bear the load of compressor instead.



Step 2. Dismantle check valve, use a wrench to loosen bolts, and then remove check valve.



Step 3. Install two eyebolts on oil separator and hang them using an overhead crane, and then loosen all bolts of oil separator.

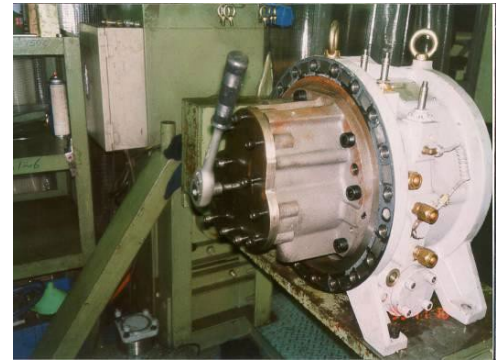


Step 4. Take out oil separator from compressor.

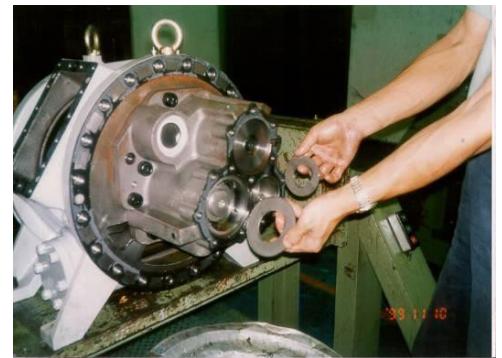


7.2. DISMANTLE PISTON AND PISTON ROD

Step 1. Loosen all screw bolts of discharge cover plate and then remove it.



Step 2. Take out disc springs and discharge bearing fixed rings.



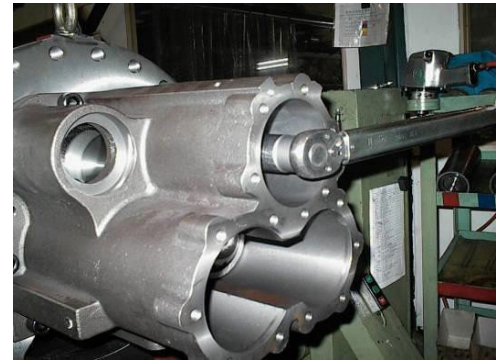
Step 3. Loosen the bolt of piston and remove it.



Step 4. Pull out piston, modulation spring, and copper washer.



Step 5. Use a torque wrench to take out piston rod.



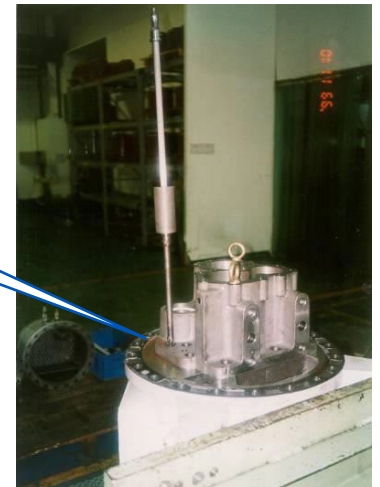
7.3. DISMANTLE BEARING SEAT AND SLIDE VALVE

Step 1. Loosen bolts of bearing seat using a wrench.



Step 2. Remove two position pins from bearing seat.

Position Pin



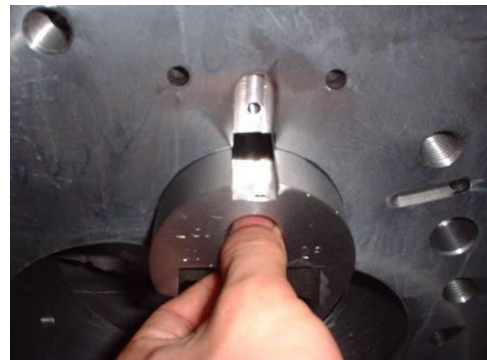
Step 3. Install two eyebolts on bearing seat and lift it slowly using an overhead crane.



Step 4. Loosen the bolt of slide valve key using a hexagonal wrench and take out slide valve key.



Step 5. Take out slide valve.

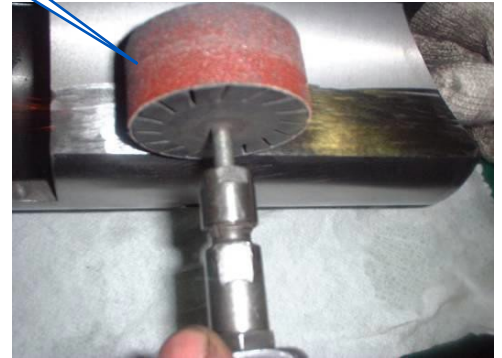
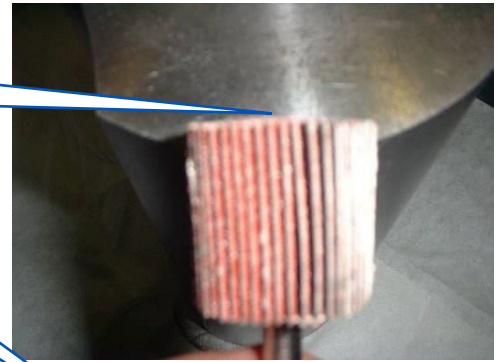


7.4. ASSEMBLE SLIDE VALVE

Step 1. Use a file or grinding wheel to slightly clean the sharp edge of slide valve.



Slightly grind the surface to eliminate the sharp edges



Step 2. Clean oil passages in compressor casing with pressurized air.



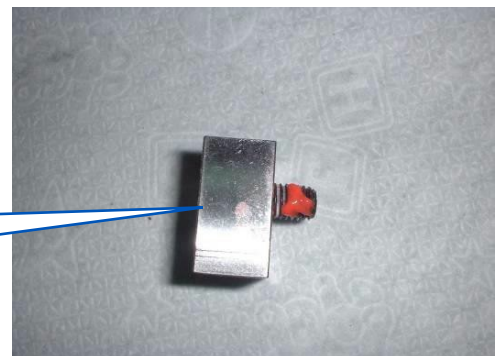
Step 3. Install slide valve in compressor casing. Make sure that slide valve can be moved smoothly.

NOTE: Please refer to Table 6 in Appendix for clearance.



Step 4. Apply Loctite sealant on the bolt of slide valve key.

Loctite Sealant

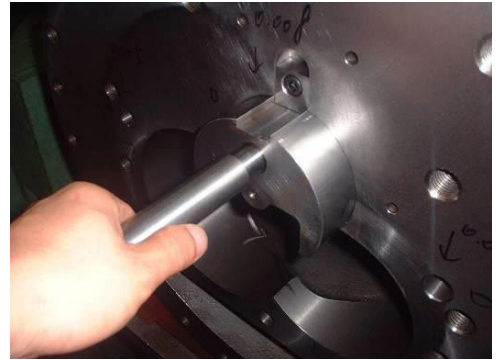


Step 5. Install slide valve key and tighten it with a hexagonal wrench.

NOTE: Please also refer to Appendix for torque setting to tighten bolts.



Step 6. Check if slide valve can be moved smoothly again.



7.5. ASSEMBLE BEARING SEAT

Step 1. Apply Loctite sealant in the surface of the compressor casing. Be careful not to drop any sealant inside the chamber.

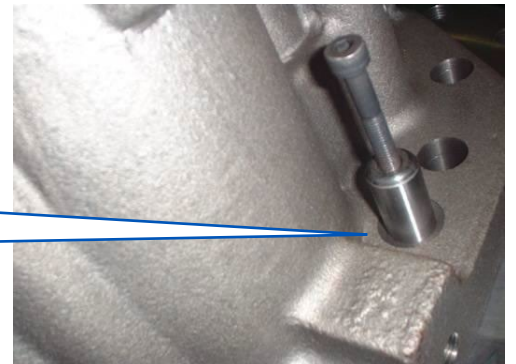


Step 2. Lift bearing seat and install it carefully on the compressor casing.



Step 3. Fix position pins in original positions at two ends of bearing seat by hammering it.

Position Pin



Step 4. Install all hexagonal screw bolts and tighten them with a torque wrench or hexagonal wrench. Please also refer to Appendix for torque setting to tighten bolts.

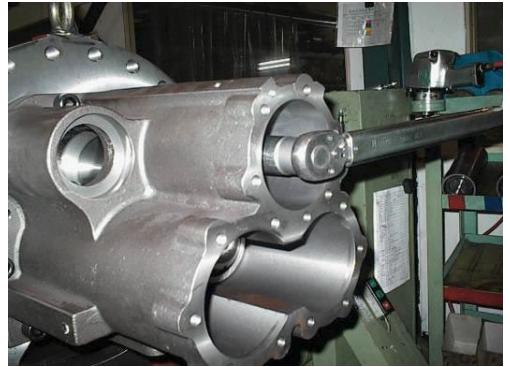
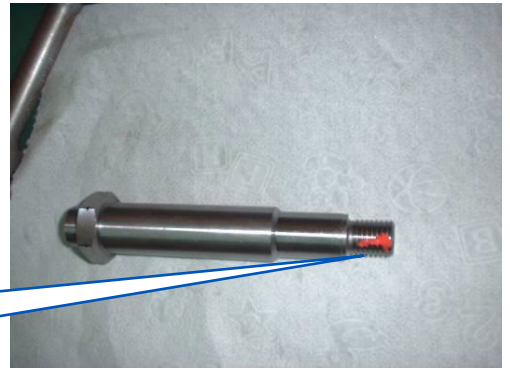
7.6. VIII-6. ASSEMBLE PISTON ROD AND PISTON

Step 1. Apply Loctite sealant on piston rod's screw and install it on the slide valve using a torque wrench with torque, 1000 kg-cm. Check again if motion of slide valve is smooth by moving piston rod forward and backward.

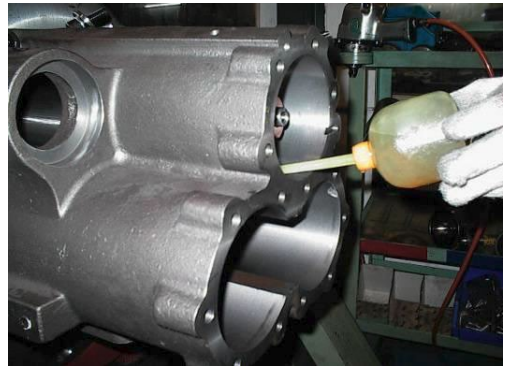


Step 2. Apply some lubricant in cylinder and put on **copper washer**.

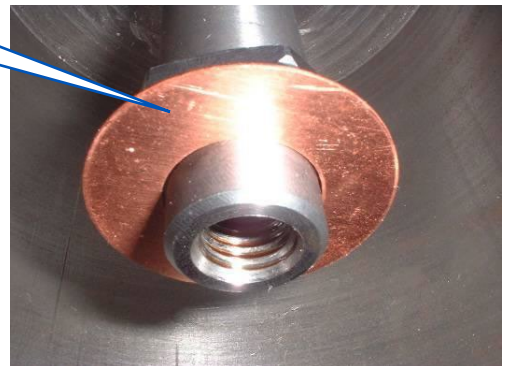
Loctite Sealant



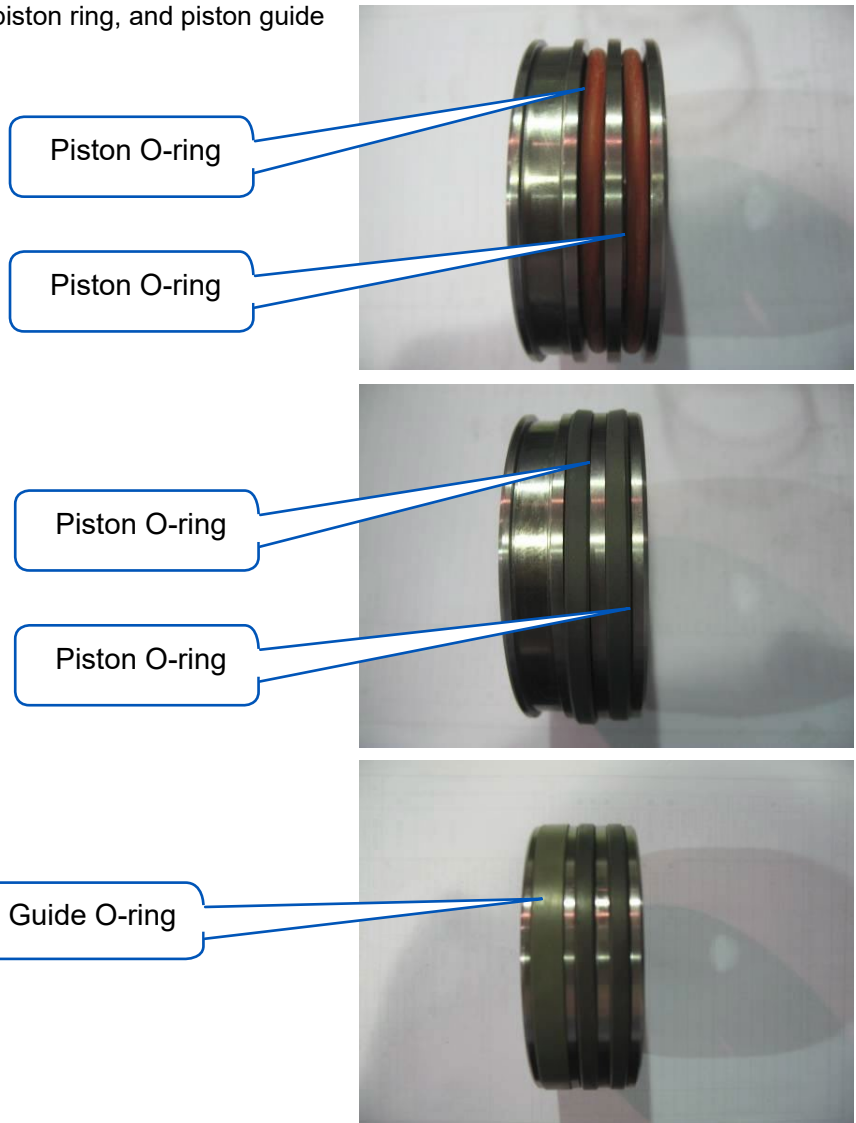
Push and pull piston rod to check if motion of slide valve is smooth.



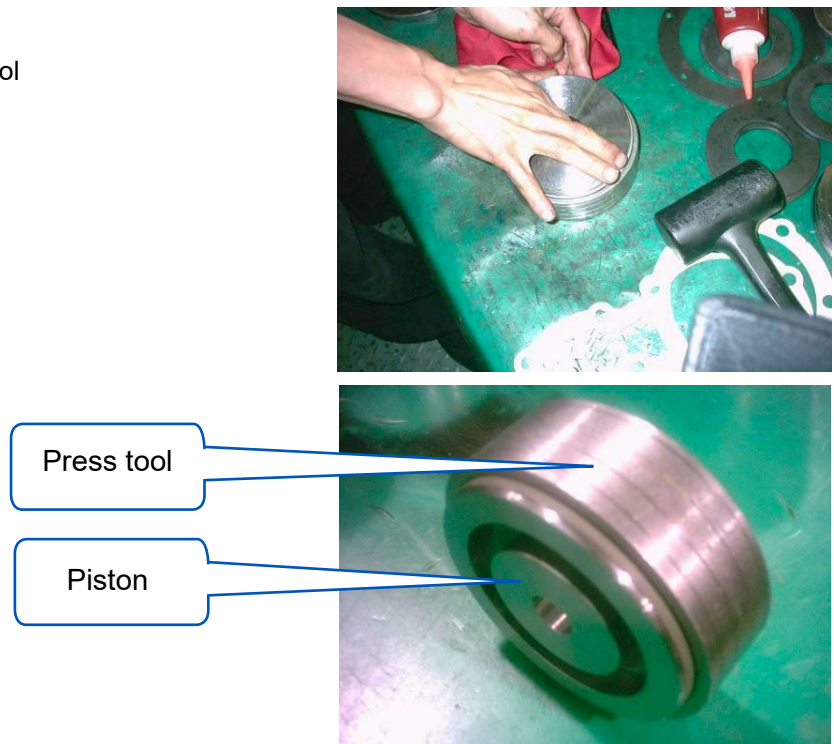
Copper Washer



Step 3. Install first the piston O-ring, piston ring, and piston guide ring in the piston.

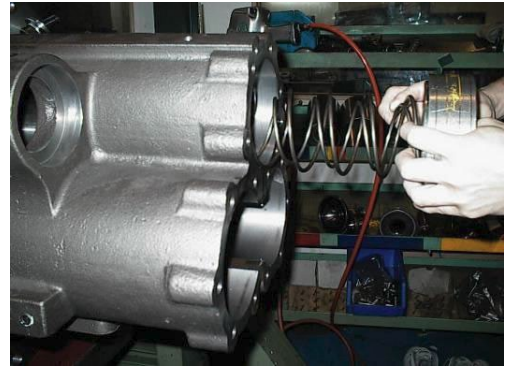


Step 4. Fix the piston to piston press tool

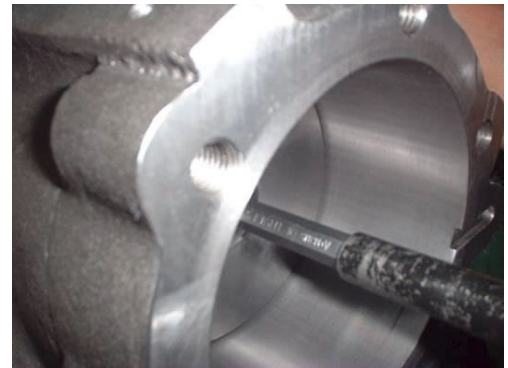


Step 5. Install piston with modulation spring on the piston rod.
Be careful not to drop copper washer inside cylinder.

Guide Ring



Step 6. Install the bolt with washer and spring washer on piston.
Check motion of piston by pushing it to the end and release it. It should rebound at least 75% of its travel.



7.7. ASSEMBLE DISCHARGE COVER PLATE

Step 1. Apply some lubricant in discharge bearing.



Step 2. Install discharge bearing fixed rings (male and female).

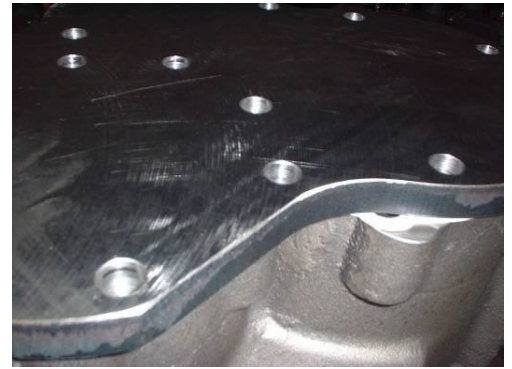
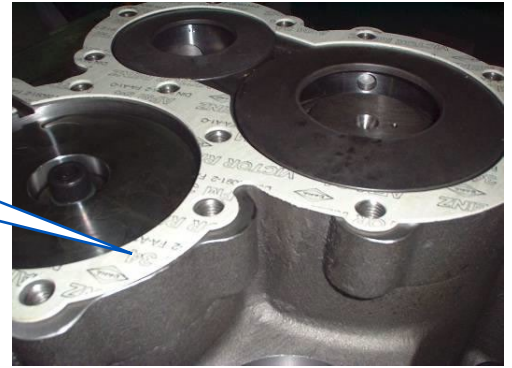


Step 3. Install disc springs (male and female).



Step 4. Install discharge cover plate with new gasket.

Gasket



Step 5. Put all hexagonal bolts and tighten them using a hexagonal wrench or torque wrench with torque, 1000 kg-cm.

NOTE: Please also refer to Appendix for torquesetting to tighten bolts.



Chapter - 8 REPLACE PISTON, PISTON ROD, AND SLIDE VALVE

(RC2-1020~RC2-1530)

8.1. DISMANTLE OIL SEPARATOR

Step 1. Use overhead crane to lift the oil separator then loose all bolts on it.



Step 2. Pull out oil separator from compressor casing.



8.2. DISMANTLE DEMISTER AND DISCHARGE EXHAUST TUBE

Step 1. Loose nuts to take off demister module from bearing seat cover plate.



Step 2. Loose bolts to take off discharge exhaust tube.



8.3. DISMANTLE PISTON AND PISTON ROD

Step 1. Loosen all screw bolts on cylinder cover and remove them.



RC2-1020~RC2-1130



RC2-1270~RC2-1530

Step 2 .Loose the bolt on the piston and take off the piston and spring.



RC2-1020~RC2-1130



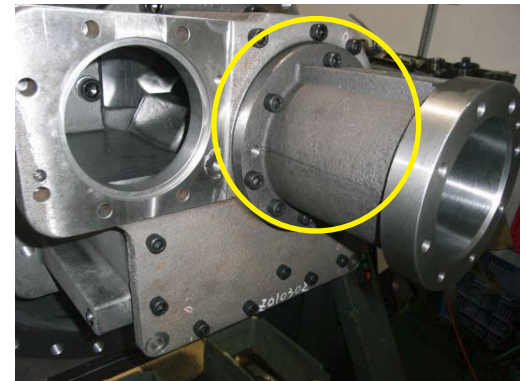
RC2-1270~RC2-1530

Step 3 . Use a torque wrench to take out piston rod.



8.4. DISMANTLE CYLINDER AND BEARING SEAT COVER

Step 1 . Loosen all the bolts which are used to fix cylinder on bearing seat then remove the cylinder.



RC2-1270~RC2-1530

Step 2 . Loosen all the bolts on bearing seat cover and then remove it.



RC2-1020~RC2-1130

8.5. DISMANTLE MOTOR ROTOR

Please follow VII-1~VII-2 instruction to disassemble motor rot from compressor.



RC2-1270~RC2-1530

8.6. DISMANTLE BEARING SEAT AND SLIDE VALVE

Step 1. Loosen bolts of bearing seat.



Step 2. Remove two position pins from bearing seat.

Pin



Step 3. Install two eyebolts on bearing seat and lift it slowly using an overhead crane.



Step 4. Loosen the bolt of slide valve key using a hexagonal wrench and take out slide valve key.



Step 5. Take out slide valve.



8.7. ASSEMBLE SLIDE VALVE

Step 1. Use a file or grinding wheel to slightly clean the sharp edge of slide valve.



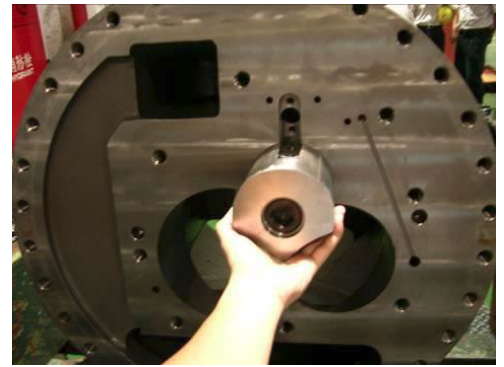
Slightly grind the surface to eliminate the sharp edges



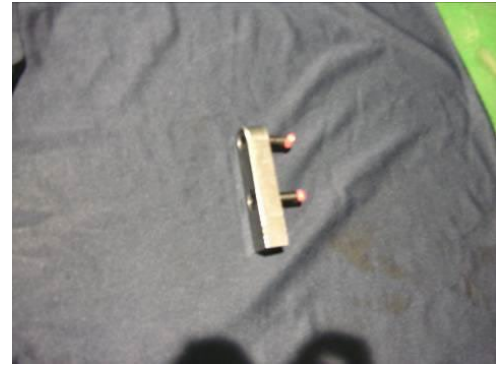
Step 2. Clean oil passages in compressor casing with pressurized air.



Step 3. Install slide valve in compressor casing. Make sure that slide valve can be moved smoothly.



Step 4. Apply Loctite sealant on the bolt of slide valve key.



Step 5. Install slide valve key and tighten it with a hexagonal wrench.

NOTE: Please also refer to Appendix for torque setting to tighten bolts.



Step 6. Check if slide valve can be moved smoothly again.



8.8. ASSEMBLE BEARING SEAT

Step 1. Apply Loctite sealant in the surface of the compressor casing. Be careful not to drop any sealant inside the chamber.

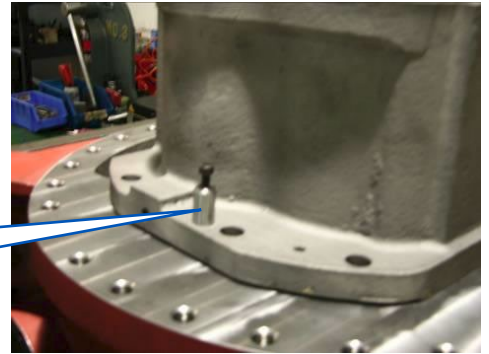


Step 2. Lift bearing seat and install it carefully on the compressor casing.



Step 3. Fix position pins in original positions at two ends of bearing seat by hammering it.

Position Pin

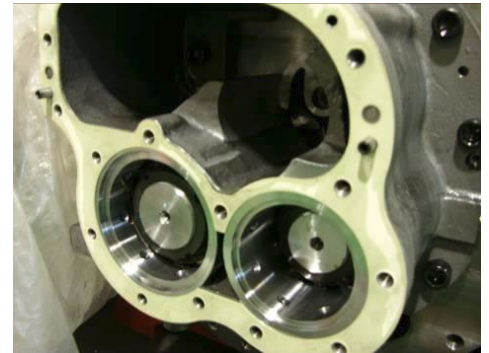


Step 4. Install all hexagonal screw bolts and tighten them with a torque wrench or hexagonal wrench.

Please also refer to the Appendix for torque setting to tighten bolts.



Step 5. Install discharge bearing fixed rings (male and female) and put on gasket.



Step 6. Apply some lubricant in discharge bearing fixed rings.



Step 7. Install disc springs.(male and female).



RC2-1020~RC2-1130



RC2-1270~RC2-1530



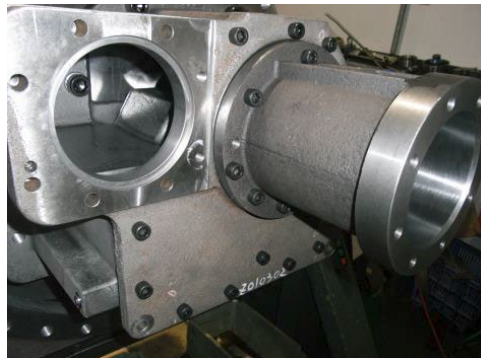
RC2-1270~RC2-1530



8.9. ASSEMBLE CYLINDER

Step 1. Install bearing seat cover module on the bearing seat.
Don't forget to use fixing pins before tighten all bolts.

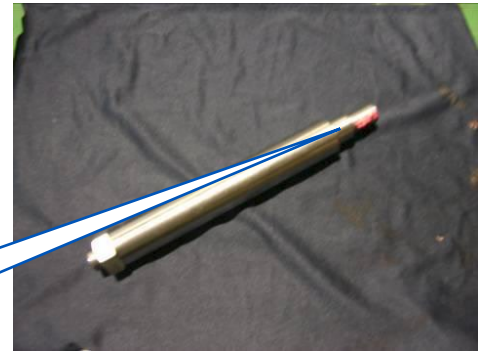
Step 2. Install a cylinder with a new gasket and tight all the bolts of cylinder by pneumatic tools.



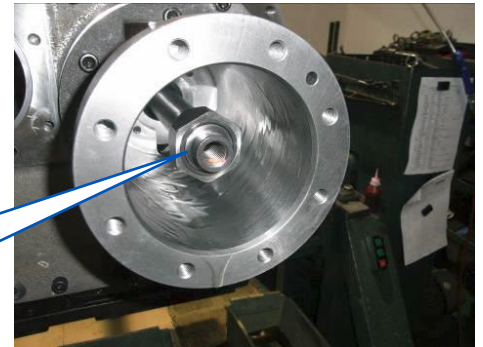
8.10. ASSEMBLE PISTON ROD AND PISTON

Step 1. Apply Loctite sealant on piston rod's screw and install it on the slide valve using a torque wrench with torque, 1000 kg-cm. Check again if motion of slide valve is smooth by moving piston rod forward and backward. Also, apply some lubricant in cylinder and put on copper washer.

Loctite Sealant



Push and pull piston rod to check if motion of slide valve is smooth.



Step 2. Apply some lubricant in cylinder.



Step 3. Apply some Loctite in the thread.



Step 4. Put on O-ring.



Step 5. Install first the piston O-ring, piston ring, and piston guide ring in the piston.

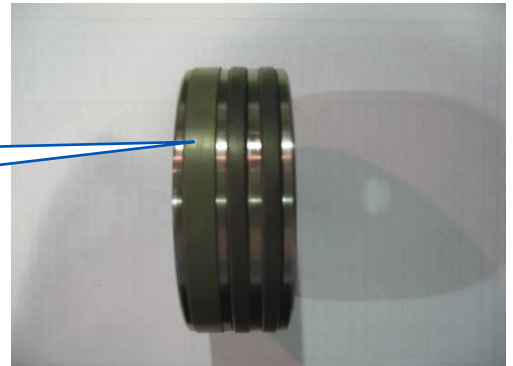
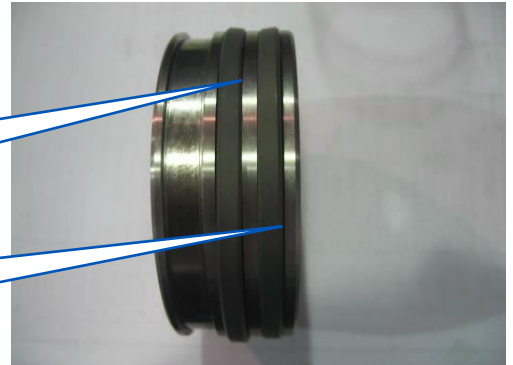
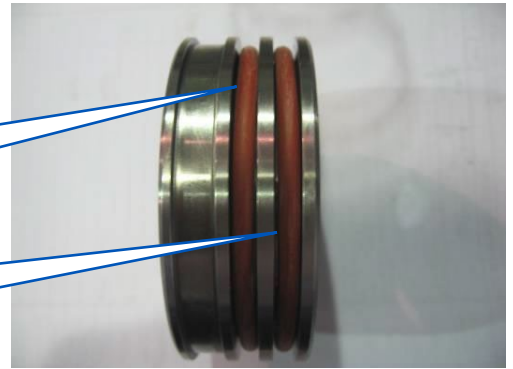
Piston O-ring

Piston O-ring

Piston O-ring

Piston O-ring

Piston Guide O-ring

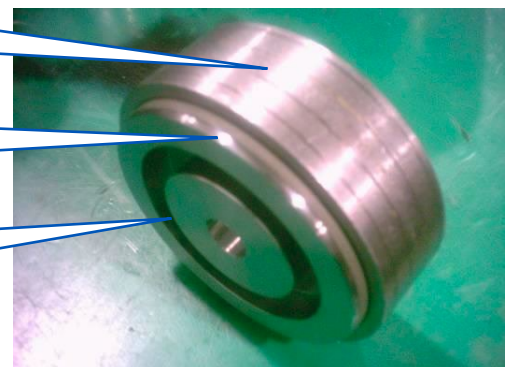


Step 6. Put the piston into piston press tool.

Press tool

Guide Ring

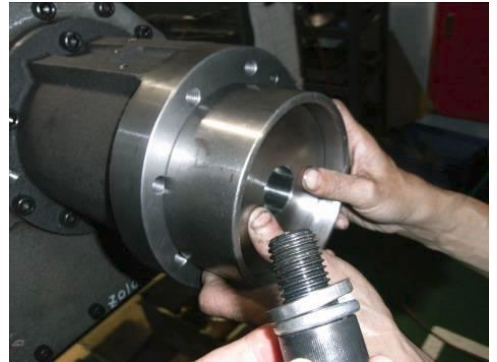
Piston



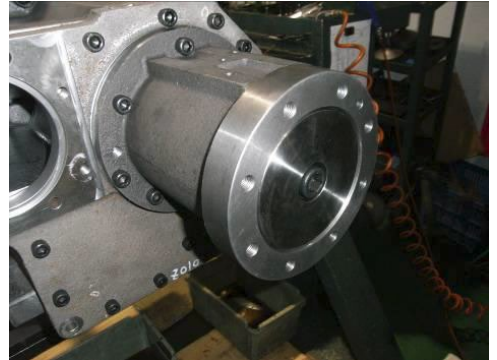
Step 5. Put in modulation spring inside cylinder firstly. The spring must fit into positioning groove in the end.



Step 6. Install piston and ensure that the spring is positioned by the groove on piston.



Step 7. Install the bolt with washer and spring washer on piston. Check motion of piston by pushing it to the end and release it. It should rebound at least 75% of its travel.



8.11. ASSEMBLE CYLINDER COVER PLATE

Step 1. Put on a new gasket.



Step 2. Put all hexagonal bolts and tighten them using a hexagonal wrench or torque wrench with torque, 1000 kg-cm.



RC2-1270~RC2-1530

NOTE: Please also refer to Appendix for torque setting to tighten bolts.



RC2-1020~RC2-1130

8.12. ASSEMBLE DISCHARGE EXHAUST TUBE AND DEMISTER

Step 1. Install discharge exhaust tube.



Step 2. Assemble demister module on bearing seat cover plate.



8.13. ASSEMBLE OIL SEPARATOR

Step 1. Use a overhead crane to lift the oil separator. When assemble oil separator, watch out demister to avoid any damage on it.



Step 2. Tighten all bolts on oil separator.



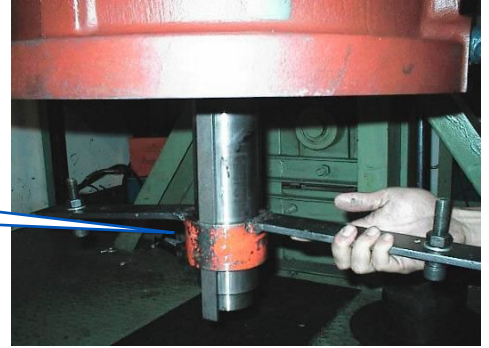
Chapter - 9 REPLACE MALE & FEMALE ROTORS AS WELL AS BEARINGS

NOTE: Please follow procedures in VII (VII-1~VII-2), VIII (VIII-1~VIII-3) and IX (IX-1~IX-6) first and then below steps.

9.1. DISMANTLE BEARING LOCK NUT

Step 1. Install male rotor fixing jig in the suction side of male rotor.

Male Rotor Fixing Jig



Step 2. Loosen bearing lock nut using lock nut tightening jig for male and female rotors.

Lock Nut Tightening Jig



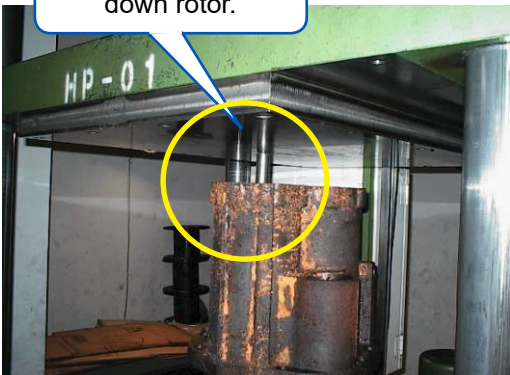
Step 3. Remove male rotor fixing jig and lift bearing seat slowly using an overhead crane.



9.2. DISMANTLE MALE AND FEMALE ROTORS

Step 1. Put a cylinder in hydraulic press machine and then put bearing seat assembly inside cylinder to take out male and female rotors.

Use steel bar to press down rotor.



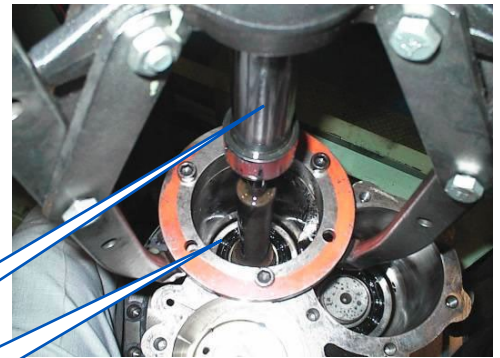
Cylinder

NOTE: ANOTHER WAY TO TAKE OUT MALE AND FEMALE ROTORS

Step 2. Use circular jig for loosening bearing (Please also refer to Appendix for jig list) and puller instead. First, install circular jig for loosening bearing on male or female bearing housing. Put a steel bar on the top of rotor shaft and install puller. Use steel bar to press down rotor shaft gradually when tightening puller.

Puller

Circular Jig for Loosening Bearing



9.3. DISMANTLE DISCHARGE AND SUCTION BEARINGS

Step 1. Remove outer rings of discharge bearings from the bearing seat first with hammer and jig.



Step 2. Remove inner rings of discharge bearings on male and female rotors. This can be done by heating inner rings with acetylene or by cutting inner rings with grinding wheel (be careful not to cut screw rotors). After cutting inner rings of discharge bearings, use a chisel and a hammer to take out inner rings.

Grinding Wheel



Step 3. Loosen bolts of suction bearing fixed ring (male) suction and take out bearings by hammering.



Step 4. Loosen the bolt over female suction bearing and take out female suction bearing by hammering



9.4. ASSEMBLE MALE AND FEMALE ROTORS AS WELL AS DISCHARGE BEARINGS

Step 1. Calculate necessary thickness of α balance piston and difference between inner& outer spacer and grind them to obtain adequate discharge clearance.

NOTE:

EQUATIONS: $D1-D2=C2-T2+0.12mm$
 $D\alpha\text{ balance}=C1-T1+0.12mm$

MALE AND FEMALE ROTORS

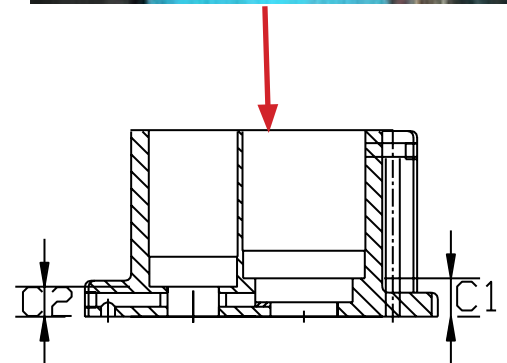
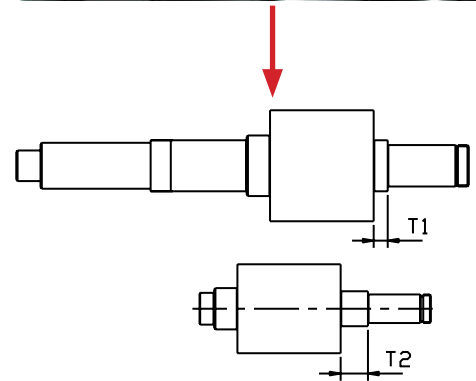
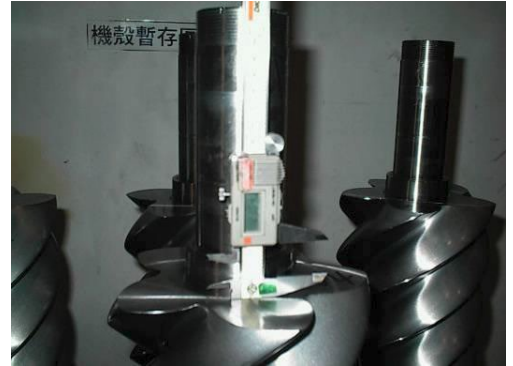
T1 height of male rotor neck

T2 height of female rotor neck

BEARING SEAT

C1 thickness of flange in male-rotor hole of bearing seat

C2 thickness of flange in female-rotor hole of bearing seat

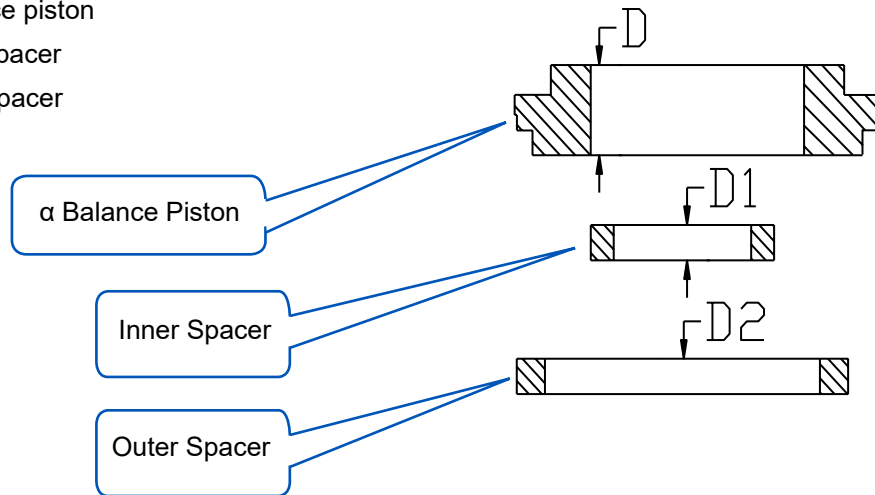


SPACER RING AND α BALANCE PISTON

D thickness of α balance piston

D1 thickness of inner spacer

D2 thickness of outer spacer



Steps as below

Inner & outer spacer and balancing piston are used to adjust discharge clearance of rotors.

Measure C1 & C2 by Vernier micrometer and T1 & T2 by Vernier caliper.

Calculate necessary thickness of α balance piston and difference between inner & outer spacer by the following formulae.

$$D_{\alpha \text{ balance}} = C1 - T1 + 0.12\text{mm}$$

$$D1 - D2 = C2 - T2 + 0.12\text{mm}$$

Grind α balance piston to necessary thickness calculated.

Grind inner & outer spacer to make sure they are of the same thickness before further grinding.

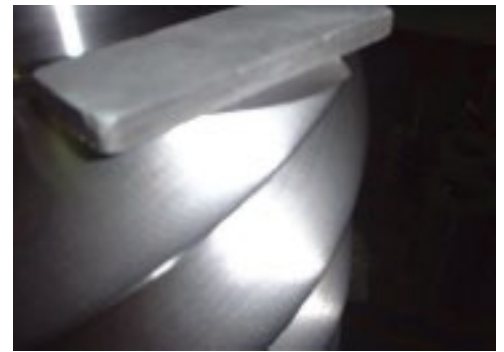
When $D1 - D2$ is positive, further grind thickness $|D1 - D2|$ from outer spacer.

When $D1 - D2$ is negative, further grind thickness $|D1 - D2|$ from inner spacer.

Step 2. Clean suction and discharge surfaces of male and female rotors with oilstone and grinding wheel.



Step 3. Install male rotor in the compressor casing, and then female rotor.



Step 4. Heat bearing inner rings (male and female) to 80 deg C before their installation.

Plate Heater



Step 5. Install bearing inner rings and inner spacer on discharge end of female rotor.

Radial Bearing Inner Ring

Inner Spacer



Step 6. Clean bearing seat with oilstone and grinding wheel to remove sharp edges.



Step 7. Install bearing outer rings and then outer spacer in female-rotor hole of bearing seat and hammer them to the end.

Outer Spacer

Radial Bearing Outer Ring



Step 8. Lift bearing seat with an overhead crane and put it on compressor casing.



Step 9. Install two position pins and hammer them.



Step 10. Install a balance piston on male rotor.

Protruding face upward



Flat face downward



Step 11. Install discharge bearing outer rings on male rotor and hammer them to the end.

Radial Bearing Outer Ring



Step 12. Install discharge bearing inner rings on male rotor. Wait for a few seconds for their cooling and hammer them to the end.

Radial Bearing Inner Ring



Step 13. Heat male and female axial bearings to 80°C.



Step 14. Install three axial bearings on male and female rotors respectively.

Direction of bearings: The first and second bearings with mark of part number downward; the third bearing with mark of part number upward.

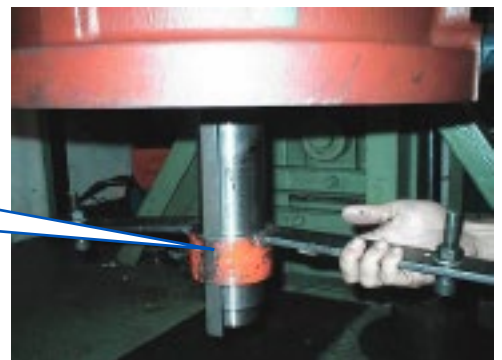
NOTE: Please refer to Table 2 in Appendix for types of bearings used for all models.

Direction of P/N mark on bearings:
1st downward
2nd downward
3rd upward



Step 15. Install male rotor fixing jig on the suction side of male rotor.

Male Rotor Fixing Jig



Step 16. Apply Loctite sealant on end screws of male and female rotors and install bearing lock nut.

Loctite Sealant





Step 17. Put on lock nut tightening jigs and tighten them with a torque wrench.
Please refer to the table below for torque setting.

Table for Torque Setting to tighten Lock Nut

MODEL	Torque Value (Kg-m)	
	Male	Female
RC2-100,RC2-140&RC2-180 25 16	25	16
RC2-170&RC2-200 32 20	32	20
RC2-230~RC2-370 45 25	45	25
RC2-410~RC2-510&RC2-580 60 38	60	38
RC2-550 &RC2-620 60 45	60	45
RC2-610&RC2-710~RC2-930 53 53	53	53
RC2-1020~RC2-1530 60 53	60	53



Step 18. Remove male rotor fixing jig and two position pins.



Step 19. Lift bearing seat assembly and check discharge clearance of between male/female rotors and bearing seat with a feeler gauge.

Please refer to the table below for discharge clearance between male/female rotor and bearing seat.



Table for discharge clearance between male/female rotor and bearing seat

Model Item	RC2-100,RC2-140&RC2-180	RC2-170&RC2-200	RC2-230~RC2-370	RC2-410~RC2-1530
Standard (mm)	0.04~0.07	0.04~0.08	0.04~0.09	0.04~0.1

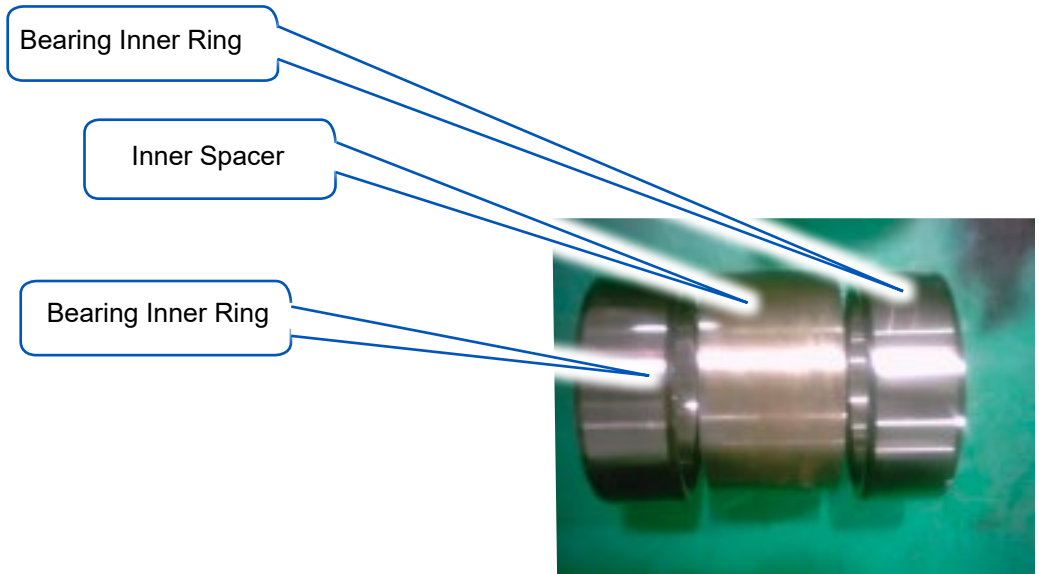
9.5. ASSEMBLE SUCTION BEARINGS

Step 1. Heat radial bearing inner rings (male and female) and inner spacer (male) to 80 °C.



Step 2. Install inner ring and inner spacer ring on male rotor.





Step 3. Use a chisel to mark on male rotor to prevent inner rings and inner spacer from moving.



Step 4. Install inner ring on female rotor.



Step 5. Install oil-guiding ring in male-rotor hole of compressor casing and hammer it to the end.



Step 6. Install the first suction radial bearing outer ring.

Trumpet-shaped jig for tightening suction bearing



Step 7. Install suction outer spacer and hammer it to the end.



Step 8. Install the second suction radial bearing outer ring.



Step 9. Apply Loctite sealant in holes for screw and install suction bearing fixed ring. Put all screw bolts and tighten them with a torque wrench or hexagonal wrench.

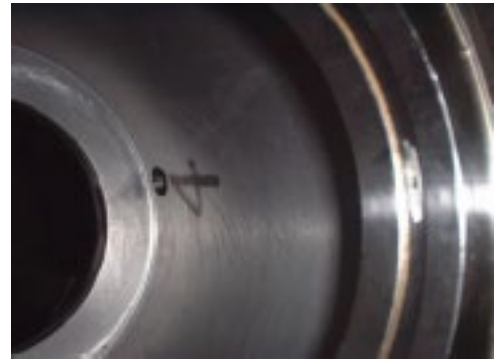
Please refer to Appendix for torque setting to tighten screw bolts.



Suction Bearing Fixed Ring



Step 10. Install oil-guiding ring in female-rotor hole of compressor casing and hammer it to the end.



Step 11. Install radial bearing outer ring.



Step 12. Apply Loctite sealant in hole for screw and tighten screw bolt with washer.

Screw Bolt with Washer



9.6. ASSEMBLE OIL SEPARATOR

NOTE: Before assembling oil separator, assemble bearing sea first. Please follow procedures in VIII (VIII-5~VIII-7) for RC2-100~RC2-930 and IX (IX-7~IX-13) for RC2- 1020~RC2-1530.

Step 1. Clean flange of separator with oilstone and wipe it with a piece of cloth or rag.



Step 2. Put new Teflon gasket in the exhaust tube of bearing seat.

Teflon Gasket



Step 3. Install two screw rods on compressor casing and then install oil separator gasket.



Step 4. Install oil separator and put on all screw bolts and tighten them with a torque wrench or hexagonal wrench.

Please refer to Appendix for torque setting to tighten screw bolts.

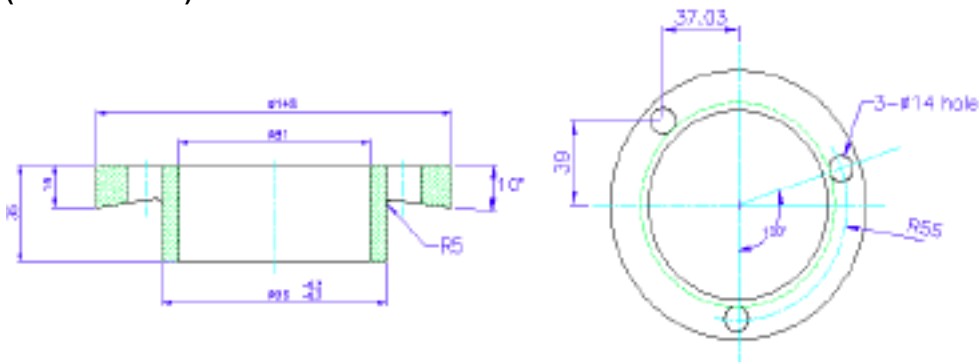


Chapter - 10 APPENDIX

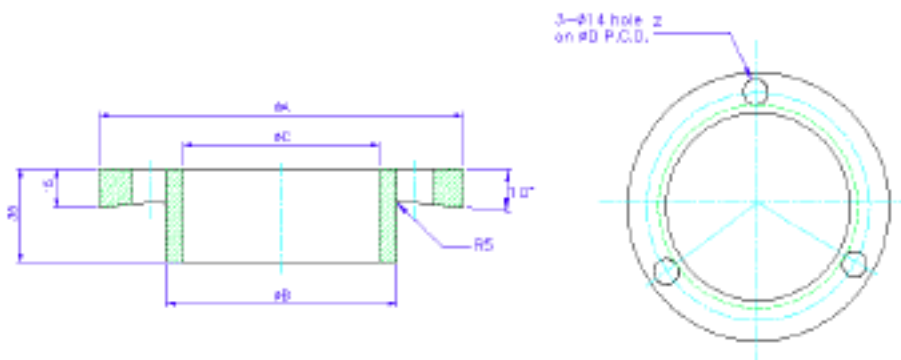
TABLE 1. LIST OF SPECIAL TOOLS

Item	Tools Name
1	Circular Jig for Loosening Discharge Bearings (RC2-230~RC2-370 Female)
2	Circular Jig for Loosening Discharge Bearings
3	Circular Jig for Loosening Discharge Bearings (RC2-170&RC2-200 Male)
4	Circular Jig for Loosening Discharge Bearings (RC2-170&RC2-200 Female)
5	Trumpet-shaped Jig for Tightening Suction Bearings
6	Trumpet-shaped Jig for Tightening Discharge Bearings
7	Male Rotor Fixing Jig (RC2-100~RC2-930)
8	Tightening Jig for Discharge Bearing Inner Ring
9	Jig for Loosening Discharge Bearing from Bearing Seat
10	Jig for Loosening Suction Bearing from Compressor Casing
11	Tightening Jig for Bearing Lock Nut (Male)
12	Tightening Jig for Bearing Lock Nut (Female)
13	Press Tool for Piston Assembly (RC2-100~RC2-930)
14	Jig for Position Pin

**1. Circular Jig for Loosening Discharge Bearings (RC2-230~RC2-370 Female)
(B312-0014-05)**

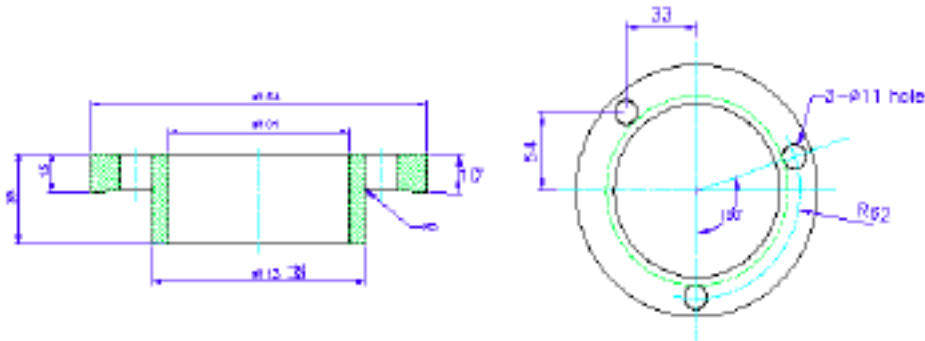


2. Circular Jig for Loosening Discharge Bearings (RC2-230~RC2-930)

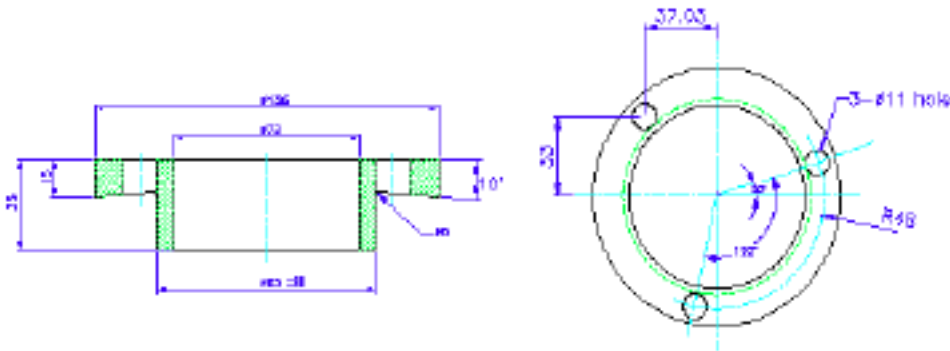


Item Number	Model	ΦA	ΦB	ΦC	ΦD (P.C.D)
B312-0014-00	RC2-230~RC2-370 Male	188	136	122	150
B312-0014-01	RC2-410~RC2-580 Male	202	150	141	164
B312-0014-02	RC2-410~RC2-580 Female	162	110	101	124
B312-0014-03	RC2-610~RC2-930 Male	192	140	132	154
B312-0014-04	RC2-610~RC2-930 Female	182	130	122	144

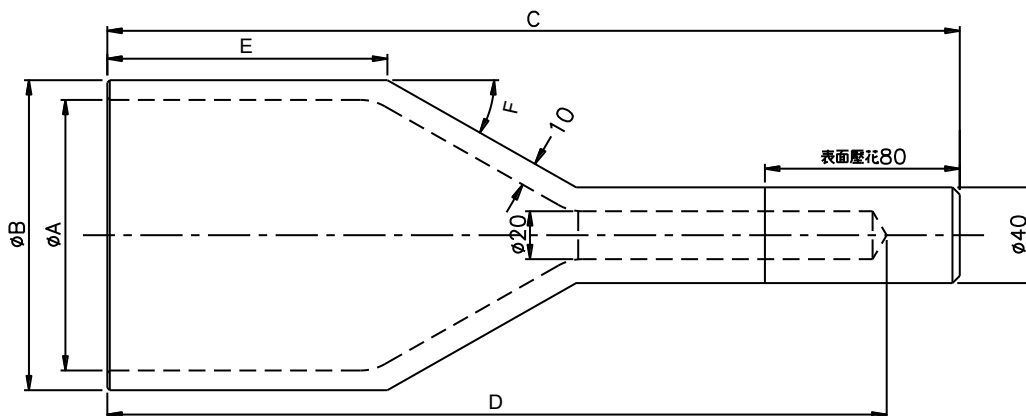
**3. Circular Jig for Loosening Discharge Bearings (RC2-170&RC2-200 Male)
(B312-0014-06)**



**4. Circular Jig for Loosening Discharge Bearings (RC2-170&RC2-200 Female)
(B312-0014-07)**

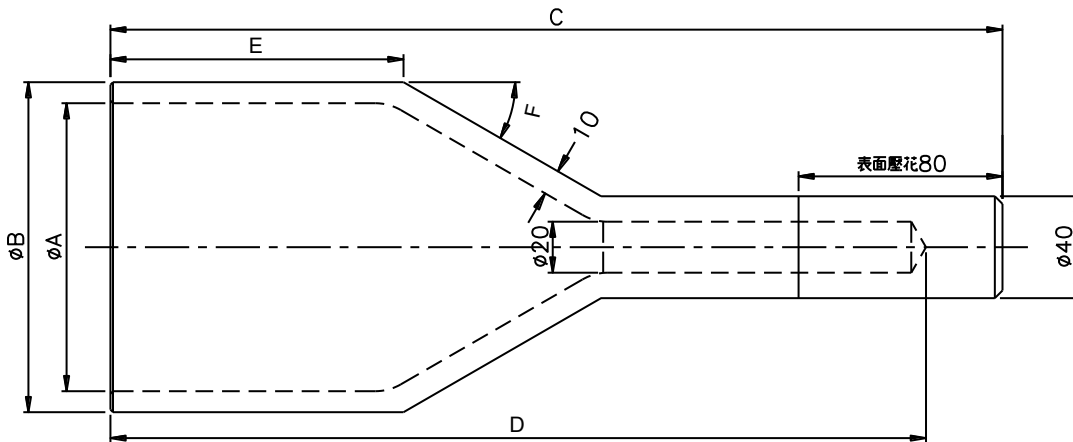


5. Trumpet-shaped Jig for Tightening Suction Bearings



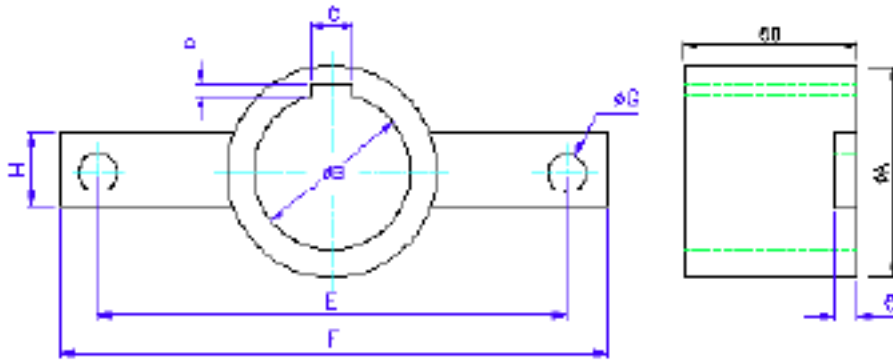
Item Number	Model	ΦA	ΦB	C	D	E	F°
B312-0090-00	RC2-100,RC2-140&RC2-180 Male	55	71.5	230	200	20	30°
B312-0090-11	RC2-100,RC2-140&RC2-180 Female	33	44.5	300	120	20	30°
B312-0090-04	RC2-170&RC2-200 Male	83	99.5	260	230	105	45°
B312-0090-01	RC2-170&RC2-200 Female	46	61.5	230	200	20	30°
B312-0090-15	RC2-230~RC2-370 Male	103	119.5	250	220	20	45°
B312-0090-00	RC2-230~RC2-370 Female	55	71.5	230	200	20	30°
B312-0090-16	RC2-410~RC2-580&RC2-620 Male	123	139.5	170	140	20	60°
B312-0090-03	RC2-410~RC2-930 Female	75	89.5	250	220	20	30°
B312-0090-09	RC2-610&RC2-710~RC2-930 Male	133	149.5	170	140	20	45°
B312-0090-10	RC2-1090~RC2-1520 Male	170	189.5	150	120	20	60°
B312-0090-05	RC2-1090~RC2-1520 Female	93	109.5	260	230	20	30°

6. Trumpet-shaped Jig for Tightening Discharge Bearings



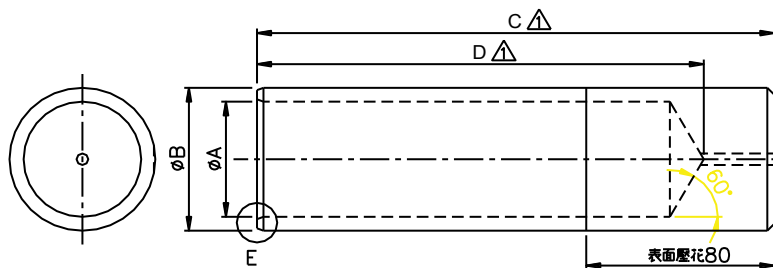
Item Number	Model	ΦA	ΦB	C	D	E	F°
B312-0090-02	RC2-100,RC2-140&RC2-180 Male	63	79.5	250	220	80	30°
B312-0090-13	RC2-100~RC2-200 Female	55	71.5	230	200	75	30°
B312-0090-04	RC2-170&RC2-200 Male	83	99.5	260	230	105	45°
B312-0090-06	RC2-230~RC2-370 Male	103	119.5	340	310	115	45°
B312-0090-02	RC2-230~RC2-370 Female	63	79.5	250	220	80	30°
B312-0090-08	RC2-410~RC2-580&RC2-620 Male	123	139.5	280	250	135	60°
B312-0090-04	RC2-410~RC2-580 Female	83	99.5	260	230	105	45°
B312-0090-07	RC2-610&RC2-710~RC2-930 Male	113	129.5	350	320	115	45°
B312-0090-06	RC2-610~RC2-930 Female	103	119.5	340	310	115	45°
B312-0090-08	RC2-1090~RC2-1520 Male&Female	123	139.5	280	250	135	60°

7. Male Rotor Fixing Jig



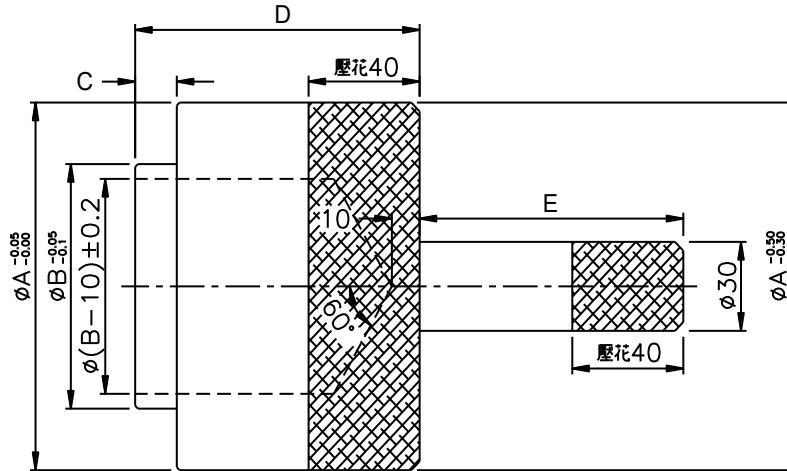
Item Number	Model	A	B	C	D	E	F	G	H
B312-0008-10	RC2-100,RC2-140&RC2-180	70	49	12.5	5	293	343	13	45
B312-0008-11	RC2-170&RC2-200	70	50	12.3	4	380	420	14	30
B312-0008-12	RC2-230~RC2-370	80	60	12.3	4	436	470	18	40
B312-0008-13	RC2-410~RC2-580&RC2-620	94	74	12.3	4	475	520	18	50
B312-0008-14	RC2-610&RC2-710~RC2-930	105	83	22.3	6	516	550	18	55

8. Tightening Jig for Discharge Bearing Inner Ring



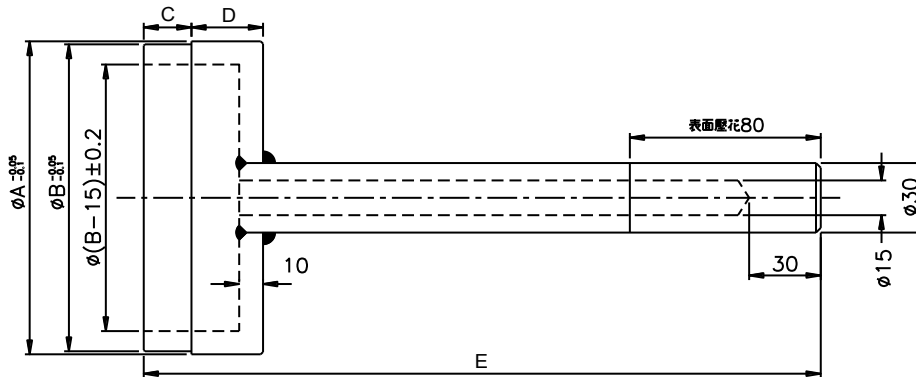
Item Number	Model	ΦA	ΦB	C	D
B312-0088-01	RC2-100,RC2-140&RC2-180 Male	35	47	200	170
B312-0088-00	RC2-100~RC2-200 Female	30	42	170	140
B312-0088-02	RC2-170&RC2-200 Male	45	57	210	180
B312-0088-04	RC2-230~RC2-370 Male	55	67	200	170
B312-0088-01	RC2-230~RC2-370 Female	35	47	200	170
B312-0088-07	RC2-410~RC2-580&RC2-620 Male	65	77	260	225
B312-0088-02	RC2-410~RC2-510&RC2-580 Female	45	57	210	180
B312-0088-03	RC2-550&RC2-620 Female	50	62	220	190
B312-0088-06	RC2-610&RC2-710~RC2-930 Male	60	72	315	280
B312-0088-05	RC2-610&RC2-710~RC2-930 Female	55	67	305	270
B312-0088-07	RC2-1090~RC-1520 Male&Female	65	77	260	225

9. Jig for Loosening Discharge Bearings from Bearing Seat



Item Number	Model	ΦA	ΦB	C	D	E
B312-0034-02	RC2 -100 ,RC2 -140 &RC2 -180 Female	41.5	40.5	10	100	-
B312-0034-03	RC2-100,RC2-140&RC2-180 Male	58	46.2	10	100	-
B312-0034-04	RC2-170&RC2-200 Female	42	40.5	10	120	-
B312-0034-05	RC2-170&RC2-200 Male	55	55	-	100	-
B312-0034-06	RC2-230~RC2-370 Female	51.8	46.2	10	120	-
B312-0034-07	RC2-230~RC2-370 Male	69.8	69.8	-	100	-
B312-0034-08	RC2-410~RC2-510&RC2-580 Female	61.8	58.5	10	120	-
B312-0034-09	RC2-410~RC2-580&RC2-620 Male	89.8	82.5	10	40	80
B312-0034-10	RC2-550&RC2-610~RC2-930 Female	65.8	65	10	120	-
B312-0034-11	RC2-610&RC2-710~RC2-930 Male	74.8	74.8	-	40	80
B312-0034-12	RC2-1090~RC2-1520 Female	89.8	82.5	15	65	70
B312-0034-13	RC2-1090~RC2-1520 Male	123.8	82.5	15	65	70

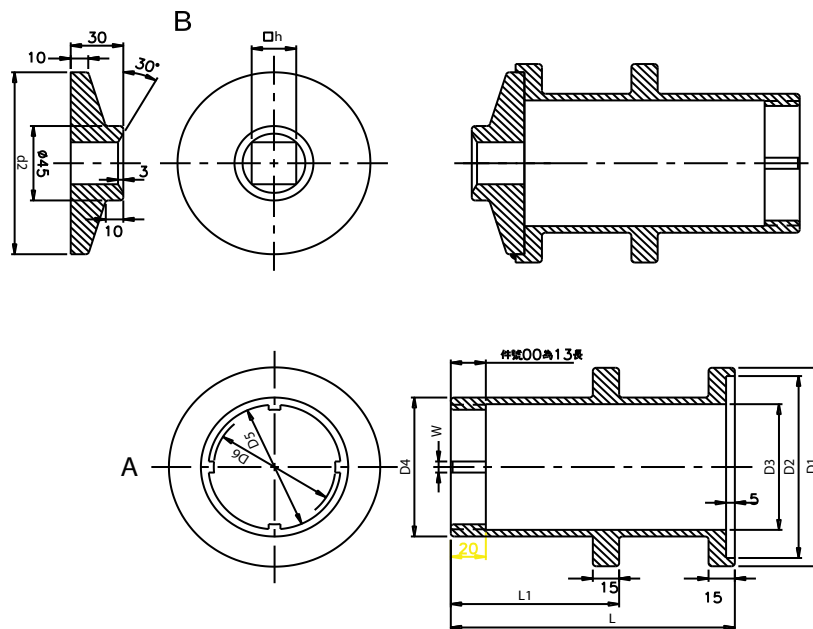
10. Jig for Loosening Suction Bearings from Compressor Casing



Item Number	Model	ΦA	ΦB	C	D	E
B312-0038-02	RC2 -100 ,RC2 -140 &RC2 -180 Female	41.9	35	15	25	200
B312-0038-03	RC2-100,RC2-140&RC2-180 Male	66.9	60	15	25	260

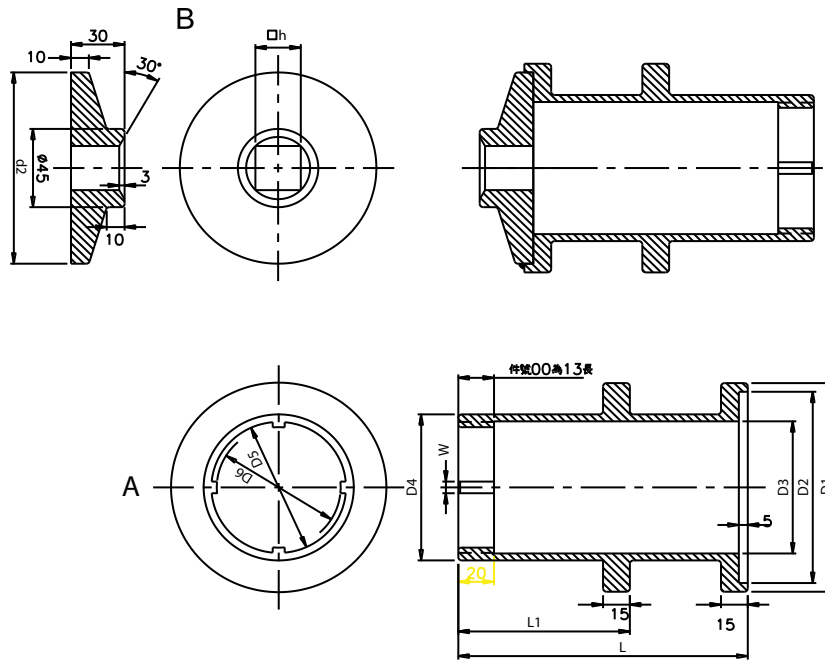
B312-0038-04	RC2-170&RC2-200 Female	43.4	42.1	15	25	190
B312-0038-05	RC2-170&RC2-200 Male	72.4	70.1	15	25	260
B312-0038-06	RC2-230~RC2-370 Female	51.9	50.1	15	25	220
B312-0038-07	RC2-230~RC2-370 Male	85.9	84.1	15	25	320
B312-0038-08	RC2-410~RC2-580&RC2-620 Female	65.9	65.1	15	30	260
B312-0038-09	RC2-410~RC2-580&RC2-620 Male	97.9	95.4	15	30	360
B312-0038-10	RC2-610&RC2-710~RC2-930 Female	69.9	60.1	15	30	380
B312-0038-11	RC2-610&RC2-710~RC2-930 Male	104.9	101.4	15	30	450
B312-0038-12	RC2-1090~RC2-1520 Female	84.9	65	20	30	480
B312-0038-13	RC2-1090~RC2-1520 Male	129.9	113.5	20	30	480

11. Tightening Jig for Bearing Lock Nut (Male)



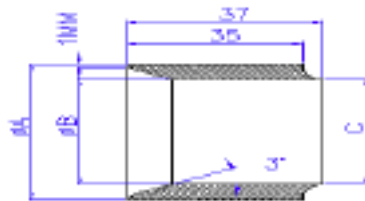
Item Number	Model	ΦD1	ΦD2	ΦD3	ΦD4	ΦD5	ΦD6	W	L1	L	Φd2	h
B312-0091-02	RC2-100,RC2-140&RC2 -180	80	61	53	63	52.3	48.3	4.7	0	33	61	19.2
B312-0091-04	RC2-170&RC2-200	100	74	66	76	65.3	60.3	5.7	33	48	74	19.2
B312-0091-06	RC2-230~RC2-370	121.5	84	76	86	75.3	69.3	6.7	31	56	84	19.2
B312-0091-08	RC2-410~RC2-510&RC2-580	140	94	86	96	85.3	79.3	6.7	29	57	94	25.4
B312-0091-10	RC2-550&RC2-620	140	94	86	96	85.3	79.3	6.7	0	73	94	25.4
B312-0091-12	RC2-610&RC2-710~RC2-930	130.5	89	81	91	80.3	74.3	6.7	102	168	89	25.4
B312-0091-14	RC2-1090~RC2-1520	140	94	86	96	85.3	79.3	6.7	62	96	94	25.4

12. Tightening Jig for Bearing Lock Nut (Female)



Item Number	Model	$\Phi D1$	$\Phi D2$	$\Phi D3$	$\Phi D4$	$\Phi D5$	$\Phi D6$	W	L1	L	$\Phi d2$	h
B312-0091-03	RC2 -100 ,RC2-140& RC2 -180	72	54	46	56	45.3	41.3	4.7	0	52	54	19.2
B312-0091-05	RC2-170&RC2-200	72	54	46	56	45.3	41.3	4.7	49	64	54	19.2
B312-0091-07	RC2-230~RC2-370	80	61	53	63	52.3	48.3	4.7	52	77	61	19.2
B312-0091-09	RC2-410~RC2-510&RC2-580	100	74	66	76	65.3	60.3	5.7	47	75	74	19.2
B312-0091-11	RC2-550&RC2-620	110	79	71	81	70.3	65.3	5.7	0	84	79	19.2
B312-0091-13	RC2-610&RC2-710~RC2-930	120.5	84	76	86	75.3	69.3	6.7	96	162	84	25.4
B312-0091-15	RC2-1090~RC2-1520	140	94	86	96	85.3	79.3	6.7	80	114	94	25.4

13. Press Tool for Piston Assembly



Model	Item Number	A	B
RC2 -100,RC2- 140& RC2 -180	B312 -0019 -04	75	65
RC2 -170& RC2 -200	B312- 0019 -01	100	90
RC 2-230~RC2-370	B312- 0019 -02	110	100
RC2 -410~RC2-930	B312- 0019 -03	130	120

14. Jig for Position Pin



TABLE 2. LIST OF BEARINGS

MODEL	BEARING TYPE (DISCHARGE)				BEARING TYPE (SUCTION)			
	MALE	QTY.	FEMALE	QTY.	MALE	QTY.	FEMALE	QTY.
RC2-100,140,180	7307BUO	3	7306BUO	3	NKI55/35	1	NKI30/30	1
	NU307E	1	NU2306E	1				
RC2-170,200	7309BUO	3	7306BUO	3	NU2211E	2	NJ2206E	1
	NU309E	1	NU2306E	1				
RC2-230~370	7311BUO	3	7307BUO	3	NU2213E	2	NJ2207E	1
	NU311E	1	NU2307E	1				
RC2-410~510,580	7313BUO	3	7309BUO	3	NU2216E	2	NJ2210E	1
	NU313E	1	NU2309E	1				
RC2-550,620	7313BUO	3	7310BUO	3	NU2216E	2	NJ2210E	1
	NU313E	1	NU2310E	1				
RC2-610~930	7312BUO	3	7311BUO	3	NU2217E	2	NJ2308E	1
	NU312E	1	NU2311E	1				
RC2-1090~1520	7313BUO	3	7313BUO	2	NU2318E	1	NJ2310E	1
	NU313E	1	NU2313E	1				

TABLE 3. STANDARD OF MOTOR INSULATION

To the ground				Phase to Phase			Phase to Sensor terminal		
U	V	W	Sensor terminal	U-Z	V-X	W-Y	U	V	W
Should be more than 100 MΩ									

(under 2000MΩ and 1000VDC)

TABLE 4. TORQUE SETTING TO TIGHTEN COMPRESSOR ACCESSORIES

Accessory and Type of Bolt	Torque Value (Kg-cm)	
	Applicable Range	Setting Value
Terminal cover plate screw bolt M12	300 ~ 1,500	900
Oil filter flange M12	250 ~ 1,500	850
Service flange M12	260 ~ 1,500	850
1 ½" flange M16	200 ~ 1,000	1,000
2 ½" flange M16	400 ~ 2,000	1,000
3" flange M20	550 ~ 2,500	2,000
4" flange M20	800 ~ 3,000	2,000
Sight glass P1, P3 plug		200

TABLE 5. TORQUE SETTING TO TIGHTEN OTHER SCREW BOLTS

Type of Bolt	Torque Value (Kg-cm)	
	Applicable Range	Setting Value
M6	90 ~ 120	100
M8	220 ~ 290	250
M10	430 ~ 580	500
M12	750 ~ 1700	1,000
M16	1,100 ~ 3,400	2,000
M20	1,800 ~ 4,200	3,800

TABLE 6. CLEARANCE BETWEEN SLIDE VALVE AND SLIDE VALVE HOUSING

Model	RC2-170~RC2-200	RC2-230~RC2-300	RC2-410~RC2-580&RC2-620	RC2-610&RC2-710~RC2-930
Tolerance (mm)	0.025~0.055	0.03~0.06	0.04~0.07	0.04~0.07

Chapter - 11 RECOMMENDED MAINTENANCE SCHEDULE

Factory recommends that the oil filter cartridge should be checked and cleaned at 24 hours after startup. Then checked or replaced at 10,000 hours then every 10,000 of run time.

It is important that the oil filter cartridge is not clogged; it might result in the malfunction of the lubrication systems, bearings and capacity control system.

Recommended Maintenance Schedule

Check Point	Running Period								
	24 hrs.	1000 hrs.	2500 hrs.	5000 hrs.	10000 hrs.	15000 hrs.	20000 hrs.	25000 hrs.	30000 hrs.
Motor Insulation					O		O		O
Oil Filter Cartridge	O				O		O		O
Suction Filter	O								O
Piston Rings				O	O	O	O	O	O/△
Oil Level	O	O	O	O	O	O	O	O	O
Oil Change	O		O		△		△		△
Discharge PTC				O	O	O	O	O	O
Bearings					O		O		O/△

O Check or Clean, △ Replace

Note:

This is an estimated schedule to keep the compressor running at its highest efficiency and avoid compressor breakdown, not a basis for any claim. The appropriate running period for each checkpoint will vary from working conditions, applications, control logics, refrigerant, lubricant, etc. Please contact Hanbell or local distributors/agents for more details.

Replacement of piston rings and bearings should be performed by HANBELL authorized technicians.

Every 5000hrs, please ensure the chiller unit keeps its target temperature when discharge superheat is between 10°C and 20°C; Please check vibration level of bearings in compressor every 10000hrs.

Oil Change; use only Hanbell authorized HBR lubricant and do not mix different brands of the oil together. Oil remaining in the compressor and system should be totally evacuated prior to changing the oil. It may be necessary to change the compressor oil a second time to ensure that there is no oil mix.

It is critical to change the oil after a motor burned out because acid and debris may still remain inside the system. Check acidity of the oil after several hours of operation and continue to perform periodic oil / filter-dryer changes until acidity drops to an acceptable level.

If the burn out is severe, a suction-line filter/dryer and an oversized liquid-line drier should be installed. The filters should be monitored and replaced if a pressure drop across them is observed. Filters should be replaced until acidity drops to an acceptable level at which time the suction-line filter can be removed.

Weekly Preventive Maintenance

- Check oil level and color
- Check the operation of oil heater and solenoid coil

Perform weekly preventive maintenance

- Check compressor suction pressure
- Check compressor discharge pressure
- Check entering water temperature
- Check leaving water temperature
- Measure ambient temperature
- Check compressor amp.

Monthly Preventive Maintenance

Chapter - 12 RC2 COMPRESSOR PART LIST & DRAWINGS

12.1. RC2-100 Screw Compressor Part List

Item	Part NO	Description	Specification	Amount
A-Rotor & Bearing Seat				
A1	3131-1131BE	Bearing Seat		1
A2	3130-1132CE	Male Screw Rotor		1
A3	3130-1133BE	Female Screw Rotor		1
A4	3130-1023A	Motor Rotor Key		1
A5-1	3181-00311A-SH	Motor Rotor Assembly (Motor A)		1
	3181-00321A-SH	Motor Rotor Assembly (Motor B)		1
A5-2	3130-1032A	Motor Rotor Spacer (Motor A)		1
	3107-1035A	Motor Rotor Spacer (Motor B)		1
A5-3	3101-1017A	Motor Rotor Washer		1
A5-4	4303-316	Spring Washer	M16	1
A5-5	4301-116045	Bolt (Motor A)	M16*45L	1
	4301-116060	Bolt (Motor B)	M16*60L	1
A6-1	4102-NU307E	Discharge Radial Bearing (Male)		1
A6-2	3103-113AA	Outer Spacer (Male)		1
A6-3	3103-1137B	Inner Spacer (Male)		1
A6-4	4101-7307BUO	Discharge Axial Bearing (Male)		3
A6-5	4302-235	Bearing Lock Nut		1
A6-6	3131-1109A	Discharge Bearing Fixed Ring (Male)		1
A6-7	4307-DB080	Disc Spring		1
A7-1	4102-NU2306E	Discharge Radial Bearing (Female)		1
A7-2	3101-113AA	Outer Spacer (Female)		1
A7-3	3101-1137B	Inner Spacer (Female)		1
A7-4	4101-7306BUO	Discharge Axial Bearing (Female)		2
A7-5	4302-230	Bearing Lock Nut		1
A7-6	3131-1111A	Discharge Bearing Fixed Ring (Female)		1
A7-7	4307-DB071	Disc Spring		1
A8-1	3131-1101AE	Discharge Cover Plate		1
A8-2	3131-1103AB	Discharge Cover Plate Gasket		1
A8-3	4301-108025	Bolt	M8*25L	11
A9-1	4301-110025	Bolt	M10*25L	1
A9-2	4303-310	Spring Washer	M10	1
A9-3	3131-1037A	Washer		1
A9-4	4202-T065	Piston Ring		1
A9-5	4201-CA328	O-Ring		1
A9-6	3131-1119BA	Guide Ring		1
A9-7	3131-1116A	Piston		1
A9-8	4303-414	Copper Washer		1
A9-9	3131-1115AC	Piston Rod		1
A9-10	3131-1113A	Modulation Spring		1
A10	3131-1008A	Exhaust Tube Gasket		1
A11	3502-1102A	Position Pin		2
A12	4301-112040	Bolt	M12*40L	8
B-Compression Casing				
B1	3130-1141GA	Compression Casing		1
B2	3131-1002AB	Motor Casing Gasket		1
B3-1	3131-1152BA-A	Oil Level Switch Flange	Standard	1
	3131-1147BA	Gasket		2
B3-2	3131-116AC	Damper Shield		1
	4405-61	Oil Level Switch		1
B3-4	4201-VP008	O-Ring		1
	4201-VP021	O-Ring		1
B3-7	3131-1149A	Oil Level Switch Fitting		1
B3-8	4806-27	Cable Connector		1
	4301-112080	Bolt	M12*80L	4
B4-1	4304-106A	Angle Valve		1
B4-2	4302-303	Bonnet		1
B4-3	4302-301	Nut		1
B5-1	3131-2102A	Motor Stator Fixed Pin		1
B5-2	4201-VP021	O-Ring		1
B6-1	4304-102A	Connector		1
B6-2	4302-303	Bonnet		1

Item	Part NO	Description	Specification	Amount
B6-3	4302-301	Nut		1
B7-1	3131-1080CD	Terminal Cover Plate (PTC+PT100/1000)		1
B7-2	3131-1006BB	Terminal Cover Plate Gasket		1
B7-3	4301-112040	Bolt	M12*40L	6
B7-4	3131-1014C	Terminal Box Gasket		1
B8-1	3131-1012CC	Terminal Box		1
B8-2	3131-1013AC	Terminal Box Cover		4
B8-3	4806-33	Terminal Box Hole Stopper		4
B8-4	3101-1007A	Terminal Box Flange Gasket		1
B8-5	3101-1021B	Terminal Box Flange		1
B8-6	4301-508016	Bolt	M8*16L	4
B8-7	4301-508016	Bolt	M8*16L	4
B9	4301-908012	Bolt	M8*12L	3
B10-1	3132-1250BA	Economizer Port Flange		1
B10-2	3132-1252B	Economizer Port Flange Shield		1
B10-3	3132-1151AA	Economizer Port Flange Gasket		1
B10-4	4301-110035	Bolt	M10*35L	2
B11-1	4401-38	Solenoid Valve (NC)	Standard	1
	4401-39	Solenoid Valve (NO)	Optional	1
B11-1-1	4401-38	Solenoid Valve (NC)		2
B11-1-2	3161-1168AA	Orifice	Optional	1
	4402-14	Solenoid Valve Coil	220V	2
B11-2	4402-15	Solenoid Valve Coil	110V	2
	3101-1003BA-A	Solenoid Valve Gasket		4
B11-4	4301-804012	Bolt	M4*12L	8
B11-4-1	4301-804016	Bolt	M4*20L	4
B11-5	3101-1039C	Cover Plate		1
B12-1	4405-81	Motor Protector INT 69 HBY		1
B12-2	4301-804025	Bolt	M4*25L	2
	4303-104	Washer		2
B12-4	4303-304	Spring Washer		2
B12-5	4302-104	Nut		2
B13-1	4301-108016	Bolt	M8*16L	1
	4303-308	Spring Washer		1
B13-3	4303-108	Washer		1
B14	4103-NKI55/35	Suction Radial Bearing (Male)		1
B15	4103-NKI30/30	Suction Radial Bearing (Female)		1
B16-1	3131-1108A	Suction Bearing Fixed Ring (Male)		1
B16-2	4301-106016	Bolt	M6*16L	4
B17-1	3181-XX31XA-SH	Motor Stator Assembly (Motor A)		1
	3181-XX32XA-SH	Motor Stator Assembly (Motor B)		1
B17-2	3131-2105AB	Copper Sleeve		1
B18-1	3131-1169A	Oil Cooler Connector Cover		1
B18-2	3131-1167AA	Oil Cooler Connector Cover Gasket		1
B18-3	4301-110030	Bolt	M10*30L	6
B19-1	3131-1142A	Service Flange		1
B19-2	3131-1147BA	Oil Filter Flange Outer Gasket		1
B19-3	3131-1144A	Oil Filter Flange		1
B19-4	3101-1146A	Oil Filter Flange Inner Gasket		1
B19-5	3101-1143C	Oil Filter		1
B19-6	4301-112035	Bolt	M12*35L	4
B20-1	3101-1145E	Capillary		1
B20-2	4304-101A	Elbow		2
B20-3	3131-1168A	Plug	1/8"NPT,φ1.2	1
B21-1	3131-1153A	Plug		1
B21-2	4201-VA016	O-Ring		1
B22-1	3130-1112A	Slide Valve	Vi=2.6	1
	3130-1212A	Slide Valve	Vi=3.5	1
	3130-1412A	Slide Valve	Vi=3.0	1
	3130-1512B	Slide Valve	Vi=2.2	1
B22-2	3101-1114A	Slide Valve Key		1
B22-3	4301-106016	Bolt	M6*16L	1
C-Oil Separator				
C1	3131-1800GB	Oil Separator Assembly		1
C2	3131-1001AA	Oil Separator Gasket		1

Item	Part NO	Description	Specification	Amount
C3-1	4804-17	Sight Glass		1
C3-2	4201-VA024	O-Ring		1
C4	4305-107AA	Plug		1
C5-1	3101-1051CC	Oil Heater	220V,150W	1
	3101-1052CC	Oil Heater	220V,300W	1
	3101-0951CC	Oil Heater	110V,150W	1
	3101-0952CC	Oil Heater	110V,300W	1
C5-2	4806-28	Cable Connector		1
C5-3	5108-09	Plastic Corrugated Tube		1
C6	4305-105	Plug		1
C7	4405-97	Discharge Temperature Sensor		1
C8	4305-105	Plug		1
C9-1	4304-106A	Angle Valve		1
C9-2	4302-303	Bonnet		1
C9-3	4302-301	Nut		1
C10-1	3188-7100C	Check Valve		1
C10-2	3101-1005AD	Discharge Flange Gasket		2
C10-3	4201-NP065	O-Ring		1
C10-4	3101-1015A	Flange Shield		1
C10-5	3101-1019BC	Discharge Flange		1
C10-6	4301-116055	Bolt	M16*55L	4
C10-7	4301-116040	Bolt	M16*40L	4
C11	4301-112045	Bolt	M12*45L	20
D-Motor				
D1	3131-2201B	Motor Cover		1
D2-1	4304-114A	Connector		1
D2-2	4302-312	Bonnet		1
D2-3	4302-311	Nut		1
D3	4304-201A	Charging Valve		1
D4-1	4304-106A	Angle Valve		1
D4-2	4302-303	Bonnet		1
D4-3	4302-301	Nut		1
D5-1	3131-1024BC	Suction Filter		1
D5-2	3131-1004AA	Gasket		2
D6-1	3188-8700A	Suction Stop Valve		1
D6-2	3131-1004AA	Gasket		1
D6-3	4201-NP080	O-Ring		1
D6-4	3134-1015A	Flange Shield		1
D6-5	3131-1019AC	Suction Flange		1
D6-6	4301-116055	Bolt	M16*55L	4
D6-7	4301-116120	Bolt	M16*120L	4
D7	4301-112045	Bolt	M12*45L	16

12.2. RC2-140 Screw Compressor Part List

Item	Part NO	Description	Specification	Amount
A-Rotor & Bearing Seat				
A1	3131-1131BE	Bearing Seat		1
A2	3131-1132BE	Male Screw Rotor		1
A3	3131-1133BD	Female Screw Rotor		1
A4	3131-1023A	Motor Rotor Key		1
A5-1	3181-00321A-SH	Motor Rotor Assembly (Motor A)		1
	3181-00331A-SH	Motor Rotor Assembly (Motor B)		1
A5-2	3130-1032A	Motor Rotor Spacer (Motor A)		1
	3101-103CA	Motor Rotor Spacer (Motor B)		1
A5-3	3101-1017A	Motor Rotor Washer		1
A5-4	4303-316	Spring Washer	M16	1
A5-5	4301-116045	Bolt (Motor A)	M16*45L	1
	4301-116055	Bolt (Motor B)	M16*55L	1
A6-1	4102-NU307E	Discharge Radial Bearing (Male)		1
A6-2	3103-113AA	Outer Spacer (Male)		1
A6-3	3103-1137B	Inner Spacer (Male)		1
A6-4	4101-7307BUO	Discharge Axial Bearing (Male)		3
A6-5	4302-235	Bearing Lock Nut		1
A6-6	3131-1109A	Discharge Bearing Fixed Ring (Male)		1
A6-7	4307-DB080	Disc Spring		1
A7-1	4102-NU2306E	Discharge Radial Bearing (Female)		1
A7-2	3101-113AA	Outer Spacer (Female)		1
A7-3	3101-1137B	Inner Spacer (Female)		1
A7-4	4101-7306BUO	Discharge Axial Bearing (Female)		2
A7-5	4302-230	Bearing Lock Nut		1
A7-6	3131-1111A	Discharge Bearing Fixed Ring (Female)		1
A7-7	4307-DB071	Disc Spring		1
A8-1	3131-1101AE	Discharge Cover Plate		1
A8-2	3131-1103AB	Discharge Cover Plate Gasket		1
A8-3	4301-108025	Bolt	M8*25L	11
A9-1	4301-110025	Bolt	M10*25L	1
A9-2	4303-310	Spring Washer	M10	1
A9-3	3131-1037A	Washer		1
A9-4	4202-T065	Piston Ring		1
A9-5	4201-CA328	O-Ring		1
A9-6	3131-1119BA	Guide Ring		1
A9-7	3131-1116A	Piston		1
A9-8	4303-414	Copper Washer		1
A9-9	3131-1115AC	Piston Rod		1
A9-10	3131-1113A	Modulation Spring		1
A10	3131-1008A	Exhaust Tube Gasket		1
A11	3502-1102A	Position Pin		2
A12	4301-112040	Bolt	M12*40L	8
B-Compression Casing				
B1	3131-1141HA	Compression Casing		1
B2	3131-1002AB	Motor Casing Gasket		1
B3-1	3131-1152BA-A	Oil Level Switch Flange	Standard	1
B3-2	3131-1147BA	Gasket		2
B3-3	3131-116AC	Damper Shield		1
B3-4	4405-61	Oil Level Switch		1
B3-5	4201-VP008	O-Ring		1
B3-6	4201-VP021	O-Ring		1
B3-7	3131-1149A	Oil Level Switch Fitting		1
B3-8	4806-27	Cable Connector		1
B3-9	4301-112080	Bolt	M12*80L	4
B4-1	4304-106A	Angle Valve		1
B4-2	4302-303	Bonnet		1
B4-3	4302-301	Nut		1
B5-1	3131-2102A	Motor Stator Fixed Pin		1
B5-2	4201-VP021	O-Ring		1
B6-1	4304-102A	Connector		1
B6-2	4302-303	Bonnet		1
B6-3	4302-301	Nut		1
B7-1	3131-1080CD(A)	Terminal Cover Plate (PTC+PT100/1000)		1
B7-1	3206-1080BD(B)	Terminal Cover Plate (PTC+PT100/1000)		1
B7-2	3131-1006BB	Terminal Cover Plate Gasket		1
B7-3	4301-112040	Bolt	M12*40L	6
B7-4	3131-1014C	Terminal Box Gasket		1
B8-1	3131-1012CC	Terminal Box		1
B8-2	3131-1013AC	Terminal Box Cover		4
B8-3	4806-33	Terminal Box Hole Stopper		4
B8-4	3101-1007A	Terminal Box Flange Gasket		1
B8-5	3101-1021B	Terminal Box Flange		1
B8-6	4301-508016	Bolt	M8*16L	4
B8-7	4301-508016	Bolt	M8*16L	4
B9	4301-908012	Bolt	M8*12L	3
B10-1	3132-1250BA	Economizer Port Flange		1
B10-2	3132-1252B	Economizer Port Flange Shield		1
B10-3	3132-1151AA	Economizer Port Flange Gasket		1
B10-4	4301-110035	Bolt	M10*35L	2
B11-1	4401-38	Solenoid Valve (NC)	Standard	1
	4401-39	Solenoid Valve (NO)	Optional	1
B11-1-1	4401-38	Solenoid Valve (NC)		2
B11-1-2	3161-1168AA	Orifice	Optional	1
B11-2	4402-14	Solenoid Valve Coil	220V	2
	4402-15	Solenoid Valve Coil	110V	2
B11-3	3101-1003BA-A	Solenoid Valve Gasket		4
B11-4	4301-804012	Bolt	M4*12L	8

Item	Part NO	Description	Specification	Amount
B11-4-1	4301-804016	Bolt	M4*20L	4
B11-5	3101-1039C	Cover Plate		1
B12-1	4405-81	Motor Protector INT 69 HBY		1
B12-2	4301-804025	Bolt	M4*25L	2
B12-3	4303-104	Washer		2
B12-4	4303-304	Spring Washer		2
B12-5	4302-104	Nut		2
B13-1	4301-108016	Bolt	M8*16L	1
B13-2	4303-308	Spring Washer		1
B13-3	4303-108	Washer		1
B14	4103-NK155/35	Suction Radial Bearing (Male)		1
B15	4103-NK130/30	Suction Radial Bearing (Female)		1
B16-1	3131-1108A	Suction Bearing Fixed Ring (Male)		1
B16-2	4301-106016	Bolt	M6*16L	4
B17-1	3181-XX32XA-SH	Motor Stator Assembly (Motor A)		1
	3181-XX33XA-SH	Motor Stator Assembly (Motor B)		1
B17-2	3131-2105AB	Copper Sleeve		1
B18-1	3131-1169A	Oil Cooler Connector Cover		1
B18-2	3131-1167AA	Oil Cooler Connector Cover Gasket		1
B18-3	4301-110030	Bolt	M10*30L	6
B19-1	3131-1142A	Service Flange		1
B19-2	3131-1147BA	Oil Filter Flange Outer Gasket		1
B19-3	3131-1144A	Oil Filter Flange		1
B19-4	3101-1146A	Oil Filter Flange Inner Gasket		1
B19-5	3101-1143C	Oil Filter		1
B19-6	4301-112035	Bolt	M12*35L	4
B20-1	3101-1145E	Capillary		1
B20-2	4304-101A	Elbow		2
B20-3	3131-1168A	Plug		1
B21-1	3131-1153A	Plug		1
B21-2	4201-VA016	O-Ring		1
B22-1	3131-1112CB	Slide Valve	Vi=2.6	1
	3131-1212BB	Slide Valve	Vi=3.5	1
	3131-1412CB	Slide Valve	Vi=3.0	1
	3131-1512CB	Slide Valve	Vi=2.2	1
B22-2	3101-1114A	Slide Valve Key		1
B22-3	4301-106016	Bolt	M6*16L	1
C-Oil Separator				
C1	3131-1800GB	Oil Separator Assembly		1
C2	3131-1001AA	Oil Separator Gasket		1
C3-1	4804-17	Sight Glass		1
C3-2	4201-VA024	O-Ring		1
C4	4305-107AA	Plug		1
C5-1	3101-1051CC	Oil Heater	220V,150W	1
	3101-1052CC	Oil Heater	220V,300W	1
	3101-0951CC	Oil Heater	110V,150W	1
	3101-0952CC	Oil Heater	110V,300W	1
C5-2	4806-28	Cable Connector		1
C5-3	5108-09	Plastic Corrugated Tube		1
C6	4305-105	Plug		1
C7	4405-97	Discharge Temperature Sensor		1
C8	4305-105	Plug		1
C9-1	4304-106A	Angle Valve		1
C9-2	4302-303	Bonnet		1
C9-3	4302-301	Nut		1
C10-1	3188-7100C	Check Valve		1
C10-2	3101-1005AD	Discharge Flange Gasket		2
C10-3	4201-NP065	O-Ring		1
C10-4	3101-1015A	Flange Shield		1
C10-5	3101-1019BC	Discharge Flange		1
C10-6	4301-116055	Bolt	M16*55L	4
C10-7	4301-116040	Bolt	M16*40L	4
C11	4301-112045	Bolt	M12*45L	20
D-Motor				
D1	3131-2201B	Motor Cover		1
D2-1	4304-114A	Connector		1
D2-2	4302-312	Bonnet		1
D2-3	4302-311	Nut		1
D3	4304-201A	Charging Valve		1
D4-1	4304-106A	Angle Valve		1
D4-2	4302-303	Bonnet		1
D4-3	4302-301	Nut		1
D5-1	3131-1024BC	Suction Filter		1
D5-2	3131-1004AA	Gasket		2
D6-1	3188-8700A	Suction Stop Valve		1
D6-2	3131-1004AA	Gasket		1
D6-3	4201-NP080	O-Ring		1
D6-4	3134-1015A	Flange Shield		1
D6-5	3131-1019AC	Suction Flange		1
D6-6	4301-116055	Bolt	M16*55L	4
D6-7	4301-116120	Bolt	M16*120L	4
D7	4301-112045	Bolt	M12*45L	16

12.3. RC2-170 Screw Compressor Part List (Discontinued)

Item	Part NO	Description	Specification	Amount
A-Rotor & Bearing Seat				
A1	3101-1131CD	Bearing Seat		1
A2	3132-1232AC	Male Screw Rotor		1
A3	3132-1133CC	Female Screw Rotor		1
A4	3103-1023A	Motor Rotor Key		1
A5-1	3101-1134B	α Balance Piston		1
A5-2	4102-NU309E	Discharge Radial Bearing (Male)		1
A5-3	4101-7309BUO	Discharge Axial Bearing (Male)		3
A5-4	4302-245	Bearing Lock Nut		1
A5-5	3101-1109B	Discharge Bearing Fixed Ring (Male)		1
A5-6	4307-DB100	Disc Spring		1
A6-1	4102-NU2306E	Discharge Radial Bearing (Female)		1
A6-2	3101-1137B	Inner Spacer (Female)		1
A6-3	3101-113AA	Outer Spacer (Female)		1
A6-4	4101-7306BUO	Discharge Axial Bearing (Female)		3
A6-5	3101-1111B	Discharge Bearing Fixed Ring (Female)		1
A6-6	4302-230	Bearing Lock Nut		1
A6-7	4307-DB071	Disc Spring		1
A7-1	3101-1101AG	Discharge Cover Plate		1
A7-2	3101-1103AE	Discharge Cover Plate Gasket		1
A7-3	4301-110035	Bolt	M10*35L	13
A8-1	4301-112035	Bolt	M12*35L	1
A8-2	4303-312	Spring Washer		1
A8-3	3101-1037B	Copper Washer		1
A8-4	3101-1116D	Piston		1
A8-5	4201-CA336	O-Ring		2
A8-6	4202-T090	Piston-Ring		2
A8-7	5112-GM69	Guide Ring		1
A8-8	4303-420	Copper Washer		1
A8-9	3101-1115AG	Piston Rod		1
A8-10	3102-1113A	Modulation Spring		1
A8-11	NA	NA		NA
A9	3101-1008B	Exhaust Tube Gasket		1
A10	3101-1102B	Position Pin		2
A11	4301-116040	Bolt	M16*40L	8
B-Compression Casing				
B1	3132-1141EA	Compression Casing		1
B2-1	3101-1112C	Slide Valve	Vi=2.6	1
	3101-1212C	Slide Valve	Vi=3.5	1
	3101-1412C	Slide Valve	Vi=3.0	1
	3101-1512C	Slide Valve	Vi=2.2	1
B2-2	3101-1114A	Slide Valve Key		1
B2-3	4301-106016	Bolt	M6*16L	1
B3-1	NA	NA	NA	NA
B3-2	NA	NA	NA	NA
B4-1	3101-1152DA-A	Oil Level Switch Flange	Standard	1
B4-2	3101-1148BA	Flange Gasket		2
B4-3	3101-116AC	Damper Shield		1
B4-4	4405-61	Liquid Level Switch		1
B4-5	4201-VP008	O-Ring		1
B4-6	4201-VP021	O-Ring		1
B4-7	3101-1149D	Oil Level Switch Fitting		1
B4-8	4806-27	Cable Connector		1
B4-9	5107-03	PU Hose		1
B4-10	4305-108	Plug		1
B4-11	4301-112080	Bolt	M12*80L	6
B5-1	4304-106A	Angle Valve		1
B5-2	4302-303	Bonnet		1
B5-3	4302-301	Nut		1
B6-1	3101-1051CC	Oil Heater	220V,150W	1
	3101-1052CC	Oil Heater	220V,300W	1
	3101-0951CC	Oil Heater	110V,150W	1
	3101-0952CC	Oil Heater	110V,300W	1
B6-2	4806-28	Cable connector		1
B6-3	5108-09	Plastic Corrugated Tube		1
B7-1	4804-17	Sight Glass		2
B7-2	4201-VA024	O-Ring		2
B8-1	3132-1080BD	Terminal Cover Plate (PTC+PT100/1000)		1
B8-2	4301-112035	Bolt	M12*35L	16
B8-3	3101-1006BA	Motor Cover Plate Gasket		1
B9-1	4401-38	Solenoid Valve-Step,Gasket(NC)	Standard	1
	4401-39	Solenoid Valve-Stepless (NO)	Optional	1
B9-1-1	4401-38	Solenoid Valve-Step,Gasket(NC)		1
B9-1-2	3161-1168AA	Orifice	Optional	1
B9-2	4402-14	Solenoid Valve Coil	220V	2
	4402-15	Solenoid Valve Coil	110V	2
B9-3	3101-1003BA-A	Solenoid Valve Gasket		5
B9-4	4301-804012	Bolt	M4*12L	12
B9-4-1	4301-804016	Bolt	M4*20L	4
B9-5	3101-1039C	Cover Plate		2
B10-1	3132-1250BA	Economizer Port Flange		1
B10-2	3132-1252B	Economizer Port Flange Shield		1
B10-3	3132-1151AA	Economizer Port Flange Gasket		1
B10-4	4301-110035	Bolt	M10*35L	2
B11-1	3101-1107C	Oil Guiding Ring (Female)		1
B11-2	4102-NJ2206E	Suction Radial Bearing (Female)		1
B12-1	4303-108-1	Washer	M8	1

Item	Part NO	Description	Specification	Amount
B12-2	4303-308	Spring Washer	M8	1
B12-3	4301-108016	Bolt	M8*16L	1
B13-1	3101-1106C	Oil Guiding Ring (Male)		1
B13-2	4102-NU2211E	Suction Radial Bearing (Male)		1
B13-3	3132-1104A	Suction Bearing Inner Spacer		1
B13-4	3132-1105A	Suction Bearing Outer Spacer		1
B13-5	4102-NU2211E	Suction Radial Bearing (Male)		1
B14-1	3101-1108A	Suction Bearing Fixed Ring (Male)		1
B14-2	4301-106016	Bolt	M6*16L	4
B15-1	3181-00331A-SH	Motor Rotor Assembly (Motor A)		1
	3181-00341A-SH	Motor Rotor Assembly (Motor B)		1
B15-2	3130-1032A	Motor Rotor Spacer (Motor A)		1
	3107-1035A	Motor Rotor Spacer (Motor B)		1
B15-3	3101-1017A	Motor Rotor Washer (Motor A)		1
	3132-1017A	Motor Rotor Washer (Motor B)		1
B15-4	4303-316	Spring Washer		1
B15-5	4301-116045	Bolt (Motor A)	M16*45L	1
	4301-116060	Bolt (Motor B)	M16*60L	1
B16-1	4304-105A	Connector		1
B16-2	4302-306	Bonnet		1
B16-3	3101-1091A	Nut		1
B17-1	4304-102A	Connector		1
B17-2	4302-303	Bonnet		1
B17-3	4302-301	Nut		1
B18-1	3101-1168AC	Plug		1
B18-2	4201-VA119	O-Ring		1
B19-1	4304-101A	Elbow		2
B19-2	3101-1145E	Capillary		1
B20-1	3101-1158DA	Oil Filter Flange		1
B20-2	3101-1147BA	Oil Filter Flange Outer Gasket		1
B20-3	3101-1146A	Oil Filter Flange Inner Gasket		1
B20-4	3101-1143C	Oil Filter		1
B20-5	4301-112035	Bolt	M12*35L	6
B21-1	3101-1153BA	Plug		1
B21-2	4201-VP021	O-Ring		1
B22-1	4304-105A	Connector		1
B22-2	4302-306	Bonnet		1
B22-3	3101-1091A	Nut		1
C-Oil Separator				
C1	3132-1800FB	Oil Separator		1
C2	4301-116050	Bolt	M16*50L	20
C3	3101-1001AE	Oil Separator Gasket		1
C4-1	3188-7100C	Check Valve		1
C4-2	3101-1005AD	Connecting Flange Gasket		2
C4-3	4201-NP065	O-Ring		1
C4-4	3101-1015A	Discharge Flange Shield		1
C4-5	3101-1019A	Flange		1
C4-6	4301-116055	Bolt	M16*55L	4
C4-7	4301-116040	Bolt	M16*40L	4
C5-1	4304-106A	Angle Valve		1
C5-2	4302-303	Bonnet		1
C5-3	4302-301	Nut		1
C6	4305-106	Plug		1
D-Motor Exploded				
D1	3132-2151CA	Motor Casing (Motor A)		1
	3152-2101CA	Motor Casing (Motor B)		1
D2	3101-1002BA	Motor Casing Gasket		1
D3-1	3181-XX33XA-SH	Motor Stator Assembly (Motor A)		1
	3181-XX34XA-SH	Motor Stator Assembly (Motor B)		1
D3-2	3131-2105AB	Copper Sleeve		1
D4-1	3133-2104AA	Motor Stator Guide Vane		2
D4-2	4301-108025	Bolt	M8*25L	7
D4-3	4303-308	Spring Washer	M8	7
D4-4	3101-2103CA	Plate		2
D5-1	3154-2102B	Motor Stator Fixing Plug		1
D5-2	4201-VP021	O-Ring		1
D6-1	4304-105A	Connector		1
D6-2	4302-306	Bonnet		1
D6-3	3101-1091A	Nut		1
D7-1	4304-102A	Connector		1
D7-2	4302-303	Bonnet		1
D7-3	4302-301	Nut		1
D8	4304-201A	Charging Valve		1
D9-1	4304-106A	Angle Valve		1
D9-2	4302-303	Bonnet		1
D9-3	4302-301	Nut		1
D10	3101-1004AD	Connecting Flange Gasket		2
D11	3101-1024DC	Suction Filter		1
D12-1	3188-8200A	Stop Valve		1
D12-2	3101-1004AD	Connecting Flange Gasket		1
D12-3	4201-NP100	O-Ring		1
D12-4	3103-101EB	Flange Shield		1
D12-5	3102-1019AC	Flange		1
D12-6	4301-116060	Bolt	M16*60L	4
D12-7	4301-116140	Bolt	M16*140L	4
D13	4301-112050	Bolt	M12*50L	20

12.4. RC2-180 Screw Compressor Part List

Item	Part NO	Description	Specification	Amount
A-Rotor & Bearing Seat				
A1	3151-1131CD	Bearing Seat		1
A2	3151-1132BC	Male Screw Rotor		1
A3	3151-1133BC	Female Screw Rotor		1
A4	3103-1023A	Motor Rotor Key		1
A4-1	3151-110AA	Motor Rotor Spacer Ring (Motor A)		1
A5-1	3181-00331A-SH	Motor Rotor Assembly (Motor A)		1
	3181-00351A-SH	Motor Rotor Assembly (Motor B)		1
A5-2	3130-1032A	Motor Rotor Spacer (Motor A)		1
	3101-1032A	Motor Rotor Spacer (Motor B)		2
A5-3	3101-1017A	Motor Rotor Washer (Motor A)		1
	3132-1017A	Motor Rotor Washer (Motor B)		1
A5-4	4303-316	Spring Washer	M16	1
A5-5	4301-116045	Bolt (Motor A)	M16*45L	1
	4301-116075	Bolt (Motor B)	M16*65L	1
A6-1	4102-NU307E	Discharge Radial Bearing (Male)		1
A6-2	3103-113AA	Outer Spacer (Male)		1
A6-3	3103-1137B	Inner Spacer (Male)		1
A6-4	4101-7307BUO	Discharge Axial Bearing (Male)		3
A6-5	4302-235	Bearing Lock Nut		1
A6-6	3151-1109A	Discharge Bearing Fixed Ring (Male)		1
A6-7	4307-DB080	Disc Spring		1
A7-1	4102-NU2306E	Discharge Radial Bearing (Female)		1
A7-2	3101-113AA	Outer Spacer (Female)		1
A7-3	3101-1137B	Inner Spacer (Female)		1
A7-4	4101-7306BUO	Discharge Axial Bearing (Female)		2
A7-5	4302-230	Bearing Lock Nut		1
A7-6	3151-1111A	Discharge Bearing Fixed Ring (Female)		1
A7-7	4307-DB071	Disc Spring		1
A8-1	3131-1101AE	Discharge Cover Plate		1
A8-2	3131-1103AB	Discharge Cover Plate Gasket		1
A8-3	4301-108025	Bolt	M8*25L	11
A9-1	4301-110025	Bolt	M10*25L	1
A9-2	4303-310	Spring Washer	M10	1
A9-3	3131-1037A	Washer		1
A9-4	4202-T065	Piston Ring		1
A9-5	4201-CA328	O-Ring		1
A9-6	3131-1119BA	Guide Ring		1
A9-7	3131-1116A	Piston		1
A9-8	4303-414	Copper Washer		1
A9-9	3151-1115AB	Piston Rod		1
A9-10	3151-1113A	Modulation Spring		1
A10	3131-1008A	Exhaust Tube Gasket		1
A11	3502-1102A	Position Pin		2
A12	4301-112040	Bolt	M12*40L	8
B-Compression Casing				
B1	3151-1141DA	Compression Casing		1
B2	3151-1002AA	Motor Casing Gasket		1
B3-1	3131-1152BA-A	Oil Level Switch Flange	Standard	1
B3-2	3131-1147BA	Gasket		2
B3-3	3131-116AC	Damper Shield		1
B3-4	4405-61	Oil Level Switch		1
B3-5	4201-VP008	O-Ring		1
B3-6	4201-VP021	O-Ring		1
B3-7	3131-1149A	Oil Level Switch Fitting		1
B3-8	4806-27	Cable Connector		1
B3-9	4301-112080	Bolt	M12*80L	4
B4-1	4304-106A	Angle Valve		1
B4-2	4302-303	Bonnet		1
B4-3	4302-301	Nut		1
B5-1	3131-2102A	Motor Stator Fixed Pin		1
B5-2	4201-VP021	O-Ring		1
B6-1	4304-102A	Connector		1
B6-2	4302-303	Bonnet		1
B6-3	4302-301	Nut		1
B7-1	3206-1080BD	Terminal Cover Plate (PTC+PT100/1000)		1
B7-2	3131-1006BB	Terminal Cover Plate Gasket		1
B7-3	4301-112040	Bolt	M12*40L	6
B7-4	3131-1014C	Terminal Box Gasket		1
B8-1	3131-1012CC	Terminal Box		1
B8-2	3131-1013AC	Terminal Box Cover		4
B8-3	4806-33	Terminal Box Hole Stopper		4
B8-4	3101-1007A	Terminal Box Flange Gasket		1
B8-5	3101-1021B	Terminal Box Flange		1
B8-6	4301-508016	Bolt	M8*16L	4
B8-7	4301-508016	Bolt	M8*16L	4
B9	4301-908012	Bolt	M8*12L	3
B10-1	3132-1250BA	Economizer Port Flange		1
B10-2	3132-1252B	Economizer Port Flange Shield		1
B10-3	3132-1151AA	Economizer Port Flange Gasket		1
B10-4	4301-110035	Bolt	M10*35L	2
B11-1	4401-38	Solenoid Valve (NC)	Standard	1
	4401-39	Solenoid Valve (NO)	Optional	1
B11-1-1	4401-38	Solenoid Valve (NC)		2
B11-1-2	3161-1168AA	Orifice	Optional	1
B11-2	4402-14	Solenoid Valve Coil	220V	2
	4402-15	Solenoid Valve Coil	110V	2

Item	Part NO	Description	Specification	Amount
B11-3	3101-1003BA-A	Solenoid Valve Gasket		4
B11-4	4301-804012	Bolt	M4*12L	8
B11-4-1	4301-804016	Bolt	M4*20L	4
B11-5	3101-1039C	Cover Plate		1
B12-1	4405-81	Motor Protector INT 69 HBY		1
B12-2	4301-804025	Bolt	M4*25L	2
B12-3	4303-104	Washer		2
B12-4	4303-304	Spring Washer		2
B12-5	4302-104	Nut		2
B13-1	4301-108016	Bolt		2
B13-2	4303-308	Spring Washer		2
B13-3	4303-108	Washer		2
B14	4103-NK155/35	Suction Radial Bearing (Male)		1
B15	4103-NK130/30	Suction Radial Bearing (Female)		1
B16-1	NA	Use B13-1~3 instead		NA
B16-2	NA			NA
B17-1	3181-XX33XA-SH	Motor Stator Assembly (Motor A)		1
	3181-XX35XA-SH	Motor Stator Assembly (Motor B)		1
B17-2	3131-2105AB	Copper Sleeve		1
B18-1	3131-1169A	Oil Cooler Connector Cover		1
B18-2	3131-1167AA	Oil Cooler Connector Cover Gasket		1
B18-3	4301-110030	Bolt	M10*30L	6
B19-1	3131-1142A	Service Flange		1
B19-2	3131-1147BA	Oil Filter Flange Outer Gasket		1
B19-3	3131-1144A	Oil Filter Flange		1
B19-4	3101-1146A	Oil Filter Flange Inner Gasket		1
B19-5	3101-1143C	Oil Filter		1
B19-6	4301-112035	Bolt	M12*35L	4
B20-1	3101-1145E	Capillary		1
B20-2	4304-101A	Elbow		2
B20-3	3131-1168A	Plug	1/8"NPT,φ1.2	1
B21-1	3131-1153A	Plug		1
B21-2	4201-VA016	O-Ring		1
B22-1	3151-1112A	Slide Valve	Vi=2.6	1
	3151-1212A	Slide Valve	Vi=3.5	1
	3151-1412A	Slide Valve	Vi=3.0	1
	3151-1512A	Slide Valve	Vi=2.2	1
B22-2	3101-1114A	Slide Valve Key		1
B22-3	4301-106016	Bolt	M6*16L	1
C-Oil Separator				
C1	3151-1800EB	Oil Separator Assembly		1
C2	3131-1001AA	Oil Separator Gasket		1
C3-1	4804-17	Sight Glass		1
C3-2	4201-VA024	O-Ring		1
C4	4305-107AA	Plug		1
C5-1	3101-1051CC	Oil Heater	220V,150W	1
	3101-1052CC	Oil Heater	220V,300W	1
	3101-0951CC	Oil Heater	110V,150W	1
	3101-0952CC	Oil Heater	110V,300W	1
C5-2	4806-28	Cable Connector		1
C5-3	5108-09	Plastic Corrugated Tube		1
C6	4305-105	Plug		1
C7	4405-97	Discharge Temperature Sensor		1
C8	4305-106	Plug		1
C9-1	4304-106A	Angle Valve		1
C9-2	4302-303	Bonnet		1
C9-3	4302-301	Nut		1
C10-1	3188-7100C	Check Valve		1
C10-2	3101-1005AD	Discharge Flange Gasket		2
C10-3	4201-NP065	O-Ring		1
C10-4	3101-1015A	Flange Shield		1
C10-5	3101-1019BC	Discharge Flange		1
C10-6	4301-116055	Bolt	M16*55L	4
C10-7	4301-116040	Bolt	M16*40L	4
C11	4301-112045	Bolt	M12*45L	20
D-Motor				
D1	3151-2201BA	Motor Cover		1
D2-1	4304-105A	Connector		1
D2-2	4302-306	Bonnet		1
D2-3	3101-1091A	Nut		1
D3	4304-201A	Charging Valve		1
D4-1	4304-106A	Angle Valve		1
D4-2	4302-303	Bonnet		1
D4-3	4302-301	Nut		1
D5-1	3131-1024BC	Suction Filter		1
D5-2	3101-1004AD	Connecting Flange Gasket		2
D6-1	3188-8200A	Stop Valve		1
D6-2	3101-1004AD	Connecting Flange Gasket		1
D6-3	4201-NP100	O-Ring		1
D6-4	3103-101EB	Flange Shield		1
D6-5	3102-1019AC	Flange		1
D6-6	4301-116060	Bolt	M16*60L	4
D6-7	4301-116140	Bolt	M16*140L	4
D7	4301-112045	Bolt	M12*45L	16

12.5. RC2-200 Screw Compressor Part List

Item	Part NO	Description	Specification	Amount
A-Rotor & Bearing Seat				
A1	3102-1131DA	Bearing Seat		1
A2	3133-1232AD	Male Screw Rotor		1
A3	3102-1133DD	Female Screw Rotor		1
A4	3103-1023A	Motor Rotor Key		1
A5-1	3101-1134B	α Balance Piston		1
A5-2	4102-NU309E	Discharge Radial Bearing (Male)		1
A5-3	4101-7309BUO	Discharge Axial Bearing(Male)		3
A5-4	4302-245	Bearing Lock Nut		1
A5-5	3101-1109B	Discharge Bearing Fixed Ring (Male)		1
A5-6	4307-DB100	Disc Spring		1
A6-1	4102-NU2306E	Discharge Radial Bearing (Female)		1
A6-2	3101-1137B	Inner Spacer (Female)		1
A6-3	3101-113AA	Outer Spacer (Female)		1
A6-4	4101-7306BUO	Discharge Axial Bearing (Female)		3
A6-5	3101-1111B	Discharge Bearing Fixed Ring (Female)		1
A6-6	4302-230	Bearing Lock Nut		1
A6-7	4307-DB071	Disc Spring		1
A7-1	3101-1101AG	Discharge Cover Plate		1
A7-2	3101-1103AE	Discharge Cover Plate Gasket		1
A7-3	4301-110035	Bolt	M10*35L	13
A8-1	4301-112035	Bolt	M12*35L	1
A8-2	4303-312	Spring Washer		1
A8-3	3101-1037B	Copper Washer		1
A8-4	3101-1116D	Piston		1
A8-5	4201-CA336	O-Ring		2
A8-6	4202-T090	Piston-Ring		2
A8-7	5112-GM69	Guide Ring		1
A8-8	4303-420	Copper Washer		1
A8-9	3102-1115AH	Piston Rod		1
A8-10	3102-1113A	Modulation Spring		1
A8-11	NA	NA		NA
A9	3101-1008B	Exhaust Tube Gasket		1
A10	3101-1102B	Position Pin		2
A11	4301-116040	Bolt	M16*40L	8
B-Compression Casing				
B1	3102-1141GA	Compression Casing		1
B2-1	3102-1112C	Slide Valve	Vi=2.6	1
	3102-1212C	Slide Valve	Vi=3.5	1
	3102-1512C	Slide Valve	Vi=3.0	1
	3102-1412C	Slide Valve	Vi=2.2	1
B2-2	3101-1114A	Slide Valve Key		1
B2-3	4301-106016	Bolt	M6*16L	1
B3-1	NA	NA	NA	NA
B3-2	NA	NA	NA	NA
B4-1	3101-1152DA-A	Oil Level Switch Flange	Standard	1
B4-2	3101-1148BA	Flange Gasket		2
B4-3	3101-116AC	Damper Shield		1
B4-4	4405-61	Liquid Level Switch		1
B4-5	4201-VP008	O-Ring		1
B4-6	4201-VP021	O-Ring		1
B4-7	3101-1149D	Oil Level Switch Fitting		1
B4-8	4806-27	Cable Connector		1
B4-9	5107-03	PU Hose		1
B4-10	4305-108	Plug		1
B4-11	4301-112080	Bolt	M12*80L	6
B5-1	4304-106A	Angle Valve		1
B5-2	4302-303	Bonnet		1
B5-3	4302-301	Nut		1
B6-1	3101-1051CC	Oil Heater	220V,150W	1
	3101-1052CC	Oil Heater	220V,300W	1
	3101-0951CC	Oil Heater	110V,150W	1
	3101-0952CC	Oil Heater	110V,300W	1
B6-2	4806-28	Cable Connector		1
B6-3	5108-09	Plastic Corrugated Tube		1
B7-1	4804-17	Sight Glass		2
B7-2	4201-VA024	O-Ring		2
B8-1	3132-1080BD	Terminal Cover Plate (PTC+PT100/1000)		1
B8-2	4301-112035	Bolt	M12*35L	16
B8-3	3101-1006BA	Motor Cover Plate Gasket		1
B9-1	4401-38	Solenoid Valve-Step,Gasket(NC)	Standard	1
	4401-39	Solenoid Valve-Stepless(NO)	Optional	1
B9-1-1	4401-38	Solenoid Valve-Step,Gasket(NC)		1
B9-1-2	3161-1168AA	Orifice	Optional	1
B9-2	4402-14	Solenoid Valve Coil	220V	2
	4402-15	Solenoid Valve Coil	110V	2
B9-3	3101-1003BA-A	Solenoid Valve Gasket		5
B9-4	4301-804012	Bolt	M4*12L	12
B9-4-1	4301-804016	Bolt	M4*20L	4
B9-5	3101-1039C	Cover Plate		2
B10-1	3132-1250BA	Economizer Port Flange		1
B10-2	3132-1252B	Economizer Port Flange Shield		1
B10-3	3132-1151AA	Economizer Port Flange Gasket		1
B10-4	4301-110035	Bolt	M10*35L	2
B11-1	3101-1107C	Oil Guiding Ring (Female)		1
B11-2	4102-NJ2206E	Suction Radial Bearing (Female)		1
B12-1	4303-112	Washer	M12	1

Item	Part NO	Description	Specification	Amount
B12-2	4303-312	Spring Washer	M12	1
B12-3	4301-112020	Bolt	M12*20L	1
B13-1	3101-1106C	Oil Guiding Ring (Male)		1
B13-2	4102-NU2211E	Suction Radial Bearing (Male)		1
B13-3	3101-1104A	Suction Bearing Inner Spacer		1
B13-4	3101-1105A	Suction Bearing Outer Spacer		1
B13-5	4102-NU2211E	Suction Radial Bearing (Male)		1
B14-1	3101-1108A	Suction Bearing Fixed Ring (Male)		1
B14-2	4301-106016	Bolt	M6*16L	4
B15-1	3181-00331A-SH	Motor Rotor Assembly (Motor A)		1
	3181-00351A-SH	Motor Rotor Assembly (Motor B)		1
	3130-1032A	Motor Rotor Spacer (Motor A)		1
B15-2	3107-1035A	Motor Rotor Spacer (Motor B)		2
	3101-1017A	Motor Rotor Washer (Motor A)		1
	3132-1017A	Motor Rotor Washer (Motor B)		1
B15-4	4303-316	Spring Washer	M16	1
B15-5	4301-116045	Bolt (Motor A)	M16*45L	1
	4301-116090	Bolt (Motor B)	M16*90L	1
B16-1	4304-105A	Connector		1
B16-2	4302-306	Bonnet		1
B16-3	3101-1091A	Nut		1
B17-1	4304-102A	Connector		1
B17-2	4302-303	Bonnet		1
B17-3	4302-301	Nut		1
B18-1	3101-1168AC	Plug		1
B18-2	4201-VA119	O-Ring		1
B19-1	4304-101A	Elbow		2
B19-2	3101-1145E	Capillary		1
B20-1	3101-1158DA	Oil Filter Flange		1
B20-2	3101-1147BA	Oil Filter Flange Outer Gasket		1
B20-3	3101-1146A	Oil Filter Flange Inner Gasket		1
B20-4	3101-1143C	Oil Filter		1
B20-5	4301-112035	Bolt	M12*35L	6
B21-1	3101-1153BA	Plug		1
B21-2	4201-VP021	O-Ring		1
B22-1	4304-105A	Connector		1
B22-2	4302-306	Bonnet		1
B22-3	3101-1091A	Nut		1
C-Oil Separator				
C1	3133-1800FB	Oil Separator		1
C2	4301-116050	Bolt	M16*50L	20
C3	3101-1001AE	Oil Separator Gasket		1
C4-1	3188-7100C	Check Valve		1
C4-2	3101-1005AD	Connecting Flange Gasket		2
C4-3	4201-NP065	O-Ring		1
C4-4	3101-1015A	Discharge Flange Shield		1
C4-5	3101-1019A	Flange		1
C4-6	4301-116055	Bolt	M16*55L	4
C4-7	4301-116040	Bolt	M16*40L	4
C5-1	4304-106A	Angle Valve		1
C5-2	4302-303	Bonnet		1
C5-3	4302-301	Nut		1
C6	4305-106	Plug		1
D-Motor				
D1	3132-2151CA	Motor Casing (Motor A)		1
	3133-2151CA	Motor Casing (Motor B)		1
D2	3101-1002BA	Motor Casing Gasket		1
D3-1	3181-XX33XA-SH	Motor Stator Assembly (Motor A)		1
	3181-XX35XA-SH	Motor Stator Assembly (Motor B)		1
D3-2	3131-2105AB	Copper Sleeve		1
D4-1	3133-2104AA	Motor Stator Guide Vane		2
D4-2	4301-108025	Bolt	M8*25L	7
D4-3	4303-308	Spring Washer	M8	7
D4-4	3101-2103CA	Plate		2
D5-1	3154-2102B	Motor Stator Fixing Plug		1
D5-2	4201-VP021	O-Ring		1
D6-1	4304-105A	Connector		1
D6-2	4302-306	Bonnet		1
D6-3	3101-1091A	Nut		1
D7-1	4304-102A	Connector		1
D7-2	4302-303	Bonnet		1
D7-3	4302-301	Nut		1
D8	4304-201A	Charging Valve		1
D9-1	4304-106A	Angle Valve		1
D9-2	4302-303	Bonnet		1
D9-3	4302-301	Nut		1
D10	3101-1004AD	Connecting Flange Gasket		2
D11	3101-1024DC	Suction Filter		1
D12-1	3188-8200A	Stop Valve		1
D12-2	3101-1004AD	Connecting Flange Gasket		1
D12-3	4201-NP100	O-Ring		1
D12-4	3103-101EB	Flange Shield		1
D12-5	3102-1019AC	Flange		1
D12-6	4301-116060	Bolt	M16*60L	4
D12-7	4301-116140	Bolt	M16*140L	4
D13	4301-112050	Bolt	M12*50L	20

12.6. RC2-230 Screw Compressor Part List

Item	Part NO	Description	Specification	Amount
A-Rotor & Bearing Seat				
A1	3103-1131DH	Bearing Seat		1
A2	3164-1132BE	Male Screw Rotor		1
A3	3164-1133AE	Female Screw Rotor		1
A4	3103-1023A	Motor Rotor Key		1
A5-1	3103-1134B	α Balance Piston		1
A5-2	4102-NU311E	Discharge Radial Bearing (Male)		1
A5-3	4101-7311BUO	Discharge Axial Bearing(Male)		3
A5-4	4302-255	Bearing Lock Nut		1
A5-5	3103-1109B	Discharge Bearing Fixed Ring (Male)		1
A5-6	4307-DB112	Disc Spring		1
A6-1	4102-NU2307E	Discharge Radial Bearing (Female)		1
A6-2	3103-1137B	Inner Spacer (Female)		1
A6-3	3103-113AA	Outer Spacer (Female)		1
A6-4	4101-7307BUO	Discharge Axial Bearing (Female)		3
A6-5	3103-1111B	Discharge Bearing Fixed Ring (Female)		1
A6-6	4302-235	Bearing Lock Nut		1
A6-7	4307-DB080	Disc Spring		1
A7-1	3103-1101AG	Discharge Cover Plate		1
A7-2	3103-1103AE	Discharge Cover Plate Gasket		1
A7-3	4301-112035	Bolt	M12*35L	13
A8-1	4301-112035	Bolt	M12*35L	1
A8-2	4303-312	Spring Washer		1
A8-3	3101-1037B	Copper Washer		1
A8-4	3103-1116D	Piston		1
A8-5	4201-CA339	O-Ring		2
A8-6	4202-T100	Piston-Ring		2
A8-7	5112-GM69	Guide Ring		1
A8-8	4303-420	Copper Washer		1
A8-9	3102-1115AH	Piston Rod		1
A8-10	3104-1113A	Modulation Spring		1
A8-11	NA	NA		NA
A9	3103-1008B	Exhaust Tube Gasket		1
A10	3101-1102B	Position Pin		2
A11	4301-116045	Bolt	M16*45L	8
B-Compression Casing				
B1	3164-1141EA	Compression Casing		1
B2-1	3164-1512A	Slide Valve	Vi=2.2	1
	3164-1112A	Slide Valve	Vi=2.6	1
	3164-1412A	Slide Valve	Vi=3.0	1
	3164-1212A	Slide Valve	Vi=3.5	1
B2-2	3101-1114A	Slide Valve Key		1
B2-3	4301-106016	Bolt	M6*16L	1
B3-1	3103-1175A	Supporter for Slide Valve		1
B3-2	4301-110050	Bolt	M10*50L	4
B4-1	3101-1152DA-A	Oil Level Switch Flange	Standard	1
B4-2	3101-1148BA	Flange Gasket		2
B4-3	3101-116AC	Damper Shield		1
B4-4	4405-61	Liquid Level Switch		1
B4-5	4201-VP008	O-Ring		1
B4-6	4201-VP021	O-Ring		1
B4-7	3101-1149D	Oil Level Switch Fitting		1
B4-8	4806-27	Cable Connector		1
B4-9	5107-03	PU Hose		1
B4-10	4305-108	Plug		1
B4-11	4301-112080	Bolt	M12*80L	6
B5-1	4304-106A	Angle Valve		1
B5-2	4302-303	Bonnet		1
B5-3	4302-301	Nut		1
B6-1	3101-1051CC	Oil Heater	220V,150W	1
	3101-1052CC	Oil Heater	220V,300W	1
	3101-0951CC	Oil Heater	110V,150W	1
	3101-0952CC	Oil Heater	110V,300W	1
B6-2	4806-28	Cable Connector		1
B6-3	5108-09	Plastic Corrugated Tube		1
B7-1	4804-17	Sight Glass		2
B7-2	4201-VA024	O-Ring		2
B8-1	3132-1080BD	Terminal Cover Plate (PTC+PT100/1000)		1
B8-2	4301-112035	Bolt	M12*35L	16
B8-3	3101-1006BA	Motor Cover Plate Gasket		1
B9-1	4401-38	Solenoid Valve-Step,Gasket(NC)	Standard	1
	4401-39	Solenoid Valve-Stepless(NO)	Optional	1
B9-1-1	4401-38	Solenoid Valve-Step,Gasket(NC)		1
B9-1-2	3161-1168AA	Onfice	Optional	1
B9-2	4402-14	Solenoid Valve Coil	220V	2
	4402-15	Solenoid Valve Coil	110V	2
B9-3	3101-1003BA-A	Solenoid Valve Gasket		5
B9-4	4301-804012	Bolt	M4*12L	12
B9-4-1	4301-804016	Bolt	M4*20L	4
B9-5	3101-1039C	Cover Plate		2
B10-1	3132-1250BA	Economizer Port Flange		1
B10-2	3132-1252B	Economizer Port Flange Shield		1
B10-3	3132-1151AA	Economizer Port Flange Gasket		1
B10-4	4301-110035	Bolt	M10*35L	2
B11-1	3103-1107C	Oil Guiding Ring (Female)		1
B11-2	4102-NJ2207E	Suction Radial Bearing (Female)		1
B12-1	4303-112	Washer	M12	1

Item	Part NO	Description	Specification	Amount
B12-2	4303-312	Spring Washer	M12	1
B12-3	4301-112020	Bolt	M12*20L	1
B13-1	3103-1106C	Oil Guiding Ring (Male)		1
B13-2	4102-NU2213E	Suction Radial Bearing (Male)		1
B13-3	3134-1104A	Suction Bearing Inner Spacer		1
B13-4	3134-1105A	Suction Bearing Outer Spacer		1
B13-5	4102-NU2213E	Suction Radial Bearing (Male)		1
B14-1	3103-1108A	Suction Bearing Fixed Ring (Male)		1
B14-2	4301-106016	Bolt	M6*16L	6
B15-1	3181-00411A	Motor Rotor Assembly (Motor A)		1
	3181-00431A	Motor Rotor Assembly (Motor B)		1
B15-2	3130-1032A	Motor Rotor Spacer(Motor A)		1
	3101-103AA	Motor Rotor Spacer (Motor B)		1
	3101-103BA	Motor Rotor Spacer (Motor B)		1
B15-3	3103-1017A	Motor Rotor Washer (Motor A)		1
	3134-1017A	Motor Rotor Washer (Motor B)		1
B15-4	4303-316	Spring Washer	M16	1
B15-5	4301-116045	Bolt (Motor A)	M16*45L	1
	4301-116075	Bolt (Motor B)	M16*75L	1
B16-1	4304-105A	Connector		1
B16-2	4302-306	Bonnet		1
B16-3	3101-1091A	Nut		1
B17-1	4304-102A	Connector		1
B17-2	4302-303	Bonnet		1
B17-3	4302-301	Nut		1
B18-1	3101-1168AC	Plug		1
B18-2	4201-VA119	O-Ring		1
B19-1	4304-101A	Elbow		2
B19-2	3101-1145E	Capillary		1
B20-1	3101-1158DA	Oil Filter Flange		1
B20-2	3101-1147BA	Oil Filter Flange Outer Gasket		1
B20-3	3101-1146A	Oil Filter Flange Inner Gasket		1
B20-4	3101-1143C	Oil Filter		1
B20-5	4301-112035	Bolt	M12*35L	6
B21-1	3101-1153BA	Plug		1
B21-2	4201-VP021	O-Ring		1
B22-1	4304-105A	Connector		1
B22-2	4302-306	Bonnet		1
B22-3	3101-1091A	Nut		1
C-Oil Separator				
C1	3134-1800FB	Oil Separator		1
C2	4301-120055	Bolt	M20*55L	20
C3	3103-1001AE	Oil Separator Gasket		1
C4-1	3188-7600C	Check Valve		1
C4-2	3131-1004AA	Connecting Flange Gasket		2
C4-3	4201-NP80	O-Ring		1
C4-4	3134-1015A	Discharge Flange Shield		1
C4-5	3131-1019AC	Flange		1
C4-6	4301-116055	Bolt		4
C4-7	4301-116040	Bolt	M16*40L	4
C5-1	4304-106A	Angle Valve		1
C5-2	4302-303	Bonnet		1
C5-3	4302-301	Nut		1
C6	4305-106	Plug		1
D-Motor				
D1	3164-2101CA	Motor Casing		1
D2	3103-1002AD	Motor Casing Gasket		1
D3-1	3181-XX41XA	Motor Stator Assembly (Motor A)		1
	3181-XX43XA	Motor Stator Assembly (Motor B)		1
D3-2	3131-2105AB	Copper Sleeve		1
D4-1	3134-2104AA	Motor Stator Guide Vane		2
D4-2	4301-108025	Bolt	M8*25L	6
D4-3	4303-308	Spring Washer	M8	6
D4-4	3101-2103CA	Plate		2
D5-1	3154-2102B	Motor Stator Fixing Plug		1
D5-2	4201-VP021	O-Ring		1
D6-1	4304-105A	Connector		1
D6-2	4302-306	Bonnet		1
D6-3	3101-1091A	Nut		1
D7-1	4304-102A	Connector		1
D7-2	4302-303	Bonnet		1
D7-3	4302-301	Nut		1
D8	4304-201A	Charging Valve		1
D9-1	4304-106A	Angle Valve		1
D9-2	4302-303	Bonnet		1
D9-3	4302-301	Nut		1
D10	3103-1004AD	Gasket		2
D11	3103-1024DB	Suction Filter		1
D12-1	3188-8300A	Stop Valve		1
D12-2	3103-1004AD	Gasket		1
D12-3	4201-NP110	O-Ring		1
D12-4	3107-1015A	Flange Shield		1
D12-5	3103-1019BC	Flange		1
D12-6	4301-120065	Bolt	M20*65L	4
D12-7	4301-120180	Bolt	M20*180L	4
D13	4301-116055	Bolt	M16*55L	20

12.7. RC2-260 Screw Compressor Part List

Item	Part NO	Description	Specification	Amount
A-Rotor & Bearing Seat				
A1	3103-1131DH	Bearing Seat		1
A2	3134-1232BE	Male Screw Rotor		1
A3	3134-1133AF	Female Screw Rotor		1
A4	3103-1023A	Motor Rotor Key		1
A5-1	3103-1134B	α Balance Piston		1
A5-2	4102-NU311E	Discharge Radial Bearing (Male)		1
A5-3	4101-7311BUO	Discharge Axial Bearing (Male)		3
A5-4	4302-255	Bearing Lock Nut		1
A5-5	3103-1109B	Discharge Bearing Fixed Ring (Male)		1
A5-6	4307-DB112	Disc Spring		1
A6-1	4102-NU2307E	Discharge Radial Bearing (Female)		1
A6-2	3103-1137B	Inner Spacer (Female)		1
A6-3	3103-113AA	Outer Spacer (Female)		1
A6-4	4101-7307BUO	Discharge Axial Bearing (Female)		3
A6-5	3103-1111B	Discharge Bearing Fixed Ring (Female)		1
A6-6	4302-235	Bearing Lock Nut		1
A6-7	4307-DB080	Disc Spring		1
A7-1	3103-1101AG	Discharge Cover Plate		1
A7-2	3103-1103AE	Discharge Cover Plate Gasket		1
A7-3	4301-112035	Bolt	M12*35L	13
A8-1	4301-112035	Bolt	M12*35L	1
A8-2	4303-312	Spring Washer		1
A8-3	3101-1037B	Washer		1
A8-4	3103-1116D	Piston		1
A8-5	4201-CA339	O-Ring		2
A8-6	4202-T100	Piston Ring		2
A8-7	5112-GM69	Guide Ring		1
A8-8	4303-420	Copper Washer		1
A8-9	3102-1115AH	Piston Rod		1
A8-10	3104-1113A	Modulation Spring		1
A8-11	NA	NA		1
A9	3103-1008B	Exhaust Tube Gasket		1
A10	3101-1102B	Position Pin		2
A11	4301-116045	Bolt		8
B-Compression Casing				
B1	3134-1141EA	Compression Casing	FC25, FOR ECO	1
B2-1	3103-1512D	Slide Valve	Vi=2.2	1
	3103-1112D	Slide Valve	Vi=2.6	1
	3103-1412D	Slide Valve	Vi=3.0	1
	3103-1212C	Slide Valve	Vi=3.5	1
B2-2	3101-1114A	Slide Valve Key		1
B2-3	4301-106016	Bolt	M6*16L	1
B3-1	3103-1175A	Supporter for Slide Valve		1
B3-2	4301-110050	Bolt	M10*50L	4
B4-1	3101-1152DA-A	Oil Level Switch Flange	Standard	1
B4-2	3101-1148BA	Flange Gasket		2
B4-3	3101-116AC	Damper Shield		1
B4-4	4405-61	Oil Level Switch		1
B4-5	4201-VP008	O-Ring		1
B4-6	4201-VP021	O-Ring		1
B4-7	3101-1149D	Oil Level Switch Fitting		1
B4-8	4806-27	Cable Connector		1
B4-9	5107-03	PU Hose		1
B4-10	4305-108	Plug	3/8"NPT	1
B4-11	4301-112080	Bolt	M12*80L	6
B5-1	4304-106A	Angle Valve		1
B5-2	4302-303	Bonnet		1
B5-3	4302-301	Nut		1
B6-1	3101-1051CC	Oil Heater	220V,150W	1
	3101-1052CC	Oil Heater	220V,300W	1
	3101-0951CC	Oil Heater	110V,150W	1
	3101-0952CC	Oil Heater	110V,300W	1
B6-2	4806-28	Cable Connector		1
B6-3	5108-09	Plastic Corrugated Tube		1
B7-1	4804-17	Sight Glass		2
B7-2	4201-VA024	O-Ring		2
B8-1	3132-1080BD	Terminal Cover Plate (PTC+PT100/1000)		1
B8-2	4301-112035	Bolt	M12*35L	16
B8-3	3101-1006BA	Terminal Cover Plate Gasket		1
B9-1	4401-38	Solenoid Valve-Step,Gasket(NC)	Standard	1
	4401-39	Solenoid Valve-Stepless(NO)	Optional	1
B9-1-1	4401-38	Solenoid Valve-Step,Gasket(NC)		1
B9-1-2	3161-1168AA	Orifice	Optional	1
B9-2	4402-14	Solenoid Valve Coil	220V	2
	4402-15	Solenoid Valve Coil	110V	2
B9-3	3101-1003BA-A	Solenoid Valve Gasket		5
B9-4	4301-804012	Bolt	M4*12L	12
B9-4-1	4301-804016	Bolt	M4*20L	4
B9-5	3101-1039C	Cover Plate		2
B10-1	3132-1250BA	Economizer Port Flange		1
B10-2	3132-1252B	Shield of Economizer Port Flange		1
B10-3	3132-1151AA	Gasket of Economizer Port Flange		1
B10-4	4301-110035	Bolt	M10*35L	2
B11-1	3103-1107C	Oil-Guiding Ring (Female)		1
B11-2	4102-NJ2207E	Suction Radial Bearing (Female)		1
B12-1	4303-112	Washer	M12	1

Item	Part NO	Description	Specification	Amount
B12-2	4303-312	Spring Washer	M12	1
B12-3	4301-112020	Bolt	M12*20L	1
B13-1	3103-1106C	Oil Guiding Ring (Male Rotor)		1
B13-2	4102-NU2213E	Suction Radial Bearing (Male)		1
B13-3	3134-1104A	Suction Bearing Inner Spacer		1
B13-4	3134-1105A	Suction Bearing Outer Spacer		1
B13-5	4102-NU2213E	Suction Radial Bearing (Male)		1
B14-1	3103-1108A	Suction Bearing Fixed Ring (Male)		1
B14-2	4301-106016	Bolt	M6*16L	6
B15-1	3181-00411A	Motor Rotor Assembly (Motor A)		1
	3181-00431A	Motor Rotor Assembly (Motor B)		1
B15-2	3130-1032A	Motor Rotor Spacer (Motor A)		1
	3101-103AA	Motor Rotor Spacer (Motor B)		1
	3101-103BA	Motor Rotor Spacer (Motor B)		1
B15-3	3103-1017A	Motor Rotor Washer (Motor A)		1
	3134-1017A	Motor Rotor Washer (Motor B)		1
B15-4	4303-316	Spring Washer	M16	1
B15-5	4301-116045	Bolt (Motor A)	M16*45L	1
	4301-116075	Bolt (Motor B)	M16*75L	1
B16-1	4304-105A	Connector		1
B16-2	4302-306	Bonnet		1
B16-3	3101-1091A	Nut		1
B17-1	4304-102A	Connector		1
B17-2	4302-303	Bonnet		1
B17-3	4302-301	Nut		1
B18-1	3101-1168AC	Plug		1
B18-2	4201-VA119	O-Ring		1
B19-1	4304-101A	Elbow		2
B19-2	3101-1145E	Capillary		1
B20-1	3101-1158DA	Oil Filter Flange		1
B20-2	3101-1147BA	Oil Filter Flange Outer Gasket		1
B20-3	3101-1146A	Oil Filter Flange Inner Gasket		1
B20-4	3101-1143C	Oil Filter		1
B20-5	4301-112035	Bolt	M12*35L	6
B21-1	3101-1153BA	Plug		1
B21-2	4201-VP021	O-Ring		1
B22-1	4304-105A	Connector		1
B22-2	4302-306	Bonnet		1
B22-3	3101-1091A	Nut		1
C-Oil Separator				
C1	3134-1800FB	Oil Separator		1
C2	4301-120055	Bolt	M20*55L	20
C3	3103-1001AE	Oil Separator Gasket		1
C4-1	3188-7600C	Check Valve		1
C4-2	3131-1004AA	Connecting Flange Gasket		2
C4-3	4201-NP80	O-Ring		1
C4-4	3134-1015A	Discharge Flange Shield		1
C4-5	3131-1019AC	Flange		1
C4-6	4301-116055	Bolt	M16*55L	4
C4-7	4301-116040	Bolt	M16*40L	4
C5-1	4304-106A	Angle Valve		1
C5-2	4302-303	Bonnet		1
C5-3	4302-301	Nut		1
C6	4305-106	Plug		1
D-Motor				
D1	3134-2151CA	Motor Casing (Motor B)		1
D2	3103-1002AD	Motor Casing Gasket		1
D3-1	3181-XX41XA	Motor Stator Assembly (Motor A)		1
	3181-XX43XA	Motor Stator Assembly (Motor B)		1
D3-2	3131-2105AB	Copper Sleeve		1
D4-1	3134-2104AA	Motor Stator Guide Vane		2
D4-2	4301-108025	Bolt	M8*25L	6
D4-3	4303-308	Spring Washer	M8	6
D4-4	3101-2103CA	Plate		2
D5-1	3154-2102B	Motor Stator Fixing Plug		1
D5-2	4201-VP021	O-Ring		1
D6-1	4304-105A	Connector		1
D6-2	4302-306	Bonnet		1
D6-3	3101-1091A	Nut		1
D7-1	4304-102A	Connector		1
D7-2	4302-303	Bonnet		1
D7-3	4302-301	Nut		1
D8	4304-201A	Charging Valve		1
D9-1	4304-106A	Angle Valve		1
D9-2	4302-303	Bonnet		1
D9-3	4302-301	Nut		1
D10	3103-1004AD	Gasket		2
D11	3103-1024DB	Suction Filter		1
D12-1	3188-8300A	Stop Valve		1
D12-2	3103-1004AD	Gasket		1
D12-3	4201-NP110	O-Ring		1
D12-4	3107-1015A	Flange Shield		1
D12-5	3103-1019BC	Flange		1
D12-6	4301-120065	Bolt	M20*65L	4
D12-7	4301-120180	Bolt	M20*180L	4
D13	4301-116055	Bolt	M16*55L	20

12.8. RC2-300 Screw Compressor Part List

Item	Part NO	Description	Specification	Amount
A-Rotor & Bearing Seat				
A1	3104-1131EF	Bearing Seat		1
A2	3135-1232BE	Male Screw Rotor		1
A3	3104-1133BG	Female Screw Rotor		1
A4	3103-1023A	Motor Rotor Key		1
A5-1	3103-1134B	α Balance Piston		1
A5-2	4102-NU311E	Discharge Radial Bearing (Male)		1
A5-3	4101-7311BUO	Discharge Axial Bearing (Male)		3
A5-4	4302-255	Bearing Lock Nut		1
A5-5	3104-1109B	Discharge Bearing Fixed Ring (Male)		1
A5-6	4307-DB112	Disc Spring		1
A6-1	4102-NU2307E	Discharge Radial Bearing (Female)		1
A6-2	3103-1137B	Inner Spacer (Female)		1
A6-3	3103-113AA	Outer Spacer(Female)		1
A6-4	4101-7307BUO	Discharge Axial Bearing (Female)		3
A6-5	3104-1111B	Discharge Bearing Fixed Ring (Female)		1
A6-6	4302-235	Bearing Lock Nut		1
A6-7	4307-DB080	Disc Spring		1
A7-1	3103-1101AG	Discharge Cover Plate		1
A7-2	3103-1103AE	Discharge Cover Plate Gasket		1
A7-3	4301-112035	Bolt	M12*35L	13
A8-1	4301-112035	Bolt	M12*35L	1
A8-2	4303-312	Spring Washer	M12	1
A8-3	3101-1037B	Washer		1
A8-4	3103-1116D	Piston		1
A8-5	4201-CA339	O-Ring		2
A8-6	4202-T100	Piston Ring		2
A8-7	5112-GM69	Guide Ring		1
A8-8	4303-420	Copper Washer		1
A8-9	3104-1115AG	Piston Rod		1
A8-10	3104-1113A	Modulation Spring		1
A8-11	NA	NA	NA	1
A9	3103-1008B	Exhaust Tube Gasket		1
A10	3101-1102B	Position Pin		2
A11	4301-116045	Bolt	M16*45L	8
B-Compression Casing				
B1	3104-1141FA	Compression Casing		1
B2-1	3104-1112D	Slide Valve	Vi=2.6	1
	3104-1212D	Slide Valve	Vi=3.5	1
	3104-1412D	Slide Valve	Vi=3.0	1
	3104-1512D	Slide Valve	Vi=2.2	1
B2-2	3101-1114A	Slide Valve Key		1
B2-3	4301-106016	Bolt	M6*16L	1
B3-1	3104-1175A	Supporter for Slide Valve		1
B3-2	4301-110065	Bolt	M10*65L	4
B4-1	3101-1152DA-A	Oil Level Switch Flange	Standard	1
B4-2	3101-1148BA	Flange Gasket		2
B4-3	3101-116AC	Damper Shield		1
B4-4	4405-61	Oil Level Switch		1
B4-5	4201-VP008	O-Ring		1
B4-6	4201-VP021	O-Ring		1
B4-7	3101-1149D	Oil Level Switch Fitting		1
B4-8	4806-27	Cable Connector		1
B4-9	5107-03	PU Hose		1
B4-10	4305-108	Plug		1
B4-11	4301-112080	Bolt	M12*80L	6
B5-1	4304-106A	Angle Valve		1
B5-2	4302-303	Bonnet		1
B5-3	4302-301	Nut		1
B6-1	3101-1051CC	Oil Heater	220V,150W	1
	3101-1052CC	Oil Heater	220V,300W	1
	3101-0951CC	Oil Heater	110V,150W	1
	3101-0952CC	Oil Heater	110V,300W	1
B6-2	4806-28	Cable Connector		1
B6-3	5108-09	Plastic Corrugated Tube		1
B7-1	4804-17	Sight Glass		2
B7-2	4201-VA024	O-Ring		2
B8-1	3132-1080BD	Terminal Cover Plate (PTC+PT100/1000)		1
B8-2	4301-112035	Bolt	M12*35L	16
B8-3	3101-1006BA	Terminal Cover Plate Gasket		1
B9-1	4401-38	Solenoid Valve-Step,Gasket(NC)	Standard	1
	4401-39	Solenoid Valve-Stepless(NO)	Optional	1
B9-1-1	4401-38	Solenoid Valve-Step,Gasket(NC)		1
B9-1-2	3161-1168AA	Orifice	Optional	1
B9-2	4402-14	Solenoid Valve Coil	220V	2
	4402-15	Solenoid Valve Coil	110V	2
B9-3	3101-1003BA-A	Solenoid Valve Gasket		5
B9-4	4301-804012	Bolt	M4*12L	12
B9-4-1	4301-804016	Bolt	M4*20L	4
B9-5	3101-1039C	Cover Plate		2
B10-1	3135-1250BA	Economizer Port Flange		1
B10-2	3135-1252B	Shield of Economizer Port Flange		1
B10-3	3135-1151AA	Gasket of Economizer Port Flange		1
B10-4	4301-112040	Bolt	M12*40L	2
B11-1	3103-1107C	Oil-Guiding Ring (Female)		1
B11-2	4102-NJ2207E	Suction Radial Bearing (Female)		1
B12-1	4303-112	Washer	M12	1

Item	Part NO	Description	Specification	Amount
B12-2	4303-312	Spring Washer	M12	1
B12-3	4301-112020	Bolt	M12*20L	1
B13-1	3103-1106C	Oil-Guiding Ring (Male)		1
B13-2	4102-NU2213E	Suction Radial Bearing (Male)		1
B13-3	3103-1104A	Suction Bearing Inner Spacer		1
B13-4	3103-1105A	Suction Bearing Outer Spacer		1
B13-5	4102-NU2213E	Suction Radial Bearing (Male)		1
B14-1	3103-1108A	Suction Bearing Fixed Ring (Male)		1
B14-2	4301-106016	Bolt	M6*16L	6
B15-1	3181-00421A	Motor Rotor Assembly (Motor A)		1
	3181-00441A	Motor Rotor Assembly (Motor B)		1
B15-2	3130-1032A	Motor Rotor Spacer (Motor A)		1
	3101-1035B	Motor Rotor Spacer (Motor B)		1
B15-3	3103-1017A	Motor Rotor Washer (Motor A)		1
	3134-1017A	Motor Rotor Washer (Motor B)		1
B15-4	4303-316	Spring Washer	M16	1
B15-5	4301-116045	Bolt (Motor A)	M16*45L	1
	4301-116075	Bolt (Motor B)	M16*75L	1
B16-1	4304-105A	Connector		1
B16-2	4302-306	Bonnet		1
B16-3	3101-1091A	Nut		1
B17-1	4304-102A	Connector		1
B17-2	4302-303	Bonnet		1
B17-3	4302-301	Nut		1
B18-1	3101-1168AC	Plug		1
B18-2	4201-VA119	O-Ring		1
B19-1	4304-101A	Elbow		2
B19-2	3101-1145E	Capillary		1
B20-1	3101-1158DA	Oil Filter Flange		1
B20-2	3101-1147BA	Oil Filter Flange Outer Gasket		1
B20-3	3101-1146A	Oil Filter Flange Inner Gasket		1
B20-4	3101-1143C	Oil Filter		1
B20-5	4301-112035	Bolt	M12*35L	6
B21-1	3101-1153BA	Plug		1
B21-2	4201-VP021	O-Ring		1
B22-1	4304-105A	Connector		1
B22-2	4302-306	Bonnet		1
B22-3	3101-1091A	Nut		1
C-Oil Separator				
C1	3135-1800FB	Oil Separator		1
C2	4301-120055	Bolt	M20*55L	20
C3	3103-1001AE	Oil Separator Gasket		1
C4-1	3188-7600C	Check Valve		1
C4-2	3131-1004AA	Connecting Flange Gasket		2
C4-3	4201-NP80	O-Ring		1
C4-4	3134-1015A	Discharge Flange Shield		1
C4-5	3131-1019AC	Flange		1
C4-6	4301-116055	Bolt	M16*55L	4
C4-7	4301-116040	Bolt	M16*40L	4
C5-1	4304-106A	Angle Valve		1
C5-2	4302-303	Bonnet		1
C5-3	4302-301	Nut		1
C6	4305-110	Plug		1
D-Motor				
D1	3134-2151CA	Motor Casing (Motor A)		1
	3135-2151CA	Motor Casing (Motor B)		1
D2	3103-1002AD	Motor Casing Gasket		1
D3-1	3181-XX42XA	Motor Stator Assembly (Motor A)		1
	3181-XX44XA	Motor Stator Assembly (Motor B)		1
D3-2	3131-2105AB	Copper Sleeve		1
D4-1	3135-2104AA	Motor Stator Guide Vane		2
D4-2	4301-108025	Bolt	M8*25L	7
D4-3	4303-308	Spring Washer	M8	7
D4-4	3101-2103CA	Plate		2
D5-1	3154-2102B	Motor Stator Fixing Plug		1
D5-2	4201-VP021	O-Ring		1
D6-1	4304-105A	Connector		1
D6-2	4302-306	Bonnet		1
D6-3	3101-1091A	Nut		1
D7-1	4304-102A	Connector		1
D7-2	4302-303	Bonnet		1
D7-3	4302-301	Nut		1
D8	4304-201A	Charging Valve		1
D9-1	4304-106A	Angle Valve		1
D9-2	4302-303	Bonnet		1
D9-3	4302-301	Nut		1
D10	3103-1004AD	Gasket		2
D11	3103-1024DB	Suction Filter		1
D12-1	3188-8300A	Stop Valve		1
D12-2	3103-1004AD	Gasket		1
D12-3	4201-NP110	O-Ring		1
D12-4	3107-1015A	Flange Shield		1
D12-5	3103-1019BC	Flange		1
D12-6	4301-120065	Bolt	M20*65L	4
D12-7	4301-120180	Bolt	M20*180L	4
D13	4301-116055	Bolt	M16*55L	20

12.9. RC2-310 Screw Compressor Part List

Item	Part NO	Description	Specification	Amount
A-Rotor & Bearing Seat				
A1	3104-1131EF	Bearing Seat		1
A2	3154-1132BC	Male Screw Rotor		1
A3	3154-1133AE	Female Screw Rotor		1
A4	3103-1023A	Motor Rotor Key		1
A5-1	3103-1134B	α Balance Piston		1
A5-2	4102-NU311E	Discharge Radial Bearing (Male)		1
A5-3	4101-7311BUO	Discharge Axial Bearing (Male)		3
A5-4	4302-255	Bearing Lock Nut		1
A5-5	3104-1109B	Discharge Bearing Fixed Ring (Male)		1
A5-6	4307-DB112	Disc Spring		1
A6-1	4102-NU2307E	Discharge Radial Bearing (Female)		1
A6-2	3103-1137B	Inner Spacer (Female)		1
A6-3	3103-113AA	Outer Spacer (Female)		1
A6-4	4101-7307BUO	Discharge Axial Bearing (Female)		3
A6-5	3104-1111B	Discharge Bearing Fixed Ring (Female)		1
A6-6	4302-235	Bearing Lock Nut		1
A6-7	4307-DB080	Disc Spring		1
A7-1	3103-1101AG	Discharge Cover Plate		1
A7-2	3103-1103AE	Discharge Cover Plate Gasket		1
A7-3	4301-112035	Bolt	M12*35L	13
A8-1	4301-112035	Bolt	M12*35L	1
A8-2	4303-312	Spring Washer	M12	1
A8-3	3101-1037B	Washer		1
A8-4	3103-1116D	Piston		1
A8-5	4201-CA339	O-Ring		2
A8-6	4202-T100	Piston Ring		2
A8-7	5112-GM69	Guide Ring		1
A8-8	4303-420	Copper Washer		1
A8-9	3104-1115AG	Piston Rod		1
A8-10	3104-1113A	Modulation Spring		1
A8-11	NA	NA	NA	1
A9	3103-1008B	Exhaust Tube Gasket		1
A10	3101-1102B	Position Pin		2
A11	4301-116045	Bolt	M16*45L	8
B-Compression Casing				
B1	3154-1141EA	Compression Casing		1
B2-1	3154-1112D	Slide Valve	Vi=2.6	1
	3154-1212D	Slide Valve	Vi=3.5	1
	3154-1412D	Slide Valve	Vi=3.0	1
	3154-1512D	Slide Valve	Vi=2.2	1
B2-2	3101-1114A	Slide Valve Key		1
B2-3	4301-106016	Bolt	M6*16L	1
B3-1	3104-1175A	Supporter for Slide Valve		1
B3-2	4301-110065	Bolt	M10*65L	4
B4-1	3101-1152DA-A	Oil Level Switch Flange	Standard	1
B4-2	3101-1148BA	Flange Gasket		2
B4-3	3101-116AC	Damper Shield		1
B4-4	4405-61	Oil Level Switch		1
B4-5	4201-VP008	O-Ring		1
B4-6	4201-VP021	O-Ring		1
B4-7	3101-1149D	Oil Level Switch Fitting		1
B4-8	4806-27	Cable Connector		1
B4-9	5107-03	PU Hose		1
B4-10	4305-108	Plug		1
B4-11	4301-112080	Bolt	M12*&L	6
B5-1	4304-106A	Angle Valve		1
B5-2	4302-303	Bonnet		1
B5-3	4302-301	Nut		1
B6-1	3101-1051CC	Oil Heater	220V,150W	1
	3101-1052CC	Oil Heater	220V,300W	1
	3101-0951CC	Oil Heater	110V,150W	1
	3101-0952CC	Oil Heater	110V,300W	1
B6-2	4806-28	Cable Connector		1
B6-3	5108-09	Plastic Corrugated Tube		1
B7-1	4804-17	Sight Glass		2
B7-2	4201-VA024	O-Ring		2
B8-1	3132-1080BD	Terminal Cover Plate (PTC+PT100/1000)		1
B8-2	4301-112035	Bolt	M12*35L	16
B8-3	3101-1006BA	Terminal Cover Plate Gasket		1
B9-1	4401-38	Solenoid Valve-Step,Gasket(NC)	Standard	1
	4401-39	Solenoid Valve-Stepless(NO)	Optional	1
B9-1-1	4401-38	Solenoid Valve-Step,Gasket(NC)		1
B9-1-2	3161-1168AA	Orifice	Optional	1
B9-2	4402-14	Solenoid Valve Coil	220V	2
	4402-15	Solenoid Valve Coil	110V	2
B9-3	3101-1003BA-A	Solenoid Valve Gasket		5
B9-4	4301-804012	Bolt	M4*12L	12
B9-4-1	4301-804016	Bolt	M4*20L	4
B9-5	3101-1039C	Cover Plate		2
B10-1	3135-1250BA	Economizer Port Flange		1
B10-2	3135-1252B	Shield of Economizer Port Flange		1
B10-3	3135-1151AA	Gasket of Economizer Port Flange		1
B10-4	4301-112040	Bolt	M12*40L	2
B11-1	3103-1107C	Oil-Guiding Ring (Female)		1
B11-2	4102-NJ2207E	Suction Radial Bearing (Female)		1
B12-1	4303-112	Washer		1

Item	Part NO	Description	Specification	Amount
B12-2	4303-312	Spring Washer		1
B12-3	4301-112020	Bolt	M12*20L	1
B13-1	3103-1106C	Oil-Guiding Ring (Male)		1
B13-2	4102-NU2213E	Suction Radial Bearing (Male)		1
B13-3	3195-1104B	Suction Bearing Inner Spacer		1
B13-4	3195-1105B	Suction Bearing Outer Spacer		1
B13-5	4102-NU2213E	Suction Radial Bearing (Male)		1
B14-1	3103-1108A	Suction Bearing Fixed Ring (Male)		1
B14-2	4301-106016	Bolt	M6*16L	6
B15-1	3181-00421A	Motor Rotor Assembly (Motor A)		1
	3181-00441A	Motor Rotor Assembly (Motor B)		1
B15-2	3130-1032A	Motor Rotor Spacer (Motor A)		1
	3101-1035B	Motor Rotor Spacer (Motor B)		1
B15-3	3103-1017A	Motor Rotor Washer (Motor A)		1
	3134-1017A	Motor Rotor Washer (Motor B)		1
B15-4	4303-316	Spring Washer	M16	1
B15-5	4301-116045	Bolt (Motor A)	M16*45L	1
	4301-116075	Bolt (Motor B)	M16*75L	1
B16-1	4304-105A	Connector		1
B16-2	4302-306	Bonnet		1
B16-3	3101-1091A	Nut		1
B17-1	4304-102A	Connector		1
B17-2	4302-303	Bonnet		1
B17-3	4302-301	Nut		1
B18-1	3101-1168AC	Plug		1
B18-2	4201-VA119	O-Ring		1
B19-1	4304-101A	Elbow		2
B19-2	3101-1145E	Capillary		1
B20-1	3101-1158DA	Oil Filter Flange		1
B20-2	3101-1147BA	Oil Filter Flange Outer Gasket		1
B20-3	3101-1146A	Oil Filter Flange Inner Gasket		1
B20-4	3101-1143C	Oil Filter		1
B20-5	4301-112035	Bolt	M12*35L	6
B21-1	3101-1153BA	Plug		1
B21-2	4201-VP021	O-Ring		1
B22-1	4304-105A	Connector		1
B22-2	4302-306	Bonnet		1
B22-3	3101-1091A	Nut		1
C-Oil Separator				
C1	3135-1800FB	Oil Separator		1
C2	4301-120055	Bolt	M20*55L	20
C3	3103-1001AE	Oil Separator Gasket		1
C4-1	3188-7600C	Check Valve		1
C4-2	3131-1004AA	Connecting Flange Gasket		2
C4-3	4201-NP80	O-Ring		1
C4-4	3134-1015A	Discharge Flange Shield		1
C4-5	3131-1019AC	Flange		1
C4-6	4301-116055	Bolt	M16*55L	4
C4-7	4301-116040	Bolt	M16*40L	4
C5-1	4304-106A	Angle Valve		1
C5-2	4302-303	Bonnet		1
C5-3	4302-301	Nut		1
C6	4305-110	Plug		1
D-Motor				
D1	3154-2101CA	Motor Casing		1
D2	3103-1002AD	Motor Casing Gasket		1
D3-1	3181-XX42XA	Motor Stator Assembly (Motor A)		1
	3181-XX44XA	Motor Stator Assembly (Motor B)		1
D3-2	3131-2105AB	Copper Sleeve		1
D4-1	3154-2104BB	Motor Stator Guide Vane		1
D4-2	4301-108025	Bolt	M8*25L	7
D4-3	4303-308	Spring Washer		7
D4-4	3101-2103CA	Plate		2
D5-1	3154-2102B	Motor Stator Fixing Plug		1
D5-2	4201-VP021	O-Ring		1
D6-1	4304-105A	Connector		1
D6-2	4302-306	Bonnet		1
D6-3	3101-1091A	Nut		1
D7-1	4304-102A	Connector		1
D7-2	4302-303	Bonnet		1
D7-3	4302-301	Nut		1
D8	4304-201A	Charging Valve		1
D9-1	4304-106A	Angle Valve		1
D9-2	4302-303	Bonnet		1
D9-3	4302-301	Nut		1
D10	3103-1004AD	Gasket		2
D11	3103-1024DB	Suction Filter		1
D12-1	3188-8300A	Stop Valve		1
D12-2	3103-1004AD	Gasket		1
D12-3	4201-NP110	O-Ring		1
D12-4	3107-1015A	Flange Shield		1
D12-5	3103-1019BC	Flange		1
D12-6	4301-120065	Bolt	M20*65L	4
D12-7	4301-120180	Bolt	M20*180L	4
D13	4301-116055	Bolt	M16*55L	20

12.10. RC2-320 Screw Compressor Part List (Discontinued)

Item	Part NO	Description	Specification	Amount
A-Rotor & Bearing Seat				
A1	3104-1131EF	Bearing Seat		1
A2	3195-1232AC	Male Screw Rotor		1
A3	3195-1133BC	Female Screw Rotor		1
A4	3103-1023A	Motor Rotor Key		1
A5-1	3103-1134B	α Balance Piston		1
A5-2	4102-NU311E	Discharge Radial Bearing (Male)		1
A5-3	4101-7311BUO	Discharge Axial Bearing (Male)		3
A5-4	4302-255	Bearing Lock Nut		1
A5-5	3104-1109B	Discharge Bearing Fixed Ring (Male)		1
A5-6	4307-DB112	Disc Spring		1
A6-1	4102-NU2307E	Discharge Radial Bearing (Female)		1
A6-2	3103-1137B	Inner Spacer (Female)		1
A6-3	3103-113AA	Outer Spacer (Female)		1
A6-4	4101-7307BUO	Discharge Axial Bearing (Female)		3
A6-5	3104-1111B	Discharge Bearing Fixed Ring (Female)		1
A6-6	4302-235	Bearing Lock Nut		1
A6-7	4307-DB080	Disc Spring		1
A7-1	3103-1101AG	Discharge Cover Plate		1
A7-2	3103-1103AE	Discharge Cover Plate Gasket		1
A7-3	4301-112035	Bolt	M12*35L	13
A8-1	4301-112035	Bolt	M12*35L	1
A8-2	4303-312	Spring Washer	M12	1
A8-3	3101-1037B	Washer		1
A8-4	3103-1116D	Piston		1
A8-5	4201-CA339	O-Ring		2
A8-6	4202-T100	Piston Ring		2
A8-7	5112-GM69	Guide Ring		1
A8-8	4303-420	Copper Washer		1
A8-9	3104-1115AG	Piston Rod		1
A8-10	3104-1113A	Modulation Spring		1
A8-11	NA	NA	NA	NA
A9	3103-1008B	Exhaust Tube Gasket		1
A10	3101-1102B	Position Pin		2
A11	4301-116045	Bolt	M16*45L	8
B-Compression Casing				
B1	3195-1141FA	Compression Casing		1
B2-1	3104-1112D	Slide Valve	Vi=2.6	1
	3104-1212D	Slide Valve	Vi=3.5	1
	3104-1412D	Slide Valve	Vi=3.0	1
	3104-1512D	Slide Valve	Vi=2.2	1
B2-2	3101-1114A	Slide Valve Key		1
B2-3	4301-106016	Bolt	M6*16L	1
B3-1	3104-1175A	Supporter for Slide Valve		1
B3-2	4301-110065	Bolt	M10*65L	4
B4-1	3101-1152DA-A	Oil Level Switch Flange	Standard	1
B4-2	3101-1148BA	Flange Gasket		2
B4-3	3101-116AC	Damper Shield		1
B4-4	4405-61	Oil Level Switch		1
B4-5	4201-VP008	O-Ring		1
B4-6	4201-VP021	O-Ring		1
B4-7	3101-1149D	Oil Level Switch Fitting		1
B4-8	4806-27	Cable Connector		1
B4-9	5107-03	PU Hose		1
B4-10	4305-108	Plug		1
B4-11	4301-112080	Bolt	M12*80L	6
B5-1	4304-106A	Angle Valve		1
B5-2	4302-303	Bonnet		1
B5-3	4302-301	Nut		1
B6-1	3101-1051CC	Oil Heater	220V,150W	1
	3101-1052CC	Oil Heater	220V,300W	1
	3101-0951CC	Oil Heater	110V,150W	1
	3101-0952CC	Oil Heater	110V,300W	1
B6-2	4806-28	Cable Connector		1
B6-3	5108-09	Plastic Corrugated Tube		1
B7-1	4804-17	Sight Glass		2
B7-2	4201-VA024	O-Ring		2
B8-1	3132-1080BD	Terminal Cover Plate (PTC+PT100/1000)		1
B8-2	4301-112035	Bolt	M12*35L	16
B8-3	3101-1006BA	Terminal Cover Plate Gasket		1
B9-1	4401-38	Solenoid Valve-Step,Gasket(NC)	Standard	1
	4401-39	Solenoid Valve-Stepless(NO)	Optional	1
B9-1-1	4401-38	Solenoid Valve-Step,Gasket(NC)		1
B9-1-2	3161-1168AA	Orifice	Optional	1
B9-2	4402-14	Solenoid Valve Coil	220V	2
	4402-15	Solenoid Valve Coil	110V	2
B9-3	3101-1003BA-A	Solenoid Valve Gasket		5
B9-4	4301-804012	Bolt	M4*12L	12
B9-4-1	4301-804016	Bolt	M4*20L	4
B9-5	3101-1039C	Cover Plate		2
B10-1	3135-1250BA	Economizer Port Flange		1
B10-2	3135-1252B	Shield of Economizer Port Flange		1
B10-3	3135-1151AA	Gasket of Economizer Port Flange		1
B10-4	4301-112040	Bolt	M12*40L	2
B11-1	3103-1107C	Oil-Guiding Ring (Female)		1
B11-2	4102-NJ2207E	Suction Radial Bearing (Female)		1
B12-1	4303-112	Washer	M12	1

Item	Part NO	Description	Specification	Amount
B12-2	4303-312	Spring Washer	M12	1
B12-3	4301-112020	Bolt	M12*20L	1
B13-1	3103-1106C	Oil Guiding Ring (Male)		1
B13-2	4102-NU2213E	Suction Radial Bearing (Male)		1
B13-3	3195-1104B	Suction Bearing Inner Spacer		1
B13-4	3195-1105B	Suction Bearing Outer Spacer		1
B13-5	4102-NU2213E	Suction Radial Bearing (Male)		1
B14-1	3103-1108A	Suction Bearing Fixed Ring (Male)		1
B14-2	4301-106016	Bolt	M6*16L	6
B15-1	3181-00421A	Motor Rotor Assembly (Motor A)		1
	3181-00441A	Motor Rotor Assembly (Motor B)		1
B15-2	3130-1032A	Motor Rotor Spacer (Motor A)		1
	3101-1035B	Motor Rotor Spacer (Motor B)		1
B15-3	3103-1017A	Motor Rotor Washer (Motor A)		1
	3134-1017A	Motor Rotor Washer (Motor B)		1
B15-4	4303-316	Spring Washer	M16	1
B15-5	4301-116045	Bolt (Motor A)	M16*45L	1
	4301-116070	Bolt (Motor B)	M16*70L	1
B16-1	4304-105A	Connector		1
B16-2	4302-306	Bonnet		1
B16-3	3101-1091A	Nut		1
B17-1	4304-102A	Connector		1
B17-2	4302-303	Bonnet		1
B17-3	4302-301	Nut		1
B18-1	3101-1168AC	Plug		1
B18-2	4201-VA119	O-Ring		1
B19-1	4304-101A	Elbow		2
B19-2	3101-1145E	Capillary		1
B20-1	3101-1158DA	Oil Filter Flange		1
B20-2	3101-1147BA	Oil Filter Flange Outer Gasket		1
B20-3	3101-1146A	Oil Filter Flange Inner Gasket		1
B20-4	3101-1143C	Oil Filter		1
B20-5	4301-112035	Bolt	M12*35L	6
B21-1	3101-1153BA	Plug		1
B21-2	4201-VP021	O-Ring		1
B22-1	4304-105A	Connector		1
B22-2	4302-306	Bonnet		1
B22-3	3101-1091A	Nut		1
C-Oil Separator				
C1	3135-1800FB	Oil Separator		1
C2	4301-120055	Bolt		20
C3	3103-1001AE	Oil Separator Gasket		1
C4-1	3188-7600C	Check Valve		1
C4-2	3131-1004AA	Connecting Flange Gasket		2
C4-3	4201-NP80	O-Ring		1
C4-4	3134-1015A	Discharge Flange Shield		1
C4-5	3131-1019AC	Flange		1
C4-6	4301-116055	Bolt	M16*55L	4
C4-7	4301-116040	Bolt	M16*40L	4
C5-1	4304-106A	Angle Valve		1
C5-2	4302-303	Bonnet		1
C5-3	4302-301	Nut		1
C6	4305-110	Plug		1
D-Motor				
D1	3134-2151CA	Motor Casing (Motor A)		1
	3135-2151CA	Motor Casing (Motor B)		1
D2	3103-1002AD	Motor Casing Gasket		1
D3-1	3181-XX42XA	Motor Stator Assembly (Motor A)		1
	3181-XX44XA	Motor Stator Assembly (Motor B)		1
D3-2	3131-2105AB	Copper Sleeve		1
D4-1	3134-2104AA	Motor Stator Guide Vane		2
D4-2	4301-108025	Bolt	M8*25L	7
D4-3	4303-308	Spring Washer		7
D4-4	3101-2103CA	Plate		2
D5-1	3154-2102B	Motor Stator Fixing Plug		1
D5-2	4201-VP021	O-Ring		1
D6-1	4304-105A	Connector		1
D6-2	4302-306	Bonnet		1
D6-3	3101-1091A	Nut		1
D7-1	4304-102A	Connector		1
D7-2	4302-303	Bonnet		1
D7-3	4302-301	Nut		1
D8	4304-201A	Charging Valve		1
D9-1	4304-106A	Angle Valve		1
D9-2	4302-303	Bonnet		1
D9-3	4302-301	Nut		1
D10	3103-1004AD	Gasket		2
D11	3103-1024DB	Suction Filter		1
D12-1	3188-8300A	Stop Valve		1
D12-2	3103-1004AD	Gasket		1
D12-3	4201-NP110	O-Ring		1
D12-4	3107-1015A	Flange Shield		1
D12-5	3103-1019BC	Flange		1
D12-6	4301-120065	Bolt	M20*65L	4
D12-7	4301-120180	Bolt	M20*180L	4
D13	4301-116055	Bolt	M16*55L	20

12.11. RC2-340 Screw Compressor Part List

Item	Part NO	Description	Specification	Amount
A-Rotor & Bearing Seat				
A1	3104-1131EF	Bearing Seat		1
A2	3165-1132BE	Male Screw Rotor		1
A3	3165-1133AE	Female Screw Rotor		1
A4	3101-1023A	Motor Rotor Key (Motor A)		1
	3155-1023A	Motor Rotor Key (Motor B)		1
A5-1	3103-1134B	α Balance Piston		1
A5-2	4102-NU311E	Discharge Radial Bearing (Male)		1
A5-3	4101-7311BUO	Discharge Axial Bearing (Male)		3
A5-4	4302-255	Bearing Lock Nut		1
A5-5	3104-1109B	Discharge Bearing Fixed Ring (Male)		1
A5-6	4307-DB112	Disc Spring		1
A6-1	4102-NU2307E	Discharge Radial Bearing (Female)		1
A6-2	3103-1137B	Inner Spacer (Female)		1
A6-3	3103-113AA	Outer Spacer (Female)		1
A6-4	4101-7307BUO	Discharge Axial Bearing (Female)		3
A6-5	3104-1111B	Discharge Bearing Fixed Ring (Female)		1
A6-6	4302-235	Bearing Lock Nut		1
A6-7	4307-DB080	Disc Spring		1
A7-1	3103-1101AG	Discharge Cover Plate		1
A7-2	3103-1103AE	Discharge Cover Plate Gasket		1
A7-3	4301-112035	Bolt	M12*35L	13
A8-1	4301-112035	Bolt	M12*35L	1
A8-2	4303-312	Spring Washer	M12	1
A8-3	3101-1037B	Washer		1
A8-4	3103-1116D	Piston		1
A8-5	4201-CA339	O-Ring		2
A8-6	4202-T100	Piston Ring		2
A8-7	5112-GM69	Guide Ring		1
A8-8	4303-420	Copper Washer		1
A8-9	3104-1115AG	Piston Rod		1
A8-10	3104-1113A	Modulation Spring		1
A8-11	NA	NA	NA	NA
A9	3103-1008B	Exhaust Tube Gasket		1
A10	3101-1102B	Position Pin		2
A11	4301-116045	Bolt	M16*45L	8
B-Compression Casing				
B1	3165-1141EA	Compression Casing		1
B2-1	3165-1112C	Slide Valve	Vi=2.6	1
	3165-1212C	Slide Valve	Vi=3.5	1
	3165-1412C	Slide Valve	Vi=3.0	1
	3165-1512C	Slide Valve	Vi=2.2	1
B2-2	3101-1114A	Slide Valve Key		1
B2-3	4301-106016	Bolt	M6*16L	1
B3-1	3104-1175A	Supporter for Slide Valve		1
B3-2	4301-110065	Bolt	M10*65L	4
B4-1	3101-1152DA-A	Oil Level Switch Flange	Standard	1
B4-2	3101-1148BA	Flange Gasket		2
B4-3	3101-116AC	Damper Shield		1
B4-4	4405-61	Oil Level Switch		1
B4-5	4201-VP008	O-Ring		1
B4-6	4201-VP021	O-Ring		1
B4-7	3101-1149D	Oil Level Switch Fitting		1
B4-8	4806-27	Cable Connector		1
B4-9	5107-03	PU Hose		1
B4-10	4305-108	Plug		1
B4-11	4301-112080	Bolt		6
B5-1	4304-106A	Angle Valve		1
B5-2	4302-303	Bonnet		1
B5-3	4302-301	Nut		1
B6-1	3101-1051CC	Oil Heater	220V,150W	1
	3101-1052CC	Oil Heater	220V,300W	1
	3101-0951CC	Oil Heater	110V,150W	1
	3101-0952CC	Oil Heater	110V,300W	1
B6-2	4806-28	Cable Connector		1
B6-3	5108-09	Plastic Corrugated Tube		1
B7-1	4804-17	Sight Glass		2
B7-2	4201-VA024	O-Ring		2
B8-1	3132-1080BD	Terminal Cover Plate (PTC+PT100/1000)		1
B8-2	4301-112035	Bolt	M12*35L	16
B8-3	3101-1006BA	Terminal Cover Plate Gasket		1
B9-1	4401-38	Solenoid Valve-Step,Gasket(NC)	Standard	1
	4401-39	Solenoid Valve-Stepless(NO)	Optional	1
B9-1-1	4401-38	Solenoid Valve-Step,Gasket(NC)		1
B9-1-2	3161-1168AA	Orifice	Optional	1
B9-2	4402-14	Solenoid Valve Coil	220V	2
	4402-15	Solenoid Valve Coil	110V	2
B9-3	3101-1003BA-A	Solenoid Valve Gasket		5
B9-4	4301-804012	Bolt	M4*12L	12
B9-4-1	4301-804016	Bolt	M4*20L	4
B9-5	3101-1039C	Cover Plate		2
B10-1	3135-1250BA	Economizer Port Flange		1
B10-2	3135-1252B	Shield of Economizer Port Flange		1
B10-3	3135-1151AA	Gasket of Economizer Port Flange		1
B10-4	4301-112040	Bolt	M12*40L	2
B11-1	3103-1107C	Oil-Guiding Ring (Female)		1
B11-2	4102-NJ2207E	Suction Radial Bearing (Female)		1

Item	Part NO	Description	Specification	Amount
B12-1	4303-112	Washer		1
B12-2	4303-312	Spring Washer		1
B12-3	4301-112020	Bolt	M12*20L	1
B13-1	3103-1106C	Oil-Guiding Ring (Male)		1
B13-2	4102-NU2213E	Suction Radial Bearing (Male)		1
B13-3	3195-1104B	Suction Bearing Inner Spacer		1
B13-4	3195-1105B	Suction Bearing Outer Spacer		1
B13-5	4102-NU2213E	Suction Radial Bearing (Male)		1
B14-1	3103-1108A	Suction Bearing Fixed Ring (Male)		1
B14-2	4301-106016	Bolt	M6*16L	6
B15-1	3181-00431A	Motor Rotor Assembly (Motor A)		1
	3181-00451A	Motor Rotor Assembly (Motor B)		1
B15-2	3130-1032A	Motor Rotor Spacer (Motor A)		1
	3143-1033A	Motor Rotor Spacer (Motor B)		1
B15-3	3103-1017A	Motor Rotor Washer (Motor A)		1
	3134-1017A	Motor Rotor Washer (Motor B)		1
B15-4	4303-316	Spring Washer		1
B15-5	4301-116045	Bolt (Motor A)	M16*45L	1
	4301-116110	Bolt (Motor B)	M16*110L	1
B16-1	4304-105A	Connector		1
B16-2	4302-306	Bonnet		1
B16-3	3101-1091A	Nut		1
B17-1	4304-102A	Connector		1
B17-2	4302-303	Bonnet		1
B17-3	4302-301	Nut		1
B18-1	3101-1168AC	Plug		1
B18-2	4201-VA119	O-Ring		1
B19-1	4304-101A	Elbow		2
B19-2	3101-1145E	Capillary		1
B20-1	3101-1158DA	Oil Filter Flange		1
B20-2	3101-1147BA	Oil Filter Flange Outer Gasket		1
B20-3	3101-1146A	Oil Filter Flange Inner Gasket		1
B20-4	3101-1143C	Oil Filter		1
B20-5	4301-112035	Bolt	M12*35L	6
B21-1	3101-1153BA	Plug		1
B21-2	4201-VP021	O-Ring		1
B22-1	4304-105A	Connector		1
B22-2	4302-306	Bonnet		1
B22-3	3101-1091A	Nut		1
C-Oil Separator				
C1	3155-1800FB	Oil Separator		1
C2	4301-120055	Bolt	M20*55L	20
C3	3103-1001AE	Oil Separator Gasket		1
C4-1	3188-7200C	Check Valve		1
C4-2	3101-1004AD	Connecting Flange Gasket		2
C4-3	4201-NP100	O-Ring		1
C4-4	3103-101EB	Discharge Flange Shield		1
C4-5	3102-1019AC	Flange		1
C4-6	4301-116060	Bolt	M16*60L	4
C4-7	4301-116045	Bolt	M16*45L	4
C5-1	4304-106A	Angle Valve		1
C5-2	4302-303	Bonnet		1
C5-3	4302-301	Nut		1
C6	4305-110	Plug		1
D-Motor				
D1	3155-2101CA	Motor Casing (Motor A)		1
	3165-2101CA	Motor Casing (Motor B)		1
D2	3103-1002AD	Motor Casing Gasket		1
D3-1	3181-XX43XA	Motor Stator Assembly (Motor A)		1
	3181-XX45XA	Motor Stator Assembly (Motor B)		1
D3-2	3131-2105AB	Copper Sleeve		1
D4-1	3164-2104BA	Motor Stator Guide Vane		2
D4-2	4301-108025	Bolt	M8*25L	6
D4-3	4303-308	Spring Washer		6
D4-4	3101-2103CA	Plate		2
D5-1	3154-2102B	Motor Stator Fixing Plug		1
D5-2	4201-VP021	O-Ring		1
D6-1	4304-105A	Connector		1
D6-2	4302-306	Bonnet		1
D6-3	3101-1091A	Nut		1
D7-1	4304-102A	Connector		1
D7-2	4302-303	Bonnet		1
D7-3	4302-301	Nut		1
D8	4304-201A	Charging Valve		1
D9-1	4304-106A	Angle Valve		1
D9-2	4302-303	Bonnet		1
D9-3	4302-301	Nut		1
D10	3105-1004AD	Gasket		2
D11	3105-1024DC	Suction Filter		1
D12-1	3188-8400A	Stop Valve		1
D12-2	3105-1004AD	Gasket		1
D12-3	4201-NP135	O-Ring		1
D12-4	3108-1015A	Flange Shield		1
D12-5	3105-1019BC	Flange		1
D12-6	4301-120070	Bolt	M20*70L	4
D12-7	4301-120200	Bolt	M20*200L	4
D13	4301-116055	Bolt	M16*55L	20

12.12. RC2-370 Screw Compressor Part List

Item	Part NO	Description	Specification	Amount
A-Rotor & Bearing Seat				
A1	3104-1131EF	Bearing Seat		1
A2	3155-1132CD	Male Screw Rotor		1
A3	3155-1133BC	Female Screw Rotor		1
A4	3101-1023A	Motor Rotor Key (Motor A)		1
	3155-1023A	Motor Rotor Key (Motor B)		1
A5-1	3103-1134B	α Balance Piston		1
A5-2	4102-NU311E	Discharge Radial Bearing (Male)		1
A5-3	4101-7311BUO	Discharge Axial Bearing (Male)		3
A5-4	4302-255	Bearing Lock Nut		1
A5-5	3104-1109B	Discharge Bearing Fixed Ring (Male)		1
A5-6	4307-DB112	Disc Spring		1
A6-1	4102-NU2307E	Discharge Radial Bearing (Female)		1
A6-2	3103-1137B	Inner Spacer (Female)		1
A6-3	3103-113AA	Outer Spacer (Female)		1
A6-4	4101-7307BUO	Discharge Axial Bearing (Female)		3
A6-5	3104-1111B	Discharge Bearing Fixed Ring (Female)		1
A6-6	4302-235	Bearing Lock Nut		1
A6-7	4307-DB080	Disc Spring		1
A7-1	3103-1101AG	Discharge Cover Plate		1
A7-2	3103-1103AE	Discharge Cover Plate Gasket		1
A7-3	4301-112035	Bolt	M12*35L	13
A8-1	4301-112035	Bolt	M12*35L	1
A8-2	4303-312	Spring Washer	M12	1
A8-3	3101-1037B	Washer		1
A8-4	3103-1116D	Piston		1
A8-5	4201-CA339	O-Ring		2
A8-6	4202-T100	Piston Ring		2
A8-7	5112-GM69	Guide Ring		1
A8-8	4303-420	Copper Washer		1
A8-9	3104-1115AG	Piston Rod		1
A8-10	3104-1113A	Modulation Spring		1
A8-11	NA	NA	NA	NA
A9	3103-1008B	Exhaust Tube Gasket		1
A10	3101-1102B	Position Pin		2
A11	4301-116045	Bolt	M16*45L	8
B-Compression Casing				
B1	3155-1141EA	Compression Casing		1
B2-1	3155-1112C	Slide Valve	Vi=2.6	1
	3155-1212C	Slide Valve	Vi=3.5	1
	3155-1412C	Slide Valve	Vi=3.0	1
	3155-1512C	Slide Valve	Vi=2.2	1
B2-2	3101-1114A	Slide Valve Key		1
B2-3	4301-106016	Bolt	M6*16L	1
B3-1	3104-1175A	Supporter for Slide Valve		1
B3-2	4301-110065	Bolt	M10*65L	4
B4-1	3101-1152DA-A	Oil Level Switch Flange	Standard	1
B4-2	3101-1148BA	Flange Gasket		2
B4-3	3101-116AC	Damper Shield		1
B4-4	4405-61	Oil Level Switch		1
B4-5	4201-VP008	O-Ring		1
B4-6	4201-VP021	O-Ring		1
B4-7	3101-1149D	Oil Level Switch Fitting		1
B4-8	4806-27	Cable Connector		1
B4-9	5107-03	PU Hose		1
B4-10	4305-108	Plug		1
B4-11	4301-112080	Bolt	M12*80L	6
B5-1	4304-106A	Angle Valve		1
B5-2	4302-303	Bonnet		1
B5-3	4302-301	Nut		1
B6-1	3101-1051CC	Oil Heater	220V, 150W	1
	3101-1052CC	Oil Heater	220V, 300W	1
	3101-0951CC	Oil Heater	110V, 150W	1
	3101-0952CC	Oil Heater	110V, 300W	1
B6-2	4806-28	Cable Connector		1
B6-3	5108-09	Plastic Corrugated Tube		1
B7-1	4804-17	Sight Glass		2
B7-2	4201-VA024	O-Ring		2
B8-1	3132-1080BD	Terminal Cover Plate (PTC+PT100/1000)		1
B8-2	4301-112035	Bolt	M12*35L	16
B8-3	3101-1006BA	Terminal Cover Plate Gasket		1
B9-1	4401-38	Solenoid Valve-Step.Gasket(NC)	Standard	1
	4401-39	Solenoid Valve-Stepless(NO)	Optional	1
B9-1-1	4401-38	Solenoid Valve-Step.Gasket(NC)		1
B9-1-2	3161-1168AA	Orifice	Optional	1
B9-2	4402-14	Solenoid Valve Coil	220V	2
	4402-15	Solenoid Valve Coil	110V	2
B9-3	3101-1003BA-A	Solenoid Valve Gasket		5
B9-4	4301-804012	Bolt	M4*12L	12
B9-4-1	4301-804016	Bolt	M4*20L	4
B9-5	3101-1039C	Cover Plate		2
B10-1	3135-1250BA	Economizer Port Flange		1
B10-2	3135-1252B	Shield of Economizer Port Flange		1
B10-3	3135-1151AA	Gasket of Economizer Port Flange		1
B10-4	4301-112040	Bolt	M12*40L	2
B11-1	3103-1107C	Oil-Guiding Ring (Female)		1
B11-2	4102-NJ2207E	Suction Radial Bearing (Female)		1

Item	Part NO	Description	Specification	Amount
B12-1	4303-112	Washer	M12	1
B12-2	4303-312	Spring Washer	M12	1
B12-3	4301-112020	Bolt	M12*20L	1
B13-1	3103-1106C	Oil Guiding Ring (Male)		1
B13-2	4102-NU2213E	Suction Radial Bearing (Male)		1
B13-3	3195-1104B	Suction Bearing Inner Spacer		1
B13-4	3195-1105B	Suction Bearing Outer Spacer		1
B13-5	4102-NU2213E	Suction Radial Bearing (Male)		1
B14-1	3103-1108A	Suction Bearing Fixed Ring (Male)		1
B14-2	4301-106016	Bolt	M6*16L	6
B15-1	3181-00431A	Motor Rotor Assembly (Motor A)		1
	3181-00451A	Motor Rotor Assembly (Motor B)		1
B15-2	3130-1032A	Motor Rotor Spacer (Motor A)		1
	3143-1033A	Motor Rotor Spacer (Motor B)		1
B15-3	3103-1017A	Motor Rotor Washer (Motor A)		1
	3134-1017A	Motor Rotor Washer (Motor B)		1
B15-4	4303-316	Spring Washer	M16	1
B15-5	4301-116045	Bolt (Motor A)	M16 *45L	1
	4301-116110	Bolt (Motor B)	M16*110L	1
B16-1	4304-105A	Connector		1
B16-2	4302-306	Bonnet		1
B16-3	3101-1091A	Nut		1
B17-1	4304-102A	Connector		1
B17-2	4302-303	Bonnet		1
B17-3	4302-301	Nut		1
B18-1	3101-1168AC	Plug		1
B18-2	4201-VA119	O-Ring		1
B19-1	4304-101A	Elbow		2
B19-2	3101-1145E	Capillary		1
B20-1	3101-1158DA	Oil Filter Flange		1
B20-2	3101-1147BA	Oil Filter Flange Outer Gasket		1
B20-3	3101-1146A	Oil Filter Flange Inner Gasket		1
B20-4	3101-1143C	Oil Filter		1
B20-5	4301-112035	Bolt	M12*35L	6
B21-1	3101-1153BA	Plug		1
B21-2	4201-VP021	O-Ring		1
B22-1	4304-105A	Connector		1
B22-2	4302-306	Bonnet		1
B22-3	3101-1091A	Nut		1
C-Oil Separator				
C1	3155-1800FB	Oil Separator		1
C2	4301-120055	Bolt	M20*55L	20
C3	3103-1001AE	Oil Separator Gasket		1
C4-1	3188-7200C	Check Valve		1
C4-2	3101-1004AD	Connecting Flange Gasket		2
C4-3	4201-NP100	O-Ring		1
C4-4	3103-101EB	Discharge Flange Shield		1
C4-5	3102-1019AC	Flange		1
C4-6	4301-116060	Bolt	M16*60L	4
C4-7	4301-116045	Bolt	M16*45L	4
C5-1	4304-106A	Angle Valve		1
C5-2	4302-303	Bonnet		1
C5-3	4302-301	Nut		1
C6	4305-110	Plug		1
D-Motor				
D1	3155-2101CA	Motor Casing (Motor A)		1
	3165-2101CA	Motor Casing (Motor B)		1
D2	3103-1002AD	Motor Casing Gasket		1
D3-1	3181-XX43XA	Motor Stator Assembly (Motor A)		1
	3181-XX45XA	Motor Stator Assembly (Motor B)		1
D3-2	3131-2105AB	Copper Sleeve		1
D4-1	3164-2104BA	Motor Stator Guide Vane		2
D4-2	4301-108025	Bolt	M8*25L	6
D4-3	4303-308	Spring Washer		6
D4-4	3101-2103CA	Plate		2
D5-1	3154-2102B	Motor Stator Fixing Plug		1
D5-2	4201-VP021	O-Ring		1
D6-1	4304-105A	Connector		1
D6-2	4302-306	Bonnet		1
D6-3	3101-1091A	Nut		1
D7-1	4304-102A	Connector		1
D7-2	4302-303	Bonnet		1
D7-3	4302-301	Nut		1
D8	4304-201A	Charging Valve		1
D9-1	4304-106A	Angle Valve		1
D9-2	4302-303	Bonnet		1
D9-3	4302-301	Nut		1
D10	3105-1004AD	Gasket		2
D11	3105-1024DC	Suction Filter		1
D12-1	3188-8400A	Stop Valve		1
D12-2	3105-1004AD	Gasket		1
D12-3	4201-NP135	O-Ring		1
D12-4	3108-1015A	Flange Shield		1
D12-5	3105-1019BC	Flange		1
D12-6	4301-120070	Bolt	M20*70L	4
D12-7	4301-120200	Bolt	M20*200L	4
D13	4301-116055	Bolt	M16*55L	20

12.13. RC2-410 Screw Compressor Part List

Item	Part NO	Description	Specification	Amount
A-Rotor & Bearing Seat				
A1	3105-1131ED	Bearing Seat		1
A2	3136-1232AE	Male Screw Rotor		1
A3	3105-1133BG	Female Screw Rotor		1
A4	3103-1023A	Motor Rotor Key		1
A5-1	3105-1134B	α Balance Piston		1
A5-2	4102-NU313E	Discharge Radial Bearing (Male)		1
A5-3	4101-7313BUO	Discharge Axial Bearing (Male)		3
A5-4	4302-265	Bearing Lock Nut		1
A5-5	3105-1109C	Discharge Bearing Fixed Ring (Male)		1
A5-6	4307-DB112	Disc Spring		1
A6-1	4102-NU2309E	Discharge Radial Bearing (Female)		1
A6-2	3105-1137B	Inner Spacer (Female)		1
A6-3	3105-113AA	Outer Spacer (Female)		1
A6-4	4101-7309BUO	Discharge Axial Bearing (Female)		3
A6-5	3105-1111B	Discharge Bearing Fixed Ring (Female)		1
A6-6	4302-245	Bearing Lock Nut		1
A6-7	4307-DB080	Disc Spring		1
A7-1	3105-1101BH	Discharge Cover Plate		1
A7-2	3105-1103AE	Discharge Cover Plate Gasket		1
A7-3	4301-112035	Bolt	M12*35L	15
A8-1	4301-112035	Bolt	M12*35L	1
A8-2	4303-312	Spring Washer		1
A8-3	3101-1037B	Washer		1
A8-4	3105-1116D	Piston		1
A8-5	4201-CA345	O-Ring		2
A8-6	4202-T120	Piston Ring		2
A8-7	5112-GM69	Guide Ring		1
A8-8	4303-420	Copper Washer		1
A8-9	3105-1115AE	Piston Rod		1
A8-10	3106-1113B	Modulation Spring (Inner)		1
A8-11	3106-1117A	Modulation Spring (Outer)		1
A9	3107-1008A	Exhaust Tube Gasket		1
A10	3101-1102B	Position Pin		2
A11	4301-120055	Bolt	M20*55L	8
B-Compression Casing				
B1	3105-1141FA	Compression Casing		1
B2-1	3105-1112E	Slide Valve	V _i =2.6	1
	3105-1212D	Slide Valve	V _i =3.5	1
	3105-1412E	Slide Valve	V _i =3.0	1
	3105-1512E	Slide Valve	V _i =2.2	1
B2-2	3105-1114A	Slide Valve Key		1
B2-3	4301-108016	Bolt	M8*16L	1
B3-1	3105-1175A	Supporter for Slide Valve		1
B3-2	4301-110055	Bolt	M10*55L	4
B4-1	3101-1152DA-A	Oil Level Switch Flange	Standard	1
B4-2	3101-1148BA	Flange Gasket		2
B4-3	3101-116AC	Damper Shield		1
B4-4	4405-61	Oil Level Switch		1
B4-5	4201-VP008	O-Ring		1
B4-6	4201-VP021	O-Ring		1
B4-7	3101-1149D	Oil Level Switch Fitting		1
B4-8	4806-27	Cable Connector		1
B4-9	5107-03	PU Hose		1
B4-10	4305-108	Plug		1
B4-11	4301-112080	Bolt	M12*80L	6
B5-1	4304-106A	Angle Valve		1
B5-2	4302-303	Bonnet		1
B5-3	4302-301	Nut		1
B6-1	3101-1051CC	Oil Heater	220V,150W	1
	3101-1052CC	Oil Heater	220V,300W	1
	3101-0951CC	Oil Heater	110V,150W	1
	3101-0952CC	Oil Heater	110V,300W	1
B6-2	4806-28	Cable Connector		1
B6-3	5108-09	Plastic Corrugated Tube		1
B7-1	4804-17	Sight Glass		2
B7-2	4201-VA024	O-Ring		2
B8-1	3136-1080BD	Terminal Cover Plate (PTC+PT100/1000)	230A	1
	3139-1080AF	Terminal Cover Plate (PTC+PT100/1000)	400A	1
B8-2	4301-112035	Bolt	M12*35L	16
B8-3	3101-1006BA	Terminal Cover Plate Gasket		1
B9-1	4401-38	Solenoid Valve-Step,Gasket(NC)	Standard	1
	4401-39	Solenoid Valve-Stepless(NO)	Optional	1
B9-1-1	4401-38	Solenoid Valve-Step,Gasket(NC)		1
B9-1-2	3161-1168AA	Orifice	Optional	1
B9-2	4402-14	Solenoid Valve Coil	220V	2
	4402-15	Solenoid Valve Coil	110V	2
B9-3	3101-1003BA-A	Solenoid Valve Gasket		5
B9-4	4301-804012	Bolt	M4*12L	12
B9-4-1	4301-804016	Bolt	M4*20L	4
B9-5	3101-1039C	Cover Plate		2
B10-1	3135-1250BA	Economizer Port Flange		1
B10-2	3135-1252B	Shield of Economizer Port Flange		1
B10-3	3135-1151AA	Gasket of Economizer Port Flange		1
B10-4	4301-112040	Bolt	M12*40L	2
B11-1	3105-1107C	Oil-Guiding Ring (Female)		1
B11-2	4102-NJ2210E	Suction Radial Bearing (Female)		1

Item	Part NO	Description	Specification	Amount
B12-1	4303-112	Washer		1
B12-2	4303-312	Spring Washer		1
B12-3	4301-112020	Bolt	M12*20L	1
B13-1	3105-1106C	Oil Guiding Ring (Male)		1
B13-2	4102-NU2216E	Suction Radial Bearing (Male)		1
B13-3	3105-1104A	Suction Bearing Inner Spacer		1
B13-4	3105-1105A	Suction Bearing Outer Spacer		1
B13-5	4102-NU2216E	Suction Radial Bearing (Male)		1
B14-1	3105-1108A	Suction Bearing Fixed Ring (Male)		1
B14-2	4301-106016	Bolt	M6*16L	6
B15-1	3181-00511A-SH	Motor Rotor Assembly (Motor A)		1
	3181-00531A-SH	Motor Rotor Assembly (Motor B)		1
	3130-1032A	Motor Rotor Spacer (Motor A)		1
B15-2	3101-1033A	Motor Rotor Spacer (Motor B)		1
	3101-103LA	Motor Rotor Spacer (Motor B)		1
B15-3	3105-1017A	Motor Rotor Washer (Motor A)		1
	3136-1017A	Motor Rotor Washer (Motor B)		1
B15-4	4303-316	Spring Washer	M16	1
B15-5	4301-116045	Bolt (Motor A)	M16*45L	1
	4301-116075	Bolt (Motor B)	M16*75L	1
B16-1	4304-105A	Connector		1
B16-2	4302-306	Bonnet		1
B16-3	3101-1091A	Nut		1
B17-1	3142-1094A	Connector		1
B17-2	4302-312	Bonnet		1
B17-3	4302-311	Nut		1
B18-1	3101-1168AC	Plug		1
B18-2	4201-VA119	O-Ring		1
B19-1	4304-101A	Elbow		2
B19-2	3101-1145E	Capillary		1
B20-1	3105-1158C	Oil Filter Flange		1
B20-2	3101-1148BA	Oil Filter Flange Outer Gasket		1
B20-3	3105-1146A	Oil Filter Flange Inner Gasket		1
B20-4	3105-1143C	Oil Filter		1
B20-5	4301-112035	Bolt	M12*35L	6
B21-1	3101-1153BA	Plug		1
B21-2	4201-VP021	O-Ring		1
B22-1	4304-105A	Connector		1
B22-2	4302-306	Bonnet		1
B22-3	3101-1091A	Nut		1
C-Oil Separator				
C1	3136-1800FB	Oil Separator		1
C2	4301-120060	Bolt	M20*60L	24
C3	3105-1001AE	Oil Separator Gasket		1
C4-1	3188-7200C	Check Valve		1
C4-2	3101-1004AD	Connecting Flange Gasket		2
C4-3	4201-NP100	O-Ring		1
C4-4	3103-101EB	Discharge Flange Shield		1
C4-5	3102-1019AC	Flange		1
C4-6	4301-116060	Bolt	M16*60L	4
C4-7	4301-116045	Bolt	M16*45L	4
C5-1	4304-106A	Angle Valve		1
C5-2	4302-303	Bonnet		1
C5-3	4302-301	Nut		1
C6	4305-110	Plug		1
D-Motor				
D1	3136-2151CA	Motor Casing		1
D2	3105-1002AD	Gasket		1
D3-1	3181-XX51XA-SH	Motor Stator Assembly (Motor A)		1
	3181-XX53XA-SH	Motor Stator Assembly (Motor B)		1
D3-2	3107-2105BB	Copper Sleeve		1
D4-1	3136-2104AA	Motor Stator Guide Vane		2
D4-2	4301-108025	Bolt	M8*25L	8
D4-3	4303-308	Spring Washer		8
D4-4	3101-2103CA	Plate		2
D5-1	3156-2102A	Motor Stator Fixing Plug		1
D5-2	4201-VA122	O-Ring		1
D6-1	4304-105A	Connector		1
D6-2	4302-306	Bonnet		1
D6-3	3101-1091A	Nut		1
D7-1	4304-102A	Connector		1
D7-2	4302-303	Bonnet		1
D7-3	4302-301	Nut		1
D8	4304-201A	Charging Valve		1
D9-1	4304-106A	Angle Valve		1
D9-2	4302-303	Bonnet		1
D9-3	4302-301	Nut		1
D10	3105-1004AD	Gasket		2
D11	3105-1024DC	Suction Filter		1
D12-1	3188-8400A	Stop Valve		1
D12-2	3105-1004AD	Gasket		1
D12-3	4201-NP135	O-Ring		1
D12-4	3108-1015A	Flange Shield		1
D12-5	3105-1019BC	Flange		1
D12-6	4301-120070	Bolt	M20*70L	4
D12-7	4301-120200	Bolt	M20*200L	4
D13	4301-116055	Bolt	M16*55L	20

12.14. RC2-470 Screw Compressor Part List

Item	Part NO	Description	Specification	Amount
A-Rotor & Bearing Seat				
A1	3106-1131ED	Bearing Seat		1
A2	3137-1232AE	Male Screw Rotor		1
A3	3106-1133BG	Female Screw Rotor		1
A4	3101-1023A	Motor Rotor Key (Motor A)		1
	3137-1023B	Motor Rotor Key (Motor B)		1
A5-1	3105-1134B	α Balance Piston		1
A5-2	4102-NU313E	Discharge Radial Bearing (Male)		1
A5-3	4101-7313BUO	Discharge Axial Bearing (Male)		3
A5-4	4302-265	Bearing Lock Nut		1
A5-5	3106-1109B	Discharge Bearing Fixed Ring (Male)		1
A5-6	4307-DB140	Disc Spring		1
A6-1	4102-NU2309E	Discharge Radial Bearing (Female)		1
A6-2	3105-1137B	Inner Spacer (Female)		1
A6-3	3105-113AA	Outer Spacer (Female)		1
A6-4	4101-7309BUO	Discharge Axial Bearing (Female)		3
A6-5	3106-1111B	Discharge Bearing Fixed Ring (Female)		1
A6-6	4302-245	Bearing Lock Nut		1
A6-7	4307-DB100	Disc Spring		1
A7-1	3105-1101BH	Discharge Cover Plate		1
A7-2	3105-1103AE	Discharge Cover Plate Gasket		1
A7-3	4301-112035	Bolt	M12*35L	15
A8-1	4301-112035	Bolt	M12*35L	1
A8-2	4303-312	Spring Washer		1
A8-3	3101-1037B	Washer		1
A8-4	3105-1116D	Piston		1
A8-5	4201-CA345	O-Ring		2
A8-6	4202-T120	Piston Ring		2
A8-7	5112-GM69	Guide Ring		1
A8-8	4303-420	Copper Washer		1
A8-9	3106-1115AG	Piston Rod		1
A8-10	3106-1113B	Modulation Spring (Inner)		1
A8-11	3106-1117A	Modulation Spring (Outer)		1
A9	3107-1008A	Exhaust Tube Gasket		1
A10	3101-1102B	Position Pin		2
A11	4301-120055	Bolt	M20*55L	8
B-Compression Casing				
B1	3106-1141FA	Compression Casing		1
B2-1	3106-1112D	Slide Valve	Vi=2.6	1
	3106-1212C	Slide Valve	Vi=3.5	1
	3106-1412D	Slide Valve	Vi=3.0	1
	3106-1512D	Slide Valve	Vi=2.2	1
B2-2	3105-1114A	Slide Valve Key		1
B2-3	4301-108016	Bolt	M8*16L	1
B3-1	3106-1175A	Supporter for Slide Valve		1
B3-2	4301-110080	Bolt	M10*80L	4
B4-1	3101-1152DA-A	Oil Level Switch Flange	Standard	1
B4-2	3101-1148BA	Flange Gasket		2
B4-3	3101-116AC	Damper Shield		1
B4-4	4405-61	Oil Level Switch		1
B4-5	4201-VP008	O-Ring		1
B4-6	4201-VP021	O-Ring		1
B4-7	3101-1149D	Oil Level Switch Fitting		1
B4-8	4806-27	Cable Connector		1
B4-9	5107-03	PU Hose		1
B4-10	4305-108	Plug		1
B4-11	4301-112090	Bolt	M12*90L	6
B5-1	4304-106A	Angle Valve		1
B5-2	4302-303	Bonnet		1
B5-3	4302-301	Nut		1
B6-1	3101-1051CC	Oil Heater	220V,150W	1
	3101-1052CC	Oil Heater	220V,300W	1
	3101-0951CC	Oil Heater	110V,150W	1
	3101-0952CC	Oil Heater	110V,300W	1
B6-2	4806-28	Cable Connector		1
B6-3	5108-09	Plastic Corrugated Tube		1
B7-1	4804-17	Sight Glass		2
B7-2	4201-VA024	O-Ring		2
B8-1	3136-1080BD	Terminal Cover Plate (PTC+PT100/1000)	230A	1
	3139-1080AF	Terminal Cover Plate (PTC+PT100/1000)	400A	1
B8-2	4301-112035	Bolt	M12*35L	16
B8-3	3101-1006BA	Terminal Cover Plate Gasket		1
B9-1	4401-38	Solenoid Valve-Step,Gasket(NC)	Standard	1
	4401-39	Solenoid Valve-Stepless(NO)	Optional	1
B9-1-1	4401-38	Solenoid Valve-Step,Gasket(NC)		1
B9-1-2	3161-1168AA	Orifice	Optional	1
B9-2	4402-14	Solenoid Valve Coil	220V	2
	4402-15	Solenoid Valve Coil	110V	2
B9-3	3101-1003BA-A	Solenoid Valve Gasket		5
B9-4	4301-804012	Bolt	M4*12L	12
B9-4-1	4301-804016	Bolt	M4*20L	4
B9-5	3101-1039C	Cover Plate		2
B10-1	3135-1250BA	Economizer Port Flange		1
B10-2	3135-1252B	Shield of Economizer Port Flange		1
B10-3	3135-1151AA	Gasket of Economizer Port Flange		1
B10-4	4301-112040	Bolt	M12*40L	2
B11-1	3105-1107C	Oil-Guiding Ring (Female)		1

Item	Part NO	Description	Specification	Amount
B11-2	4102-NJ2210E	Suction Radial Bearing (Female)		1
B12-1	4303-112	Washer		1
B12-2	4303-312	Spring Washer		1
B12-3	4301-112020	Bolt	M12*20L	1
B13-1	3105-1106C	Oil Guiding Ring (Male)		1
B13-2	4102-NJ2216E	Suction Radial Bearing (Male)		1
B13-3	3105-1104A	Suction Bearing Inner Spacer		1
B13-4	3105-1105A	Suction Bearing Outer Spacer		1
B13-5	4102-NJ2216E	Suction Radial Bearing (Male)		1
B14-1	3105-1108A	Suction Bearing Fixed Ring (Male)		1
B14-2	4301-106016	Bolt	M6*16L	6
B15-1	3181-00521A-SH	Motor Rotor Assembly (Motor A)		1
B15-1	3181-00541A-SH	Motor Rotor Assembly (Motor B)		1
B15-2	3130-1032A	Motor Rotor Spacer (Motor A)		1
B15-2	3101-103CA	Motor Rotor Spacer (Motor B)		1
B15-2	3107-1034A	Motor Rotor Spacer (Motor B)		1
B15-3	3105-1017A	Motor Rotor Washer (Motor A)		1
B15-3	3136-1017A	Motor Rotor Washer (Motor B)		1
B15-4	4303-316	Spring Washer	M16	1
B15-5	4301-116045	Bolt (Motor A)	M16*45L	1
B15-5	4301-116090	Bolt (Motor B)	M16*90L	1
B16-1	4304-105A	Connector		1
B16-2	4302-306	Bonnet		1
B16-3	3101-1091A	Nut		1
B17-1	3142-1094A	Connector		1
B17-2	4302-312	Bonnet		1
B17-3	4302-311	Nut		1
B18-1	3101-1168AC	Plug		1
B18-2	4201-VA119	O-Ring		1
B19-1	4304-101A	Elbow		2
B19-2	3101-1145E	Capillary		1
B20-1	3105-1158C	Oil Filter Flange		1
B20-2	3101-1148BA	Oil Filter Flange Outer Gasket		1
B20-3	3105-1146A	Oil Filter Flange Inner Gasket		1
B20-4	3105-1143C	Oil Filter		1
B20-5	4301-112035	Bolt	M12*35L	6
B21-1	3101-1153BA	Plug		1
B21-2	4201-VP021	O-Ring		1
B22-1	4304-105A	Connector		1
B22-2	4302-306	Bonnet		1
B22-3	3101-1091A	Nut		1
C-Oil Separator				
C1	3137-1800FB	Oil Separator		1
C2	4301-120060	Bolt	M20*60L	24
C3	3105-1001AE	Oil Separator Gasket		1
C4-1	3188-7200C	Check Valve		1
C4-2	3101-1004AD	Connecting Flange Gasket		2
C4-3	4201-NP100	O-Ring		1
C4-4	3103-101EB	Flange Shield		1
C4-5	3102-1019AC	Flange		1
C4-6	4301-116060	Bolt	M16*60L	4
C4-7	4301-116045	Bolt	M16*45L	4
C5-1	4304-106A	Angle Valve		1
C5-2	4302-303	Bonnet		1
C5-3	4302-301	Nut		1
C6	4305-110	Plug		1
D-Motor				
D1	3136-2151CA	Motor Casing (Motor A)		1
D1	3137-2151CA	Motor Casing (Motor B)		1
D2	3105-1002AD	Gasket		1
D3-1	3181-XX52XA-SH	Motor Stator Assembly (Motor A)		1
D3-1	3181-XX54XA-SH	Motor Stator Assembly (Motor B)		1
D3-2	3107-2105BB	Copper Sleeve		1
D4-1	3136-2104AA	Motor Stator Guide Vane		2
D4-2	4301-108025	Bolt	M8*25L	8
D4-3	4303-308	Spring Washer		8
D4-4	3101-2103CA	Plate		2
D5-1	3156-2102A	Motor Stator Fixing Plug		1
D5-2	4201-VA122	O-Ring		1
D6-1	4304-105A	Connector		1
D6-2	4302-306	Bonnet		1
D6-3	3101-1091A	Nut		1
D7-1	4304-102A	Connector		1
D7-2	4302-303	Bonnet		1
D7-3	4302-301	Nut		1
D8	4304-201A	Charging Valve		1
D9-1	4304-106A	Angle Valve		1
D9-2	4302-303	Bonnet		1
D9-3	4302-301	Nut		1
D10	3105-1004AD	Gasket		2
D11	3105-1024DC	Suction Filter		1
D12-1	3188-8400A	Stop Valve		1
D12-2	3105-1004AD	Gasket		1
D12-3	4201-NP135	O-Ring		1
D12-4	3108-1015A	Flange Shield		1
D12-5	3105-1019BC	Flange		1
D12-6	4301-120070	Bolt	M20*70L	4
D12-7	4301-120200	Bolt	M20*200L	4
D13	4301-116055	Bolt	M16*55L	20

12.15. RC2-510 Screw Compressor Part List

Item	Part NO	Description	Specification	Amount
A-Rotor & Bearing Seat				
A1	3106-1131ED	Bearing Seat		1
A2	3156-1132AF	Male Screw Rotor		1
A3	3156-1133AF	Female Screw Rotor		1
A4	3101-1023A	Motor Rotor Key (Motor A)		1
	3155-1023A	Motor Rotor Key (Motor B)		1
A5-1	3105-1134B	α Balance Piston		1
A5-2	4102-NU313E	Discharge Radial Bearing (Male)		1
A5-3	4101-7313BUO	Discharge Axial Bearing (Male)		3
A5-4	4302-265	Bearing Lock Nut		1
A5-5	3106-1109B	Discharge Bearing Fixed Ring (Male)		1
A5-6	4307-DB140	Disc Spring		1
A6-1	4102-NU2309E	Discharge Radial Bearing (Female)		1
A6-2	3105-1137B	Inner Spacer (Female)		1
A6-3	3105-113AA	Outer Spacer (Female)		1
A6-4	4101-7309BUO	Discharge Axial Bearing (Female)		3
A6-5	3106-1111B	Discharge Bearing Fixed Ring (Female)		1
A6-6	4302-245	Bearing Lock Nut		1
A6-7	4307-DB100	Disc Spring		1
A7-1	3105-1101BH	Discharge Cover Plate		1
A7-2	3105-1103AE	Discharge Cover Plate Gasket		1
A7-3	4301-112035	Bolt	M12*35L	15
A8-1	4301-112035	Bolt	M12*35L	1
A8-2	4303-312	Spring Washer		1
A8-3	3101-1037B	Washer		1
A8-4	3105-1116D	Piston		1
A8-5	4201-CA345	O-Ring		2
A8-6	4202-T120	Piston Ring		2
A8-7	5112-GM69	Guide Ring		1
A8-8	4303-420	Copper Washer		1
A8-9	3106-1115AG	Piston Rod		1
A8-10	3106-1113B	Modulation Spring (Inner)		1
A8-11	3106-1117A	Modulation Spring (Outer)		1
A9	3107-1008A	Exhaust Tube Gasket		1
A10	3101-1102B	Position Pin		2
A11	4301-120055	Bolt	M20*55L	8
B-Compression Casing				
B1	3156-1141EA	Compression Casing		1
B2-1	3156-1112C	Slide Valve	Vi=2.6	1
	3156-1212C	Slide Valve	Vi=3.5	1
	3156-1412C	Slide Valve	Vi=3.0	1
	3156-1512C	Slide Valve	Vi=2.2	1
B2-2	3105-1114A	Slide Valve Key		1
B2-3	4301-108016	Bolt	M8*16L	1
B3-1	3106-1175A	Supporter for Slide Valve		1
B3-2	4301-110080	Bolt	M10*80L	4
B4-1	3101-1152DA-A	Oil Level Switch Flange	Standard	1
B4-2	3101-1148BA	Flange Gasket		2
B4-3	3101-116AC	Damper Shield		1
B4-4	4405-61	Oil Level Switch		1
B4-5	4201-VP008	O-Ring		1
B4-6	4201-VP021	O-Ring		1
B4-7	3101-1149D	Oil Level Switch Fitting		1
B4-8	4806-27	Cable Connector		1
B4-9	5107-03	PU Hose		1
B4-10	4305-108	Plug		1
B4-11	4301-112090	Bolt	M12*90L	6
B5-1	4304-106A	Angle Valve		1
B5-2	4302-303	Bonnet		1
B5-3	4302-301	Nut		1
B6-1	3101-1051CC	Oil Heater	220V,150W	1
	3101-1052CC	Oil Heater	220V,300W	1
	3101-0951CC	Oil Heater	110V,150W	1
	3101-0952CC	Oil Heater	110V,300W	1
B6-2	4806-28	Cable Connector		1
B6-3	5108-09	Plastic Corrugated Tube		1
B7-1	4804-17	Sight Glass		2
B7-2	4201-VA024	O-Ring		2
B8-1	3136-1080BD	Terminal Cover Plate (PTC+PT100/1000)	230A	1
	3139-1080AF	Terminal Cover Plate (PTC+PT100/1000)	400A	1
B8-2	4301-112035	Bolt	M12*35L	16
B8-3	3101-1006BA	Terminal Cover Plate Gasket		1
B9-1	4401-38	Solenoid Valve-Step,Gasket(NC)	Standard	1
	4401-39	Solenoid Valve-Stepless(NO)	Optional	1
B9-1-1	4401-38	Solenoid Valve-Step,Gasket(NC)		1
B9-1-2	3161-1168AA	Orifice	Optional	1
B9-2	4402-14	Solenoid Valve Coil	220V	2
	4402-15	Solenoid Valve Coil	110V	2
B9-3	3101-1003BA-A	Solenoid Valve Gasket		5
B9-4	4301-804012	Bolt	M4*12L	12
B9-4-1	4301-804016	Bolt	M4*20L	4
B9-5	3101-1039C	Cover Plate		2
B10-1	3135-1250BA	Economizer Port Flange		1
B10-2	3135-1252B	Shield of Economizer Port Flange		1
B10-3	3135-1151AA	Gasket of Economizer Port Flange		1
B10-4	4301-112040	Bolt	M12*40L	2
B11-1	3105-1107C	Oil-Guiding Ring (Female)		1

Item	Part NO	Description	Specification	Amount
B11-2	4102-NJ2210E	Suction Radial Bearing (Female)		1
B12-1	4303-112	Washer		1
B12-2	4303-312	Spring Washer		1
B12-3	4301-112020	Bolt	M12*20L	1
B13-1	3105-1106C	Oil-Guiding Ring (Male)		1
B13-2	4102-NU2216E	Suction Radial Bearing (Male)		1
B13-3	3156-1104A	Suction Bearing Inner Spacer		1
B13-4	3156-1105A	Suction Bearing Outer Spacer		1
B13-5	4102-NU2216E	Suction Radial Bearing (Male)		1
B14-1	3105-1108A	Suction Bearing Fixed Ring (Male)		1
B14-2	4301-106016	Bolt	M6*16L	6
B15-1	3181-00521A-SH	Motor Rotor Assembly (Motor A)		1
	3181-00551A-SH	Motor Rotor Assembly (Motor B)		1
B15-2	3130-1032A	Motor Rotor Spacer (Motor A)		1
	3143-1033A	Motor Rotor Spacer (Motor B)		1
B15-3	3105-1017A	Motor Rotor Washer(Motor A)		1
	3136-1017A	Motor Rotor Washer(Motor B)		1
B15-4	4303-316	Spring Washer	M16	1
B15-5	4301-116045	Bolt (Motor A)	M16*45L	1
	4301-116110	Bolt (Motor B)	M16*110L	1
B16-1	4304-105A	Connector		1
B16-2	4302-306	Bonnet		1
B16-3	3101-1091A	Nut		1
B17-1	3142-1094A	Connector		1
B17-2	4302-312	Bonnet		1
B17-3	4302-311	Nut		1
B18-1	3101-1168AC	Plug		1
B18-2	4201-VA119	O-Ring		1
B19-1	4304-101A	Elbow		2
B19-2	3101-1145E	Capillary		1
B20-1	3105-1158C	Oil Filter Flange		1
B20-2	3101-1148BA	Oil Filter Flange Outer Gasket		1
B20-3	3105-1146A	Oil Filter Flange Inner Gasket		1
B20-4	3105-1143C	Oil Filter		1
B20-5	4301-112035	Bolt	M12*35L	6
B21-1	3101-1153BA	Plug		1
B21-2	4201-VP021	O-Ring		1
B22-1	4304-105A	Connector		1
B22-2	4302-306	Bonnet		1
B22-3	3101-1091A	Nut		1
C-Oil Separator				
C1	3157-1800EB	Oil Separator		1
C2	4301-120060	Bolt	M20*60L	24
C3	3105-1001AE	Oil Separator Gasket		1
C4-1	3188-7300C	Check Valve		1
C4-2	3107-1005AC	Connecting Flange Gasket		2
C4-3	4201-NP110	O-Ring		1
C4-4	3107-1015A	Discharge Flange Shield		1
C4-5	3103-1019BC	Flange		1
C4-6	4301-120065	Bolt	M20*65L	4
C4-7	4301-120050	Bolt	M20*50L	4
C5-1	4304-106A	Angle Valve		1
C5-2	4302-303	Bonnet		1
C5-3	4302-301	Nut		1
C6	4305-110	Plug		1
D-Motor				
D1	3157-2101CA	Motor Casing		1
D2	3105-1002AD	Gasket		1
D3-1	3181-XX52XA-SH	Motor Stator Assembly (Motor A)		1
	3181-XX54XA-SH	Motor Stator Assembly (Motor B)		1
D3-2	3107-2105BB	Copper Sleeve		1
D4-1	3156-2104AB	Motor Stator Guide Vane		2
D4-2	4301-108025	Bolt	M8*25L	8
D4-3	4303-308	Spring Washer		8
D4-4	3101-2103CA	Plate		2
D5-1	3156-2102A	Motor Stator Fixing Plug		1
D5-2	4201-VA122	O-Ring		1
D6-1	4304-105A	Connector		1
D6-2	4302-306	Bonnet		1
D6-3	3101-1091A	Nut		1
D7-1	4304-102A	Connector		1
D7-2	4302-303	Bonnet		1
D7-3	4302-301	Nut		1
D8	4304-201A	Charging Valve		1
D9-1	4304-106A	Angle Valve		1
D9-2	4302-303	Bonnet		1
D9-3	4302-301	Nut		1
D10	3105-1004AD	Gasket		2
D11	3105-1024DC	Suction Filter		1
D12-1	3188-8400A	Stop Valve		1
D12-2	3105-1004AD	Gasket		1
D12-3	4201-NP135	O-Ring		1
D12-4	3108-1015A	Flange Shield		1
D12-5	3105-1019BC	Flange		1
D12-6	4301-120070	Bolt	M20*70L	4
D12-7	4301-120200	Bolt	M20*200L	4
D13	4301-116055	Bolt	M16*55L	20

12.16. RC2-550 Screw Compressor Part List

Item	Part NO	Description	Specification	Amount
A-Rotor & Bearing Seat				
A1	3138-1131DD	Bearing Seat		1
A2	3138-1232AE	Male Screw Rotor		1
A3	3138-1133AF	Female Screw Rotor		1
A4	3101-1023A	Motor Rotor Key (Motor A)		1
	3155-1023A	Motor Rotor Key (Motor B)		1
A5-2	4102-NU313E	Discharge Radial Bearing (Male)		1
A5-3	4101-7313BUO	Discharge Axial Bearing (Male)		3
A5-4	4302-265	Bearing Lock Nut		1
A5-5	3138-1109A	Discharge Bearing Fixed Ring (Male)		1
A5-6	4307-DB140	Disc Spring		1
A5-7	3138-1134AA	Inner Spacer (Male)		1
A5-8	3138-113DAB	Outer Spacer (Male)		1
A6-1	4102-NU2310E	Discharge Radial Bearing (Female)		1
A6-2	3138-1137A	Inner Spacer (Female)		1
A6-3	3138-113AA	Outer Spacer (Female)		1
A6-4	4101-7310BUO	Discharge Axial Bearing (Female)		3
A6-5	3138-1111A	Discharge Bearing Fixed Ring (Female)		1
A6-6	4302-250	Bearing Lock Nut		1
A6-7	4307-DB100	Disc Spring		1
A7-1	3138-1101AE	Discharge Cover Plate		1
A7-2	3138-1103AA	Discharge Cover Plate Gasket		1
A7-3	4301-112035	Bolt	M12*35L	15
A8-1	4301-112035	Bolt	M12*35L	1
A8-2	4303-312	Spring Washer		1
A8-3	3101-1037B	Washer		1
A8-4	3105-1116D	Piston		1
A8-5	4201-CA345	O-Ring		2
A8-6	4202-T120	Piston Ring		2
A8-7	5112-GM69	Guide Ring		1
A8-8	4303-420	Copper Washer		1
A8-9	3138-1115AC	Piston Rod		1
A8-10	3107-1113A	Modulation Spring (Inner)		1
A8-11	3107-1117A	Modulation Spring (Outer)		1
A9	3107-1008A	Exhaust Tube Gasket		1
A10	3101-1102B	Position Pin		2
A11	4301-120055	Bolt	M20*55L	8
B-Compression Casing				
B1	3138-1141DA	Compression Casing		1
B2-1	3138-1112C	Slide Valve	Vi=2.6	1
	3138-1212A	Slide Valve	Vi=3.5	1
	3138-1412C	Slide Valve	Vi=3.0	1
	3138-1512C	Slide Valve	Vi=2.2	1
B2-2	3105-1114A	Slide Valve Key		1
B2-3	4301-108016	Bolt	M8*16L	1
B3-1	3106-1175A	Supporter for Slide Valve		1
B3-2	4301-110080	Bolt	M10*80L	4
B4-1	3101-1152DA-A	Oil Level Switch Flange	Standard	1
B4-2	3101-1148BA	Flange Gasket		2
B4-3	3101-116AC	Damper Shield		1
B4-4	4405-61	Oil Level Switch		1
B4-5	4201-VP008	O-Ring		1
B4-6	4201-VP021	O-Ring		1
B4-7	3101-1149D	Oil Level Switch Fitting		1
B4-8	4806-27	Cable Connector		1
B4-9	5107-03	PU Hose		1
B4-10	4305-108	Plug		1
B4-11	4301-112090	Bolt	M12*90L	6
B5-1	4304-106A	Angle Valve		1
B5-2	4302-303	Bonnet		1
B5-3	4302-301	Nut		1
B6-1	3101-1051CC	Oil Heater	220V,150W	1
	3101-1052CC	Oil Heater	220V,300W	1
	3101-0951CC	Oil Heater	110V,150W	1
	3101-0952CC	Oil Heater	110V,300W	1
B6-2	4806-28	Cable Connector		1
B6-3	5108-09	Plastic Corrugated Tube		1
B7-1	4804-17	Sight Glass		2
B7-2	4201-VA024	O-Ring		2
B8-1	3136-1080BD	Terminal Cover Plate (PTC+PT100/1000)	230A	1
	3139-1080AF	Terminal Cover Plate (PTC+PT100/1000)	400A	1
B8-2	4301-112035	Bolt	M12*35L	16
B8-3	3101-1006BA	Terminal Cover Plate Gasket		1
B9-1	4401-38	Solenoid Valve-Step,Gasket(NC)	Standard	1
	4401-39	Solenoid Valve-Stepless(NO)	Optional	1
B9-1-1	4401-38	Solenoid Valve-Step,Gasket(NC)		1
B9-1-2	3161-1168AA	Orifice	Optional	1
B9-2	4402-14	Solenoid Valve Coil	220V	2
	4402-15	Solenoid Valve Coil	110V	2
B9-3	3101-1003BA-A	Solenoid Valve Gasket		5
B9-4	4301-804012	Bolt	M4*12L	12
B9-4-1	4301-804016	Bolt	M4*20L	4
B9-5	3101-1039C	Cover Plate		2
B10-1	3138-1250BA	Economizer Port Flange		1
B10-2	3138-1252A	Shield of Economizer Port Flange		1
B10-3	3138-1151AA	Gasket of Economizer Port Flange		1
B10-4	4301-112040	Bolt	M12*40L	2

Item	Part NO	Description	Specification	Amount
B11-1	3105-1107C	Oil-Guiding Ring (Female)		1
B11-2	4102-NJ2210E	Suction Radial Bearing (Female)		1
B12-1	4303-112	Washer		1
B12-2	4303-312	Spring Washer		1
B12-3	4301-112020	Bolt	M12*20L	1
B13-1	3105-1106C	Oil-Guiding Ring (Male)		1
B13-2	4102-NU2216E	Suction Radial Bearing (Male)		1
B13-3	3105-1104A	Suction Bearing Inner Spacer		1
B13-4	3105-1105A	Suction Bearing Outer Spacer		1
B13-5	4102-NU2216E	Suction Radial Bearing (Male)		1
B14-1	3105-1108A	Suction Bearing Fixed Ring (Male)		1
B14-2	4301-106016	Bolt	M6*16L	6
B15-1	3181-00531A-SH	Motor Rotor Assembly (Motor A)		1
	3181-00551A-SH	Motor Rotor Assembly (Motor B)		1
B15-2	3130-1032A	Motor Rotor Spacer (Motor A)		1
	3101-1034B	Motor Rotor Spacer (Motor B)		1
	3101-1035A	Motor Rotor Spacer (Motor B)		1
B15-3	3105-1017A	Motor Rotor Washer (Motor A)		1
	3136-1017A	Motor Rotor Washer (Motor B)		1
B15-4	4303-316	Spring Washer	M16	1
B15-5	4301-116045	Bolt (Motor A)	M16*45L	1
	4301-116090	Bolt (Motor B)	M16*90L	1
B16-1	4304-105A	Connector		1
B16-2	4302-306	Bonnet		1
B16-3	3101-1091A	Nut		1
B17-1	3142-1094A	Connector		1
B17-2	4302-312	Bonnet		1
B17-3	4302-311	Nut		1
B18-1	3101-1168AC	Plug		1
B18-2	4201-VA119	O-Ring		1
B19-1	4304-101A	Elbow		2
B19-2	3101-1145E	Capillary		1
B20-1	3105-1158C	Oil Filter Flange		1
B20-2	3101-1148BA	Oil Filter Flange Outer Gasket		1
B20-3	3105-1146A	Oil Filter Flange Inner Gasket		1
B20-4	3105-1143C	Oil Filter		1
B20-5	4301-112035	Bolt	M12*35L	6
B21-1	3101-1153BA	Plug		1
B21-2	4201-VP021	O-Ring		1
B22-1	4304-105A	Connector		1
B22-2	4302-306	Bonnet		1
B22-3	3101-1091A	Nut		1
C-Oil Separator				
C1	3138-1800FB	Oil Separator		1
C2	4301-120060	Bolt	M20*60L	24
C3	3105-1001AE	Oil Separator Gasket		1
C4-1	3188-7300C	Check Valve		1
C4-2	3107-1005AC	Connecting Flange Gasket		2
C4-3	4201-NP110	O-Ring		1
C4-4	3107-1015A	Flange Shield		1
C4-5	3103-1019BC	Flange		1
C4-6	4301-120065	Bolt	M20*65L	4
C4-7	4301-120050	Bolt	M20*50L	4
C5-1	4304-106A	Angle Valve		1
C5-2	4302-303	Bonnet		1
C5-3	4302-301	Nut		1
C6	4305-110	Plug		1
D-Motor				
D1	3157-2101AA	Motor Casing (Motor A)		1
	3138-2151CA	Motor Casing (Motor B)		1
D2	3105-1002AD	Motor Casing Gasket		1
D3-1	3181-XX53XA-SH	Motor Stator Assembly (Motor A)		1
	3181-XX55XA-SH	Motor Stator Assembly (Motor B)		1
D3-2	3107-2105BB	Copper Sleeve		1
D4-1	3138-2104A	Motor Stator Guide Vane		2
D4-2	4301-108025	Bolt	M8*25L	8
D4-3	4303-308	Spring Washer		8
D4-4	3101-2103CA	Plate		2
D5-1	3156-2102A	Motor Stator Fixing Plug		1
D5-2	4201-VA122	O-Ring		1
D6-1	4304-105A	Connector		1
D6-2	4302-306	Bonnet		1
D6-3	3101-1091A	Nut		1
D7-1	4304-102A	Connector		1
D7-2	4302-303	Bonnet		1
D7-3	4302-301	Nut		1
D8	4304-201A	Charging Valve		1
D9-1	4304-106A	Angle Valve		1
D9-2	4302-303	Bonnet		1
D9-3	4302-301	Nut		1
D10	3105-1004AD	Gasket		2
D11	3105-1024DC	Suction Filter		1
D12-1	3188-8400A	Stop Valve		1
D12-2	3105-1004AD	Gasket		1
D12-3	4201-NP135	O-Ring		1
D12-4	3108-1015A	Flange Shield		1
D12-5	3105-1019BC	Flange		1
D12-6	4301-120070	Bolt	M20*70L	4
D12-7	4301-120200	Bolt	M20*200L	4
D13	4301-116055	Bolt	M16*55L 20	

12.17. RC2-580 Screw Compressor Part List

Item	Part NO	Description	Specification	Amount
A-Rotor & Bearing Seat				
A1	3106-1131ED	Bearing Seat		1
A2	3157-1132AF	Male Screw Rotor		1
A3	3157-1133AF	Female Screw Rotor		1
A4	3101-1023A	Motor Rotor Key (Motor A)		1
	3155-1023A	Motor Rotor Key (Motor B)		1
A5-1	3105-1134B	α Balance Piston		1
A5-2	4102-NU313E	Discharge Radial Bearing (Male)		1
A5-3	4101-7313BUO	Discharge Axial Bearing (Male)		3
A5-4	4302-265	Bearing Lock Nut		1
A5-5	3106-1109B	Discharge Bearing Fixed Ring (Male)		1
A5-6	4307-DB140	Disc Spring		1
A6-1	4102-NU2309E	Discharge Radial Bearing (Female)		1
A6-2	3105-1137B	Inner Spacer (Female)		1
A6-3	3105-113AA	Outer Spacer (Female)		1
A6-4	4101-7309BUO	Discharge Axial Bearing (Female)		3
A6-5	3106-1111B	Discharge Bearing Fixed Ring (Female)		1
A6-6	4302-245	Bearing Lock Nut		1
A6-7	4307-DB100	Disc Spring		1
A7-1	3105-1101BH	Discharge Cover Plate		1
A7-2	3105-1103AE	Discharge Cover Plate Gasket		1
A7-3	4301-112035	Bolt	M12*35L	15
A8-1	4301-112035	Bolt	M12*35L	1
A8-2	4303-312	Spring Washer		1
A8-3	3101-1037B	Washer		1
A8-4	3105-1116D	Piston		1
A8-5	4201-CA345	O-Ring		2
A8-6	4202-T120	Piston Ring		2
A8-7	5112-GM69	Guide Ring		1
A8-8	4303-420	Copper Washer		1
A8-9	3106-1115AG	Piston Rod		1
A8-10	3106-1113B	Modulation Spring (Inner)		1
A8-11	3106-1117A	Modulation Spring (Outer)		1
A9	3107-1008A	Exhaust Tube Gasket		1
A10	3101-1102B	Position Pin		2
A11	4301-120055	Bolt	M20*55L	8
B-Compression Casing				
B1	3157-1141FA	Compression Casing		1
B2-1	3157-1112C	Slide Valve	Vi=2.6	1
	3157-1212C	Slide Valve	Vi=3.5	1
	3157-1412C	Slide Valve	Vi=3.0	1
	3157-1512C	Slide Valve	Vi=2.2	1
B2-2	3105-1114A	Slide Valve Key		1
B2-3	4301-108016	Bolt	M8*16L	1
B3-1	3106-1175A	Supporter for Slide Valve		1
B3-2	4301-110080	Bolt	M10*80L	4
B4-1	3101-1152DA-A	Oil Level Switch Flange	Standard	1
B4-2	3101-1148BA	Flange Gasket		2
B4-3	3101-116AC	Damper Shield		1
B4-4	4405-61	Oil Level Switch		1
B4-5	4201-VP008	O-Ring		1
B4-6	4201-VP021	O-Ring		1
B4-7	3101-1149D	Oil Level Switch Fitting		1
B4-8	4806-27	Cable Connector		1
B4-9	5107-03	PU Hose		1
B4-10	4305-108	Plug		1
B4-11	4301-112090	Bolt	M12*90L	6
B5-1	4304-106A	Angle Valve		1
B5-2	4302-303	Bonnet		1
B5-3	4302-301	Nut		1
B6-1	3101-1051CC	Oil Heater	220V,150W	1
	3101-1052CC	Oil Heater	220V,300W	1
	3101-0951CC	Oil Heater	110V,150W	1
	3101-0952CC	Oil Heater	110V,300W	1
B6-2	4806-28	Cable Connector		1
B6-3	5108-09	Plastic Corrugated Tube		1
B7-1	4804-17	Sight Glass		2
B7-2	4201-VA024	O-Ring		2
B8-1	3136-1080BD	Terminal Cover Plate (PTC+PT100/1000)	230A	1
	3139-1080AF	Terminal Cover Plate (PTC+PT100/1000)	400A	1
B8-2	4301-112035	Bolt	M12*35L	16
B8-3	3101-1006BA	Terminal Cover Plate Gasket		1
B9-1	4401-38	Solenoid Valve-Step,Gasket(NC)	Standard	1
	4401-39	Solenoid Valve-Stepless(NO)	Optional	1
B9-1-1	4401-38	Solenoid Valve-Step,Gasket(NC)		1
B9-1-2	3161-1168AA	Orifice	Optional	1
B9-2	4402-14	Solenoid Valve Coil	220V	2
	4402-15	Solenoid Valve Coil	110V	2
B9-3	3101-1003BA-A	Solenoid Valve Gasket		5
B9-4	4301-804012	Bolt	M4*12L	12
B9-4-1	4301-804016	Bolt	M4*20L	4
B9-5	3101-1039C	Cover Plate		2
B10-1	3138-1250BA	Economizer Port Flange		1
B10-2	3138-1252B	Shield of Economizer Port Flange		1
B10-3	3138-1151AA	Gasket of Economizer Port Flange		1
B10-4	4301-112040	Bolt	M12*40L	2
B11-1	3105-1107C	Oil-Guiding Ring (Female)		1

Item	Part NO	Description	Specification	Amount
B11-2	4102-NJ2210E	Suction Radial Bearing (Female)		1
B12-1	4303-112	Washer		1
B12-2	4303-312	Spring Washer		1
B12-3	4301-112020	Bolt	M12*20L	1
B13-1	3105-1106C	Oil-Guiding Ring (Male)		1
B13-2	4102-NU2216E	Suction Radial Bearing (Male)		1
B13-3	3156-1104A	Suction Bearing Inner Spacer		1
B13-4	3156-1105A	Suction Bearing Outer Spacer		1
B13-5	4102-NU2216E	Suction Radial Bearing (Male)		1
B14-1	3105-1108A	Suction Bearing Fixed Ring (Male)		1
B14-2	4301-106016	Bolt	M6*16L	6
B15-1	3181-00531A-SH	Motor Rotor Assembly (Motor A)		1
	3181-00551A-SH	Motor Rotor Assembly (Motor B)		1
	3130-1032A	Motor Rotor Spacer (Motor A)		1
B15-2	3101-1034B	Motor Rotor Spacer (Motor B)		1
	3101-1035A	Motor Rotor Spacer (Motor B)		1
B15-3	3105-1017A	Motor Rotor Washer (Motor A)		1
	3136-1017A	Motor Rotor Washer (Motor B)		1
B15-4	4303-316	Spring Washer	M16	1
	4301-116045	Bolt (Motor A)	M16*45L	1
B15-5	4301-116090	Bolt (Motor B)	M16*90L	1
B16-1	4304-105A	Connector		1
B16-2	4302-306	Bonnet		1
B16-3	3101-1091A	Nut		1
B17-1	3142-1094A	Connector		1
B17-2	4302-312	Bonnet		1
B17-3	4302-311	Nut		1
B18-1	3101-1168AC	Plug		1
B18-2	4201-VA119	O-Ring		1
B19-1	4304-101A	Elbow		2
B19-2	3101-1145E	Capillary		1
B20-1	3105-1158C	Oil Filter Flange		1
B20-2	3101-1148BA	Oil Filter Flange Outer Gasket		1
B20-3	3105-1146A	Oil Filter Flange Inner Gasket		1
B20-4	3105-1143C	Oil Filter		1
B20-5	4301-112035	Bolt	M12*35L	6
B21-1	3101-1153BA	Plug		1
B21-2	4201-VP021	O-Ring		1
B22-1	4304-105A	Connector		1
B22-2	4302-306	Bonnet		1
B22-3	3101-1091A	Nut		1
C-Oil Separator				
C1	3157-1800EB	Oil Separator		1
C2	4301-120060	Bolt	M20*60L	24
C3	3105-1001AE	Oil Separator Gasket		1
C4-1	3188-7300C	Check Valve		1
C4-2	3107-1005AC	Connecting Flange Gasket		2
C4-3	4201-NP110	O-Ring		1
C4-4	3107-1015A	Discharge Flange Shield		1
C4-5	3103-1019BC	Flange		1
C4-6	4301-120065	Bolt	M20*65L	4
C4-7	4301-120050	Bolt	M20*50L	4
C5-1	4304-106A	Angle Valve		1
C5-2	4302-303	Bonnet		1
C5-3	4302-301	Nut		1
C6	4305-110	Plug		1
D-Motor				
D1	3157-2101CA	Motor Casing		1
D2	3105-1002AD	Gasket		1
D3-1	3181-XX53XA-SH	Motor Stator Assembly (Motor A)		1
	3181-XX55XA-SH	Motor Stator Assembly (Motor B)		1
D3-2	3107-2105BB	Copper Sleeve		1
D4-1	3156-2104AB	Motor Stator Guide Vane		2
D4-2	4301-108025	Bolt	M8*25L	8
D4-3	4303-308	Spring Washer		8
D4-4	3101-2103CA	Plate		2
D5-1	3156-2102A	Motor Stator Fixing Plug		1
D5-2	4201-VA122	O-Ring		1
D6-1	4304-105A	Connector		1
D6-2	4302-306	Bonnet		1
D6-3	3101-1091A	Nut		1
D7-1	4304-102A	Connector		1
D7-2	4302-303	Bonnet		1
D7-3	4302-301	Nut		1
D8	4304-201A	Charging Valve		1
D9-1	4304-106A	Angle Valve		1
D9-2	4302-303	Bonnet		1
D9-3	4302-301	Nut		1
D10	3105-1004AD	Gasket		2
D11	3105-1024DC	Suction Filter		1
D12-1	3188-8400A	Stop Valve		1
D12-2	3105-1004AD	Gasket		1
D12-3	4201-NP135	O-Ring		1
D12-4	3108-1015A	Flange Shield		1
D12-5	3105-1019BC	Flange		1
D12-6	4301-120070	Bolt	M20*70L	4
D12-7	4301-120200	Bolt	M20*200L	4
D13	4301-116055	Bolt	M16*55L	20

12.18. RC2-610 Screw Compressor Part List (Discontinued)

Item	Part NO	Description	Specification	Amount
A Rotor & Bearing Seat				
A1	3107-1131DC	Bearing Seat		1
A2	3139-1232AC	Male Screw Rotor		1
A3	3107-1133BB	Female Screw Rotor		1
A4	3139-1023A	Motor Rotor Key (Motor A)		1
	3139-1023A-1	Motor Rotor Key (Motor B)		1
A5	3181-00611A-SH	Motor Rotor Assembly (Motor A)		1
	3181-00631A-SH	Motor Rotor Assembly (Motor B)		1
A5-1	3130-1032A	Motor Rotor Spacer (Motor A)		1
	3142-1032A	Motor Rotor Spacer (Motor B)		1
A5-2	3105-1017A	Motor Rotor Washer (Motor A)		1
	3139-1017A	Motor Rotor Washer (Motor B)		1
A5-3	4303-316	Spring Washer		1
A5-4	4301-116045	Bolt (Motor A)	M16*45L	1
	4301-116080	Bolt (Motor B)	M16*80L	1
A6-1	3107-1136A	α Balance Piston (Male)		1
A6-2	4102-NU312E	Discharge Radial Bearing (Male)		1
A6-3	4101-7312 BUO	Discharge Axial Bearing (Male)		3
A6-4	4302-260	Bearing Lock Nut		1
A6-5	3107-1109A	Discharge Bearing Fixed Ring (Male)		1
A6-6	4307-DB112	Disc Spring		1
A7-1	3107-1139A	α Balance Piston (Female)		1
A7-2	4102-NU2311E	Discharge Radial Bearing (Female)		1
A7-3	4101-7311 BUO	Discharge Axial Bearing (Female)		3
A7-4	4302-255	Bearing Lock Nut		1
A7-5	3107-1111A	Discharge Bearing Fixed Ring (Female)		1
	4307-DB100	Disc Spring		1
A8-1	3107-1101AE	Discharge Cover Plate		1
A8-2	3107-1103AC	Discharge Cover Plate Gasket		1
A8-3	4301-112035	Bolt	M12*35L	15
A9-1	3105-1116D	Piston		1
A9-2	4201-CA345	O-Ring		2
A9-3	4202-T120	Piston Ring		2
A9-4	5112-GM69	Guide Ring		1
A9-5	4303-420	Copper Washer		1
A9-6	3107-1115AG	Piston Rod		1
A9-7	3107-1113A	Modulation Spring (Inner)		1
A9-8	3107-1117A	Modulation Spring (Outer)		1
A9-9	3101-1037B	Washer		1
A9-10	4303-312	Spring Washer	M12	1
A9-11	4301-112035	Bolt	M12*35L	1
A10	4301-120055	Bolt	M20*55L	8
A11	3107-1008A	Exhaust Tube Gasket		1
A12	3101-1102B	Position Pin		2
B-Compression Casing				
B1	3107-1141GA	Compression Casing		1
B2-1	3107-1106CD	Oil-Guiding Ring (Male)		1
B2-2	4102-NU2217E	Suction Radial Bearing (Male)		1
B2-3	3107-1104A	Suction Bearing Inner Spacer		1
B2-4	3107-1105A	Suction Bearing Outer Spacer		1
B2-5	4102-NU2217E	Suction Radial Bearing (Male)		1
B2-6	3107-1108A	Suction Bearing Fixed Ring (Male)		1
B2-7	4301-106016	Bolt	M6*16L	6
B3-1	3107-1107C	Oil-Guiding Ring (Female)		1
B3-2	4102-NJ2308E	Suction Radial Bearing (Female)		1
B4-1	4303-112	Washer	M12	1
B4-2	4303-312	Spring Washer	M12	1
B4-3	4301-112020	Bolt	M12*20L	1
B5-1	3107-1158C	Oil Filter Flange		1
B5-2	3107-1148AA	Gasket		1
B5-3	3107-1143D	Oil Filter		1
B5-4	3107-1146A	Oil Filter Flange Inner Gasket		1
B5-5	4301-112040	Bolt	M12*40L	8
B6-1	4304-111A	Connector		1
B6-2	4302-309	Bonnet		1
B6-3	3107-1091A	Nut		1
B7-1	3107-1153B	Plug		1
B7-2	4201-VA122	O-Ring		1
B8-1	4804-17	Sight Glass		1
B8-2	4201-VA024	O-Ring		1
B9-1	4304-114A	Connector		1
B9-2	4302-312	Bonnet		1
B9-3	4302-311	Nut		1
B10-1	3101-1145E	Capillary		1
B10-2	4304-101A	Connector		2
B11-1	3138-1250BA	Economizer Port Flange		1
B11-2	3138-1252B	Shield of Economizer Port Flange		1
B11-3	3138-1151AA	Gasket of Economizer Port Flange		1
B11-4	4301-112040	Bolt	M12*40L	2
B12-1	4304-111A	Connector		1
B12-2	4302-309	Bonnet		1
B12-3	3107-1091A	Nut		1
B13-1	4402-14	Solenoid Valve Coil	220V	2
	4402-15	Solenoid Valve Coil	110V	2
B13-2	4401-38	Solenoid Valve -Step,Gasket (NC)	Standard	1
	4401-39	Solenoid Valve-Stepless(NO)	Optional	1
B13-2-1	4401-38	Solenoid Valve -Step,Gasket (NC)		1
B13-2-2	3161-1168AA	Orifice		1

Item	Part NO	Description	Specification	Amount
B13-3	4301-804012	Bolt	M4*12L	12
B13-3-1	4301-804016	Bolt	M4*20L	4
B13-4	3101-1003BA-A	Solenoid Valve Gasket		5
B13-5	3101-1039C	Cover Plate		2
B14-1	3106-1175A	Supporter for Slide Valve		1
B14-2	4301-110080	Bolt	M10*80L	4
B15-1	3107-1112E	Slide Valve	Vi=2.6	1
	3107-1212D	Slide Valve	Vi=3.5	1
	3107-1412D	Slide Valve	Vi=3.0	1
	3107-1512D	Slide Valve	Vi=2.2	1
B15-2	3105-1114A	Slide Valve Key		1
B15-3	4301-108016	Bolt	M8*16L	1
B16-1	3136-1080BD	Terminal Cover Plate (PTC+PT100/1000)	230A	1
	3139-1080AF	Terminal Cover Plate (PTC+PT100/1000)	400A	1
B16-2	3101-1006BA	Terminal Cover Plate Gasket		1
B16-3	4301-112035	Bolt	M12*35L	6
B17-1	3107-1142DA-A	Oil Level Switch Flange	Standard	1
B17-2	3107-1148AA	Gasket		1
B17-3	3107-116AC	Damper Shield		1
B17-4	3107-1148AA	Gasket		1
B17-5	4405-61	Oil Level Switch		1
B17-6	4201-VP008	O-Ring		1
B17-7	4201-VP021	O-Ring		1
B17-8	3107-1149B	Oil Level Switch Fitting		1
B17-9	4806-27	Cable Connector		1
B17-10	5107-03	PU Hose		1
B17-11	4301-112090	Bolt	M12*90L	8
B17-12	4305-108	Plug		1
B18-1	4304-106A	Angle valve		1
B18-2	4302-303	Bonnet		1
B18-3	4302-301	Nut		1
B19-1	3101-1051CC	Oil Heater	220V,150W	1
	3101-1052CC	Oil Heater	220V,300W	1
	3101-0951CC	Oil Heater	110V,150W	1
	3101-0952CC	Oil Heater	110V,300W	1
B19-2	4806-28	Cable Connector		1
B19-3	5108-09	Plastic Corrugated Tube		1
C-Oil separator				
C1	3138-1800FB	Oil Separator		1
C2	3105-1001AE	Oil Separator Gasket		1
C3	4301-120060	Bolt	M20*60L	24
C4-1	3188-7300C	Check Valve		1
C4-2	3107-1005AC	Gasket		2
C4-3	4201-NP110	O-Ring		1
C4-4	3107-1015A	Discharge Flange Shield		1
C4-5	3103-1019BC	Flange		1
C4-6	4301-120065	Bolt	M20*65L	4
C4-7	4301-120050	Bolt	M20*50L	4
C5-1	4304-106A	Angle Valve		1
C5-2	4302-303	Bonnet		1
C5-3	4302-301	Nut		1
C6	4305-110	Plug		1
C7	4405-97	Discharge Temperature Sensor		1
D-Motor				
D1	3139-2151DB	Motor Casing		1
D2	4301-116055	Bolt	M16*55L	24
D3	3107-1002AC	Motor Casing Gasket		1
D4	3181-XX61XA-SH	Motor Stator Assembly (Motor A)		1
	3181-XX63XA-SH	Motor Stator Assembly (Motor B)		1
D4-1	3107-2105BB	Copper Sleeve		1
D5-1	3139-2102A	Motor Stator Fixing Plug		1
D5-2	4201-VA122	O-Ring		1
D6-1	3188-8500A	Stop Valve		1
D6-2	3107-1004AC	Gasket		1
D6-3	3107-1016A	Flange Shield		1
D6-4	3107-1018AC	Suction Flange		1
D6-5	4301-116060	Bolt	M16*60L	8
D6-6	3107-1004AC	Gasket		1
D6-7	4301-116050	Bolt	M16*50L	8
D7-1	4304-105A	Connector		1
D7-2	4302-306	Bonnet		1
D7-3	3101-1091A	Nut		1
D8-1	4304-102A	Connector		1
D8-2	4302-303	Bonnet		1
D8-3	4302-301	Nut		1
D9	4304-201A	Charging Valve		1
D10-1	4304-106A	Angle valve		1
D10-2	4302-303	Bonnet		1
D10-3	4302-301	Nut		1
D11-1	3161-1024AC	Suction Filter		1
D11-2	4201-VA361	O-Ring		2
D12-1	3107-1053AB	Suction Filter Flange		1
D12-2	3107-1004AC	Gasket		1
D12-3	4301-116040	Bolt	M16*40L	8

12.19. RC2-620 Screw Compressor Part List

Item	Part NO	Description	Specification	Amount
A-Rotor & Bearing Seat				
A1	3138-1131DD	Bearing Seat		1
A2	3158-1132AD	Male Screw Rotor		1
A3	3158-1133AE	Female Screw Rotor		1
A4	3158-1023A	Motor Rotor Key (Motor A)		1
	3158-1023A-1	Motor Rotor Key (Motor B)		1
A5-1	3138-1134AA	Inner Spacer (Male)		1
	3138-113DAB	Outer Spacer (Male)		1
A5-2	4102-NU313E	Discharge Radial Bearing (Male)		1
A5-3	4101-7313BUO	Discharge Axial Bearing (Male)		3
A5-4	4302-265	Bearing Lock Nut		1
A5-5	3138-1109A	Discharge Bearing Fixed Ring (Male)		1
A5-6	4307-DB140	Disc Spring		1
A6-1	4102-NU2310E	Discharge Radial Bearing (Female)		1
A6-2	3138-1137A	Inner Spacer (Female)		1
A6-3	3138-113AA	Outer Spacer (Female)		1
A6-4	4101-7310BUO	Discharge Axial Bearing (Female)		3
A6-5	3138-1111A	Discharge Bearing Fixed Ring (Female)		1
A6-6	4302-250	Bearing Lock Nut		1
A6-7	4307-DB100	Disc Spring		1
A7-1	3138-1101AE	Discharge Cover Plate		1
A7-2	3138-1103AA	Discharge Cover Plate Gasket		1
A7-3	4301-112035	Bolt	M12*35L	15
A8-1	4301-112035	Bolt	M12*35L	1
A8-2	4303-312	Spring Washer		1
A8-3	3101-1037B	Washer		1
A8-4	3105-1116D	Piston		1
A8-5	4201-CA345	O-Ring		2
A8-6	4202-T120	Piston Ring		2
A8-7	5112-GM69	Guide Ring		1
A8-8	4303-420	Copper Washer		1
A8-9	3138-1115AC	Piston Rod		1
A8-10	3107-1113A	Modulation Spring (Inner)		1
A8-11	3107-1117A	Modulation Spring (Outer)		1
A9	3107-1008A	Exhaust Tube Gasket		1
A10	3101-1102B	Position Pin		2
A11	4301-120055	Bolt	M20*55L	8
B-Compression Casing				
B1	3158-1141EA	Compression Casing		1
	3158-1112B	Slide Valve	Vi=2.6	1
B2-1	3158-1212B	Slide Valve	Vi=3.5	1
	3158-1412B	Slide Valve	Vi=3.0	1
	3158-1512B	Slide Valve	Vi=2.2	1
B2-2	3105-1114A	Slide Valve Key		1
B2-3	4301-108016	Bolt	M8*16L	1
B3-1	3106-1175B	Supporter for Slide Valve		1
B3-2	4301-110080	Bolt	M10*80L	4
B4-1	3101-1152DA-A	Oil Level Switch Flange	Standard	1
B4-2	3101-1148BA	Flange Gasket		2
B4-3	3101-116AC	Damper Shield		1
B4-4	4405-61	Oil Level Switch		1
B4-5	4201-VP008	O-Ring		1
B4-6	4201-VP021	O-Ring		1
B4-7	3101-1149D	Oil Level Switch Fitting		1
B4-8	4806-27	Cable Connector		1
B4-9	5107-03	PU Hose		1
B4-10	4305-108	Plug		1
B4-11	4301-112090	Bolt	M12*90L	6
B5-1	4304-106A	Angle Valve		1
B5-2	4302-303	Bonnet		1
B5-3	4302-301	Nut		1
B6-1	3101-1051CC	Oil Heater	220V,150W	1
	3101-1052CC	Oil Heater	220V,300W	1
	3101-0951CC	Oil Heater	110V,150W	1
	3101-0952CC	Oil Heater	110V,300W	1
B6-2	4806-28	Cable Connector		1
B6-3	5108-09	Plastic Corrugated Tube		1
B7-1	4804-17	Sight Glass		2
B7-2	4201-VA024	O-Ring		2
B8-1	3136-1080BD	Terminal Cover Plate (PTC+PT100/1000)	230A	1
	3139-1080AF	Terminal Cover Plate (PTC+PT100/1000)	400A	1
B8-2	4301-112035	Bolt	M12*35L	16
B8-3	3101-1006BA	Terminal Cover Plate Gasket		1
B9-1	4401-38	Solenoid Valve-Step,Gasket(NC)	Standard	1
	4401-39	Solenoid Valve-Stepless(NO)	Optional	1
B9-1-1	4401-38	Solenoid Valve-Step,Gasket(NC)		1
B9-1-2	3161-1168AA	Orifice	Optional	1
B9-2	4402-14	Solenoid Valve Coil	220V	2
	4402-15	Solenoid Valve Coil	110V	2
B9-3	3101-1003BA-A	Solenoid Valve Gasket		5
B9-4	4301-804012	Bolt	M4*12L	12
B9-4-1	4301-804016	Bolt	M4*20L	4
B9-5	3101-1039C	Cover Plate		2
B10-1	3138-1250BA	Economizer Port Flange		1
B10-2	3138-1252A	Shield of Economizer Port Flange		1
B10-3	3138-1151AA	Gasket of Economizer Port Flange		1
B10-4	4301-112040	Bolt	M12*40L	2

Item	Part NO	Description	Specification	Amount
B11-1	3105-1107C	Oil-Guiding Ring (Female)		1
B11-2	4102-NJ2210E	Suction Radial Bearing (Female)		1
B12-1	4303-112	Washer		1
B12-2	4303-312	Spring Washer		1
B12-3	4301-112020	Bolt	M12*20L	1
B13-1	3105-1106C	Oil-Guiding Ring (Male)		1
B13-2	4102-NU2216E	Suction Radial Bearing (Male)		1
B13-3	3156-1104A	Suction Bearing Inner Spacer		1
B13-4	3156-1105A	Suction Bearing Outer Spacer		1
B13-5	4102-NU2216E	Suction Radial Bearing (Male)		1
B14-1	3105-1108A	Suction Bearing Fixed Ring (Male)		1
B14-2	4301-106016	Bolt	M6*16L	6
B15-1	3181-00541A-SH	Motor Rotor Assembly (Motor A)		1
	3181-00561A-SH	Motor Rotor Assembly (Motor B)		1
B15-2	3130-1032A	Motor Rotor Spacer (Motor A)		1
	3142-1032A	Motor Rotor Spacer (Motor B)		1
B15-3	3105-1017A	Motor Rotor Washer (Motor A)		1
	3136-1017A	Motor Rotor Washer (Motor B)		1
B15-4	4303-316	Spring Washer	M16	1
B15-5	4301-116045	Bolt (Motor A)	M16*45L	1
	4301-116090	Bolt (Motor B)	M16*90L	1
B16-1	4304-105A	Connector		1
B16-2	4302-306	Bonnet		1
B16-3	3101-1091A	Nut		1
B17-1	3142-1094A	Connector		1
B17-2	4302-312	Bonnet		1
B17-3	4302-311	Nut		1
B18-1	3101-1168AC	Plug		1
B18-2	4201-VA119	O-Ring		1
B19-1	4304-101A	Elbow		2
B19-2	3101-1145E	Capillary		1
B20-1	3105-1158C	Oil Filter Flange		1
B20-2	3101-1148BA	Oil Filter Flange Outer Gasket		1
B20-3	3105-1146A	Oil Filter Flange Inner Gasket		1
B20-4	3105-1143C	Oil Filter		1
B20-5	4301-112035	Bolt	M12*35L	6
B21-1	3101-1153BA	Plug		1
B21-2	4201-VP021	O-Ring		1
B22-1	4304-105A	Connector		1
B22-2	4302-306	Bonnet		1
B22-3	3101-1091A	Nut		1
C-Oil Separator				
C1	3138-1800FB	Oil Separator		1
C2	4301-120060	Bolt	M20*60L	24
C3	3105-1001AE	Oil Separator Gasket		1
C4-1	3188-7300C	Check Valve		1
C4-2	3107-1005AC	Gasket		2
C4-3	4201-NP110	O-Ring		1
C4-4	3107-1015A	Discharge Flange Shield		1
C4-5	3103-1019BC	Flange		1
C4-6	4301-120065	Bolt	M20*65L	4
C4-7	4301-120050	Bolt	M20*50L	4
C5-1	4304-106A	Angle Valve		1
C5-2	4302-303	Bonnet		1
C5-3	4302-301	Nut		1
C6	4305-914A	Plug		1
D-Motor				
D1	3158-2101CA	Motor Casing		1
D2	3105-1002AD	Motor Casing Gasket		1
D3-1	3181-XX54XA-SH	Motor Stator Assembly (Motor A)		1
	3181-XX56XA-SH	Motor Stator Assembly (Motor B)		1
D3-2	3107-2105BB	Copper Sleeve		1
D4-1	3156-2104AB	Motor Stator Guide Vane		2
D4-2	4301-108025	Bolt	M8*25L	8
D4-3	4303-308	Spring Washer		8
D4-4	3101-2103CA	Plate		2
D5-1	3156-2102A	Motor Stator Fixing Plug		1
D5-2	4201-VA122	O-Ring		1
D6-1	4304-105A	Connector		1
D6-2	4302-306	Bonnet		1
D6-3	3101-1091A	Nut		1
D7-1	4304-102A	Connector		1
D7-2	4302-303	Bonnet		1
D7-3	4302-301	Nut		1
D8	4304-201A	Charging Valve		1
D9-1	4304-106A	Angle Valve		1
D9-2	4302-303	Bonnet		1
D9-3	4302-301	Nut		1
D10	3105-1004AD	Gasket		2
D11	3158-1024BC	Suction Filter		1
D12-1	3188-8500A	Stop Valve		1
D12-2	3105-1004AD	Gasket		1
D12-3	NA			NA
D12-4	3107-1016A	Flange Shield		1
D12-5	3107-1018AC	Suction Flange		1
D12-6	4301-116060	Bolt	M16*60L	8
D12-7	4301-116055	Bolt	M16*55L	8
D13	4301-116055	Bolt	M16*55L	20

12.20. RC2-710 Screw Compressor Part List

Item	Part NO	Description	Specification	Amount
A-Rotor & Bearing Seat				
A1	3108-1131EE	Bearing Seat		1
A2	3159-1132AE	Male Screw Rotor		1
A3	3159-1133AD	Female Screw Rotor		1
A4	3139-1023A	Motor Rotor Key (Motor A)		1
	3159-1023A	Motor Rotor Key (Motor B)		1
A5	3181-00611A-SH	Motor Rotor Assembly (Motor A)		1
	3181-00641A-SH	Motor Rotor Assembly (Motor B)		1
A5-1	3130-1032A	Motor Rotor Spacer (Motor A)		1
	3143-1033A	Motor Rotor Spacer (Motor B)		1
A5-2	3105-1017A	Motor Rotor Washer (Motor A)		1
	3139-1017A	Motor Rotor Washer (Motor B)		1
A5-3	4303-316	Spring Washer		1
A5-4	4301-116045	Bolt (Motor A)	M16*45L	1
	4301-116110	Bolt (Motor B)	M16*110L	1
A6-1	3107-1136A	α Balance Piston (Male)		1
A6-2	4102-NU312E	Discharge Radial Bearing (Male)		1
A6-3	4101-7312 BUO	Discharge Axial Bearing (Male)		3
A6-4	4302-260	Bearing Lock Nut		1
A6-5	3108-1109A	Discharge Bearing Fixed Ring (Male)		1
A6-6	4307-DB112	Disc Spring		1
A7-1	3107-1139A	α Balance Piston (Female)		1
A7-2	4102-NU2311E	Discharge Radial Bearing (Female)		1
A7-3	4101-7311 BUO	Discharge Axial Bearing (Female)		3
A7-4	4302-255	Bearing Lock Nut		1
A7-5	3108-1111A	Discharge Bearing Fixed Ring (Female)		1
A7-6	4307-DB100	Disc Spring		1
A8-1	3107-1101AE	Discharge Cover Plate		1
A8-2	3107-1103AC	Discharge Cover Plate Gasket		1
A8-3	4301-112035	Bolt	M12*35L	15
A9-1	3105-1116D	Piston		1
A9-2	4201-CA345	O-Ring		2
A9-3	4202-T120	Piston Ring		2
A9-4	5112-GM69	Guide Ring		1
A9-5	4303-420	Copper Washer		1
A9-6	3108-1115AG	Piston Rod		1
A9-7	3108-1113A	Modulation Spring (Inner)		1
A9-8	3108-1117A	Modulation Spring (Outer)		1
A9-9	3101-1037B	Washer		1
A9-10	4303-312	Spring Washer	M12	1
A9-11	4301-112035	Bolt	M12*35L	1
A10	4301-120055	Bolt	M20*55L	8
A11	3107-1008A	Exhaust Tube Gasket		1
A12	3101-1102B	Position Pin		2
B-Compression Casing				
B1	3159-1141EA	Compression Casing		1
B2-1	3107-1106CD	Oil-Guiding Ring (Male)		1
B2-2	4102-NU2217E	Suction Radial Bearing (Male)		1
B2-3	3107-1104A	Suction Bearing Inner Spacer		1
B2-4	3107-1105A	Suction Bearing Outer Spacer		1
B2-5	4102-NU2217E	Suction Radial Bearing (Male)		1
B2-6	3107-1108A	Suction Bearing Fixed Ring (Male)		1
B2-7	4301-106016	Bolt	M6*16L	6
B3-1	3107-1107C	Oil-Guiding Ring (Female)		1
B3-2	4102-NJ2308E	Suction Radial Bearing (Female)		1
B4-1	4303-112	Washer	M12	1
B4-2	4303-312	Spring Washer	M12	1
B4-3	4301-112020	Bolt	M12*20L	1
B5-1	3107-1158C	Oil Filter Flange		1
B5-2	3107-1148AA	Gasket		1
B5-3	3107-1143D	Oil Filter		1
B5-4	3107-1146A	Oil Filter Flange Inner Gasket		1
B5-5	4301-112040	Bolt	M12*40L	8
B6-1	4304-111A	Connector		1
B6-2	4302-309	Bonnet		1
B6-3	3107-1091A	Nut		1
B7-1	3107-1153B	Plug		1
B7-2	4201-VA122	O-Ring		1
B8-1	4804-17	Sight Glass		1
B8-2	4201-VA024	O-Ring		1
B9-1	4304-114A	Connector		1
B9-2	4302-312	Bonnet		1
B9-3	4302-311	Nut		1
B10-1	3108-1145E	Capillary		1
B10-2	4304-101A	Connector		2
B11-1	3138-1250BA	Economizer Port Flange		1
B11-2	3138-1252B	Shield of Economizer Port Flange		1
B11-3	3138-1151AA	Gasket of Economizer Port Flange		1
B11-4	4301-112040	Bolt	M12*40L	2
B12-1	4304-111A	Connector		1
B12-2	4302-309	Bonnet		1
B12-3	3107-1091A	Nut		1
B13-1	4402-14	Solenoid Valve Coil	220V	2
	4402-15	Solenoid Valve Coil	110V	2
B13-2	4401-38	Solenoid Valve -Step,Gasket (NC)	Standard	1
	4401-39	Solenoid Valve-Stepless(NO)	Optional	1
B13-2-1	4401-38	Solenoid Valve -Step,Gasket (NC)		1
B13-2-2	3161-1168AA	Orifice		1

Item	Part NO	Description	Specification	Amount
B13-3	4301-804012	Bolt	M4*12L	12
B13-3-1	4301-804016	Bolt	M4*20L	4
B13-4	3101-1003BA-A	Solenoid Valve Gasket		5
B13-5	3101-1039C	Cover Plate		2
B14-1	3106-1175A	Supporter for Slide Valve		1
B14-2	4301-110080	Bolt	M10*80L	4
B15-1	3159-1112C	Slide Valve	Vi2.6	1
	3159-1212C	Slide Valve	Vi 3.5	1
	3159-1412C	Slide Valve	Vi 3.0	1
	3159-1512C	Slide Valve	Vi 2.2	1
B15-2	3107-1114A	Slide Valve Key		1
B15-3	4301-108016	Bolt	M8*16L	1
B16-1	3136-1080BD	Terminal Cover Plate (PTC+PT100/1000)	230A	1
	3139-1080AF	Terminal Cover Plate (PTC+PT100/1000)	400A	1
B16-2	3101-1006BA	Terminal Cover Plate Gasket		1
B16-3	4301-112035	Bolt	M12*35L	6
B17-1	3107-1142DA-A	Oil Level Switch Flange	Standard	1
B17-2	3107-1148AA	Gasket		1
B17-3	3107-116AC	Damper Shield		1
B17-4	3107-1148AA	Gasket		1
B17-5	4405-61	Oil Level Switch		1
B17-6	4201-VP008	O-Ring		1
B17-7	4201-VP021	O-Ring		1
B17-8	3107-1149B	Oil Level Switch Fitting		1
B17-9	4806-27	Cable Connector		1
B17-10	5107-03	PU Hose		1
B17-11	4301-112090	Bolt	M12*90L	8
B17-12	4305-108	Plug		1
B18-1	4304-106A	Angle valve		1
B18-2	4302-303	Bonnet		1
B18-3	4302-301	Nut		1
B19-1	3101-1051CC	Oil Heater	220V,150W	1
	3101-1052CC	Oil Heater	220V,300W	1
	3101-0951CC	Oil Heater	110V,150W	1
	3101-0952CC	Oil Heater	110V,300W	1
B19-2	4806-28	Cable Connector		1
B19-3	5108-09	Plastic Corrugated Tube		1
C-Oil Separator				
C1	3140-1800FB	Oil Separator		1
C2	3105-1001AE	Oil Separator Gasket		1
C3	4301-120060	Bolt	M20*60L	24
C4-1	3188-7400C	Check Valve		1
C4-2	3105-1004AD	Gasket		2
C4-3	4201-NP135	O-Ring		1
C4-4	3108-1015A	Discharge Flange Shield		1
C4-5	3105-1019BC	Flange		1
C4-6	4301-120070	Bolt	M20*70L	4
C4-7	4301-120050	Bolt	M20*50L	4
C5-1	4304-106A	Angle Valve		1
C5-2	4302-303	Bonnet		1
C5-3	4302-301	Nut		1
C6	4305-110	Plug		1
C7	4405-97	Discharge Temperature Sensor		1
D-Motor				
D1	3159-2101DA	Motor Casing (Motor A)		1
	3140-2151DA	Motor Casing (Motor B)		1
D2	4301-116055	Bolt	M16*55L	24
D3	3107-1002AC	Motor Casing Gasket		1
D4	3181-XX61XA-SH	Motor Stator Assembly (Motor A)		1
	3181-XX64XA-SH	Motor Stator Assembly (Motor B)		1
D4-1	3107-2105BB	Copper Sleeve		1
D5-1	3139-2102A	Motor Stator Fixing Plug		1
D5-2	4201-VA122	O-Ring		1
D6-1	3188-8500A	Stop Valve		1
D6-2	3107-1004AC	Gasket		1
D6-3	3107-1016A	Flange Shield		1
D6-4	3107-1018AC	Suction Flange		1
D6-5	4301-116060	Bolt	M16*60L	8
D6-6	3107-1004AC	Gasket		1
D6-7	4301-116050	Bolt	M16*50L	8
D7-1	4304-105A	Connector		1
D7-2	4302-306	Bonnet		1
D7-3	3101-1091A	Nut		1
D8-1	4304-102A	Connector		1
D8-2	4302-303	Bonnet		1
D8-3	4302-301	Nut		1
D9	4304-201A	Charging Valve		1
D10-1	4304-106A	Angle valve		1
D10-2	4302-303	Bonnet		1
D10-3	4302-301	Nut		1
D11-1	3161-1024AC	Suction Filter		1
D11-2	4201-VA361	O-Ring		2
D12-1	3107-1053AB	Suction Filter Flange		1
D12-2	3107-1004AC	Gasket		1
D12-3	4301-116040	Bolt	M16*40L	8

12.21. RC2-790 Screw Compressor Part List

Item	Part NO	Description	Specification	Amount
A-Rotor & Bearing Seat				
A1	3108-1131EE	Bearing Seat		1
A2	3140-1232AD	Male Screw Rotor		1
A3	3108-1133AC	Female Screw Rotor		1
A4	3141-1023A	Motor Rotor Key (Motor A)		1
	3140-1023A	Motor Rotor Key (Motor B)		1
A5	3181-00621A-SH	Motor Rotor Assembly (Motor A)		1
	3181-00651A-SH	Motor Rotor Assembly (Motor B)		1
A5-1	3130-1032A	Motor Rotor Spacer (Motor A)		1
	3101-103CB	Motor Rotor Spacer (Motor B)		1
	3107-1034A	Motor Rotor Spacer (Motor B)		1
A5-2	3105-1017A	Motor Rotor Washer (Motor A)		1
	3139-1017A	Motor Rotor Washer (Motor B)		1
A5-3	4303-316	Spring Washer		1
A5-4	4301-116045	Bolt (Motor A)	M16*45L	1
	4301-116110	Bolt (Motor B)	M16*110L	1
A6-1	3107-1136A	α Balance Piston (Male)		1
A6-2	4102-NU312E	Discharge Radial Bearing (Male)		1
A6-3	4101-7312 BUO	Discharge Axial Bearing (Male)		3
A6-4	4302-260	Bearing Lock Nut		1
A6-5	3108-1109A	Discharge Bearing Fixed Ring (Male)		1
A6-6	4307-DB112	Disc Spring		1
A7-1	3107-1139A	α Balance Piston (Female)		1
A7-2	4102-NU2311E	Discharge Radial Bearing (Female)		1
A7-3	4101-7311 BUO	Discharge Axial Bearing (Female)		3
A7-4	4302-255	Bearing Lock Nut		1
A7-5	3108-1111A	Discharge Bearing Fixed Ring (Female)		1
A7-6	4307-DB100	Disc Spring		1
A8-1	3107-1101AE	Discharge Cover Plate		1
A8-2	3107-1103AC	Discharge Cover Plate Gasket		1
A8-3	4301-112035	Bolt	M12*35L	15
A9-1	3105-1116D	Piston		1
A9-2	4201-CA345	O-Ring		2
A9-3	4202-T120	Piston Ring		2
A9-4	5112-GM69	Guide Ring		1
A9-5	4303-420	Copper Washer		1
A9-6	3108-1115AG	Piston Rod		1
A9-7	3108-1113A	Modulation Spring (Inner)		1
A9-8	3108-1117A	Modulation Spring (Outer)		1
A9-9	3101-1037B	Washer		1
A9-10	4303-312	Spring Washer	M12	1
A9-11	4301-112035	Bolt	M12*35L	1
A10	4301-120055	Bolt	M20*55L	8
A11	3107-1008A	Exhaust Tube Gasket		1
A12	3101-1102B	Position Pin		2
B-Compression Casing				
B1	3108-1141FA	Compression Casing		1
B2-1	3107-1106CD	Oil-Guiding Ring (Male)		1
B2-2	4102-NU2217E	Suction Radial Bearing (Male)		1
B2-3	3107-1104A	Suction Bearing Inner Spacer		1
B2-4	3107-1105A	Suction Bearing Outer Spacer		1
B2-5	4102-NU2217E	Suction Radial Bearing (Male)		1
B2-6	3107-1108A	Suction Bearing Fixed Ring (Male)		1
B2-7	4301-106016	Bolt	M6*16L	6
B3-1	3107-1107C	Oil-Guiding Ring (Female)		1
B3-2	4102-NJ2308E	Suction Radial Bearing (Female)		1
B4-1	4303-112	Washer	M12	1
B4-2	4303-312	Spring Washer	M12	1
B4-3	4301-112020	Bolt	M12*20L	1
B5-1	3107-1158C	Oil Filter Flange		1
B5-2	3107-1148AA	Gasket		1
B5-3	3107-1143D	Oil Filter		1
B5-4	3107-1146A	Oil Filter Flange Inner Gasket		1
B5-5	4301-112040	Bolt	M12*40L	8
B6-1	4304-111A	Connector		1
B6-2	4302-309	Bonnet		1
B6-3	3107-1091A	Nut		1
B7-1	3107-1153B	Plug		1
B7-2	4201-VA122	O-Ring		1
B8-1	4804-17	Sight Glass		1
B8-2	4201-VA024	O-Ring		1
B9-1	4304-114A	Connector		1
B9-2	4302-312	Bonnet		1
B9-3	4302-311	Nut		1
B10-1	3108-1145E	Capillary		1
B10-2	4304-101A	Connector		2
B11-1	3138-1250BA	Economizer Port Flange		1
B11-2	3138-1252B	Shield of Economizer Port Flange		1
B11-3	3138-1151AA	Gasket of Economizer Port Flange		1
B11-4	4301-112040	Bolt	M12*40L	2
B12-1	4304-111A	Connector		1
B12-2	4302-309	Bonnet		1
B12-3	3107-1091A	Nut		1
B13-1	4402-14	Solenoid Valve Coil	220V	2
	4402-15	Solenoid Valve Coil	110V	2
B13-2	4401-38	Solenoid Valve -Step,Gasket (NC)	Standard	1
	4401-39	Solenoid Valve-Stepless(NO)	Optional	1
B13-2-1	4401-38	Solenoid Valve -Step,Gasket (NC)		1

Item	Part NO	Description	Specification	Amount
B13-2-2	3161-1168AA	Orifice		1
B13-3	4301-804012	Bolt	M4*12L	12
B13-3-1	4301-804016	Bolt	M4*20L	4
B13-4	3101-1003BA-A	Solenoid Valve Gasket		5
B13-5	3101-1039C	Cover Plate		2
B14-1	3106-1175A	Supporter for Slide Valve		1
B14-2	4301-110080	Bolt	M10*80L	4
B15-1	3108-1112E	Slide Valve	Vi 2.6	1
	3108-1212D	Slide Valve	Vi 3.5	1
	3108-1412E	Slide Valve	Vi 3.0	1
	3108-1512E	Slide Valve	Vi 2.2	1
B15-2	3107-1114A	Slide Valve Key		1
B15-3	4301-108016	Bolt	M8*16L	1
B16-1	3136-1080BD	Terminal Cover Plate (PTC+PT100/1000)	230A	1
	3139-1080AF	Terminal Cover Plate (PTC+PT100/1000)	400A	1
B16-2	3101-1006BA	Terminal Cover Plate Gasket		1
B16-3	4301-112035	Bolt	M12*35L	16
B17-1	3107-1142DA-A	Oil Level Switch Flange	Standard	1
B17-2	3107-1148AA	Gasket		1
B17-3	3107-116AC	Damper Shield		1
B17-4	3107-1148AA	Gasket		1
B17-5	4405-61	Oil Level Switch		1
B17-6	4201-VP008	O-Ring		1
B17-7	4201-VP021	O-Ring		1
B17-8	3107-1149B	Oil Level Switch Fitting		1
B17-9	4806-27	Cable Connector		1
B17-10	5107-03	PU Hose		1
B17-11	4301-112090	Bolt	M12*90L	8
B17-12	4305-108	Plug		1
B18-1	4304-106A	Angle valve		1
B18-2	4302-303	Bonnet		1
B18-3	4302-301	Nut		1
B19-1	3101-1051CC	Oil Heater	220V,150W	1
	3101-1052CC	Oil Heater	220V,300W	1
	3101-0951CC	Oil Heater	110V,150W	1
	3101-0952CC	Oil Heater	110V,300W	1
B19-2	4806-28	Cable Connector		1
B19-3	5108-09	Plastic Corrugated Tube		1
C-Oil Separator				
C1	3140-1800FB	Oil Separator		1
C2	3105-1001AE	Oil Separator Gasket		1
C3	4301-120060	Bolt	M20*60L	24
C4-1	3188-7400C	Check Valve		1
C4-2	3105-1004AD	Gasket		2
C4-3	4201-NP135	O-Ring		1
C4-4	3108-1015A	Discharge Flange Shield		1
C4-5	3105-1019BC	Flange		1
C4-6	4301-120070	Bolt	M20*70L	4
C4-7	4301-120050	Bolt	M20*50L	4
C5-1	4304-106A	Angle Valve		1
C5-2	4302-303	Bonnet		1
C5-3	4302-301	Nut		1
C6	4305-110	Plug		1
C7	4405-97	Discharge Temperature Sensor		1
D-Motor				
D1	3139-2151DB	Motor Casing (Motor A)		1
	3140-2151DA	Motor Casing (Motor B)		1
D2	4301-116055	Bolt	M16*55L	24
D3	3107-1002AC	Motor Casing Gasket		1
D4	3181-XX62XA-SH	Motor Stator Assembly (Motor A)		1
	3181-XX65XA-SH	Motor Stator Assembly (Motor B)		1
D4-1	3107-2105BB	Copper Sleeve		1
D5-1	3139-2102A	Motor Stator Fixing Plug		1
D5-2	4201-VA122	O-Ring		1
D6-1	3188-8500A	Stop Valve		1
D6-2	3107-1004AC	Gasket		1
D6-3	3107-1016A	Flange Shield		1
D6-4	3107-1018AC	Suction Flange		1
D6-5	4301-116060	Bolt	M16*60L	8
D6-6	3107-1004AC	Gasket		1
D6-7	4301-116050	Bolt	M16*50L	8
D7-1	4304-105A	Connector		1
D7-2	4302-306	Bonnet		1
D7-3	3101-1091A	Nut		1
D8-1	4304-102A	Connector		1
D8-2	4302-303	Bonnet		1
D8-3	4302-301	Nut		1
D9	4304-201A	Charging Valve		1
D10-1	4304-106A	Angle valve		1
D10-2	4302-303	Bonnet		1
D10-3	4302-301	Nut		1
D11-1	3161-1024AC	Suction Filter		1
D11-2	4201-VA361	O-Ring		2
D12-1	3107-1053AB	Suction Filter Flange		1
D12-2	3107-1004AC	Gasket		1
D12-3	4301-116040	Bolt	M16*40L	8

12.22. RC2-830 Screw Compressor Part List

Item	Part NO	Description	Specification	Amount
A-Rotor & Bearing Seat				
A1	3120-1131EC	Bearing Seat		1
A2	3141-1232AE	Male Screw Rotor		1
A3	3120-1133AG	Female Screw Rotor		1
A4	3141-1023A	Motor Rotor Key (Motor A)		1
	3140-1023A	Motor Rotor Key (Motor B)		1
A5	3181-00631A-SH	Motor Rotor Assembly (Motor A)		1
	3181-00661A-SH	Motor Rotor Assembly (Motor B)		1
A5-1	3130-1032A	Motor Rotor Spacer (Motor A)		1
	3101-103CB	Motor Rotor Spacer (Motor B)		1
	3107-1034A	Motor Rotor Spacer (Motor B)		1
A5-2	3105-1017A	Motor Rotor Washer (Motor A)		1
	3139-1017A	Motor Rotor Washer (Motor B)		1
A5-3	4303-316	Spring Washer		1
A5-4	4301-116060	Bolt (Motor A)	M16*60L	1
	4301-116130	Bolt (Motor B)	M16*130L	1
A6-1	3107-1136A	α Balance Piston (Male)		1
A6-2	4102-NU312E	Discharge Radial Bearing (Male)		1
A6-3	4101-7312 BUO	Discharge Axial Bearing (Male)		3
A6-4	4302-260	Bearing Lock Nut		1
A6-5	3108-1109A	Discharge Bearing Fixed Ring (Male)		1
A6-6	4307-DB112	Disc Spring		1
A7-1	3107-1139A	α Balance Piston (Female)		1
A7-2	4102-NU2311E	Discharge Radial Bearing (Female)		1
A7-3	4101-7311 BUO	Discharge Axial Bearing (Female)		3
A7-4	4302-255	Bearing Lock Nut		1
A7-5	3108-1111A	Discharge Bearing Fixed Ring (Female)		1
A7-6	4307-DB100	Disc Spring		1
A8-1	3120-1101A	Discharge Cover Plate		1
A8-2	3107-1103AC	Discharge Cover Plate Gasket		1
A8-3	4301-112035	Bolt	M12*35L	15
A9-1	3105-1116D	Piston		1
A9-2	4201-CA345	O-Ring		2
A9-3	4202-T120	Piston Ring		2
A9-4	5112-GM69	Guide Ring		1
A9-5	4303-420	Copper Washer		1
A9-6	3108-1115AG	Piston Rod		1
A9-7	3108-1113A	Modulation Spring (Inner)		1
A9-8	3108-1117A	Modulation Spring (Outer)		1
A9-9	3101-1037B	Washer		1
A9-10	4303-312	Spring Washer	M12	1
A9-11	4301-112035	Bolt	M12*35L	1
A10	4301-120055	Bolt	M20*55L	8
A11	3107-1008A	Exhaust Tube Gasket		1
A12	3101-1102B	Position Pin		2
B-Compression Casing				
B1	3120-1141FA	Compression Casing		1
B2-1	3107-1106CD	Oil-Guiding Ring (Male)		1
B2-2	4102-NU2217E	Suction Radial Bearing (Male)		1
B2-3	3120-1104A	Suction Bearing Inner Spacer		1
B2-4	3120-1105A	Suction Bearing Outer Spacer		1
B2-5	4102-NU2217E	Suction Radial Bearing (Male)		1
B2-6	3107-1108A	Suction Bearing Fixed Ring (Male)		1
B2-7	4301-106016	Bolt	M6*16L	6
B3-1	3107-1107C	Oil-Guiding Ring (Female)		1
B3-2	4102-NJ2308E	Suction Radial Bearing (Female)		1
B4-1	4303-112	Washer	M12	1
B4-2	4303-312	Spring Washer	M12	1
B4-3	4301-112020	Bolt	M12*20L	1
B5-1	3107-1158C	Oil Filter Flange		1
B5-2	3107-1148AA	Gasket		1
B5-3	3107-1143D	Oil Filter		1
B5-4	3107-1146A	Oil Filter Flange Inner Gasket		1
B5-5	4301-112040	Bolt	M12*40L	8
B6-1	4304-111A	Connector		1
B6-2	4302-309	Bonnet		1
B6-3	3107-1091A	Nut		1
B7-1	3107-1153B	Plug		1
B7-2	4201-VA122	O-Ring		1
B8-1	4804-17	Sight Glass		1
B8-2	4201-VA024	O-Ring		1
B9-1	4304-114A	Connector		1
B9-2	4302-312	Bonnet		1
B9-3	4302-311	Nut		1
B10-1	3108-1145E	Capillary		1
B10-2	4304-101A	Connector		2
B11-1	3138-1250BA	Economizer Port Flange		1
B11-2	3138-1252B	Shield of Economizer Port Flange		1
B11-3	3138-1151AA	Gasket of Economizer Port Flange		1
B11-4	4301-112040	Bolt	M12*40L	2
B12-1	4304-111A	Connector		1
B12-2	4302-309	Bonnet		1
B12-3	3107-1091A	Nut		1
B13-1	4402-14	Solenoid Valve Coil	220V	2
	4402-15	Solenoid Valve Coil	110V	2
B13-2	4401-38	Solenoid Valve -Step,Gasket (NC)	Standard	1
	4401-39	Solenoid Valve-Stepless(NO)	Optional	1
B13-2-1	4401-38	Solenoid Valve -Step,Gasket (NC)		1

Item	Part NO	Description	Specification	Amount
B13-2-2	3161-1168AA	Orifice		1
B13-3	4301-804012	Bolt	M4*12L	12
B13-3-1	4301-804016	Bolt	M4*20L	4
B13-4	3101-1003BA-A	Solenoid Valve Gasket		5
B13-5	3101-1039C	Cover Plate		2
B14-1	3106-1175A	Supporter for Slide Valve		1
B14-2	4301-110080	Bolt	M10*80L	4
B15-1	3120-1112E	Slide Valve	Vi 2.6	1
	3120-1212D	Slide Valve	Vi 3.5	1
	3120-1412E	Slide Valve	Vi 3.0	1
	3120-1512E	Slide Valve	Vi 2.2	1
B15-2	3107-1114A	Slide Valve Key		1
B15-3	4301-108016	Bolt	M8*16L	1
B16-1	3136-1080BD	Terminal Cover Plate (PTC+PT100/1000)	230A	1
	3139-1080AF	Terminal Cover Plate (PTC+PT100/1000)	400A	1
B16-2	3101-1006BA	Terminal Cover Plate Gasket		1
B16-3	4301-112035	Bolt	M12*35L	1
B17-1	3107-1142DA-A	Oil Level Switch Flange	Standard	1
B17-2	3107-1148AA	Gasket		1
B17-3	3107-116AB	Damper Shield		1
B17-4	3107-1148AA	Gasket		1
B17-5	4405-61	Oil Level Switch		1
B17-6	4201-VP008	O-Ring		1
B17-7	4201-VP021	O-Ring		1
B17-8	3107-1149B	Oil Level Switch Fitting		1
B17-9	4806-27	Cable Connector		1
B17-10	5107-03	PU Hose		1
B17-11	4301-112090	Bolt	M12*90L	8
B17-12	4305-108	Plug		1
B18-1	4304-106A	Angle valve		1
B18-2	4302-303	Bonnet		1
B18-3	4302-301	Nut		1
B19-1	3101-1051CC	Oil Heater	220V,150W	1
	3101-1052CC	Oil Heater	220V,300W	1
	3101-0951CC	Oil Heater	110V,150W	1
	3101-0952CC	Oil Heater	110V,300W	1
B19-2	4806-28	Cable Connector		1
B19-3	5108-09	Plastic Corrugated Tube		1
C-Oil Separator				
C1	3140-1800FB	Oil Separator		1
C2	3105-1001AE	Oil Separator Gasket		1
C3	4301-120060	Bolt	M20*60L	24
C4-1	3188-7400C	Check Valve		1
C4-2	3105-1004AD	Gasket		2
C4-3	4201-NP135	O-Ring		1
C4-4	3108-1015A	Discharge Flange Shield		1
C4-5	3105-1019BC	Flange		1
C4-6	4301-120070	Bolt	M20*70L	4
C4-7	4301-120050	Bolt	M20*50L	4
C5-1	4304-106A	Angle Valve		1
C5-2	4302-303	Bonnet		1
C5-3	4302-301	Nut		1
C6	4305-110	Plug		1
C7	4405-97	Discharge Temperature Sensor		1
D-Motor				
D1	3139-2151DB	Motor Casing (Motor A)		1
	3140-2151DA	Motor Casing (Motor B)		1
D2	4301-116055	Bolt	M16*55L	24
D3	3107-1002AC	Motor Casing Gasket		1
D4	3181-XX63XA-SH	Motor Stator Assembly (Motor A)		1
	3181-XX66XA-SH	Motor Stator Assembly (Motor B)		1
D4-1	3107-2105BB	Copper Sleeve		1
D5-1	3139-2102A	Motor Stator Fixing Plug		1
D5-2	4201-VA122	O-Ring		1
D6-1	3188-8500A	Stop Valve		1
D6-2	3107-1004AC	Gasket		1
D6-3	3107-1016A	Flange Shield		1
D6-4	3107-1018AC	Suction Flange		1
D6-5	4301-116060	Bolt	M16*60L	8
D6-6	3107-1004AC	Gasket		1
D6-7	4301-116050	Bolt	M16*50L	8
D7-1	4304-105A	Connector		1
D7-2	4302-306	Bonnet		1
D7-3	3101-1091A	Nut		1
D8-1	4304-102A	Connector		1
D8-2	4302-303	Bonnet		1
D8-3	4302-301	Nut		1
D9	4304-201A	Charging Valve		1
D10-1	4304-106A	Angle valve		1
D10-2	4302-303	Bonnet		1
D10-3	4302-301	Nut		1
D11-1	3161-1024AC	Suction Filter		1
D11-2	4201-VA361	O-Ring		2
D12-1	3107-1053AB	Suction Filter Flange		1
D12-2	3107-1004AC	Gasket		1
D12-3	4301-116040	Bolt	M16*40L	8

12.23. RC2-930 Screw Compressor Part List

Item	Part NO	Description	Specification	Amount
A-Rotor & Bearing Seat				
A1	3120-1131EC	Bearing Seat		1
A2	3161-1132AE	Male Screw Rotor		1
A3	3161-1133AE	Female Screw Rotor		1
A4	3141-1023A	Motor Rotor Key (Motor A)		1
	3161-1023A	Motor Rotor Key (Motor B)		1
A5	3181-00641A-SH	Motor Rotor Assembly (Motor A)		1
	3181-00671A-SH	Motor Rotor Assembly (Motor B)		1
A5-1	3107-1035A	Motor Rotor Spacer (Motor A)		1
	3144-1034A	Motor Rotor Spacer (Motor B)		1
A5-2	3105-1017A	Motor Rotor Washer (Motor A)		1
	3139-1017A	Motor Rotor Washer (Motor B)		1
A5-3	4303-316	Spring Washer		1
A5-4	4301-116060	Bolt (Motor A)	M16*60L	1
	4301-116130	Bolt (Motor B)	M16*130L	1
A6-1	3107-1136A	α Balance Piston (Male)		1
A6-2	4102-NU312E	Discharge Radial Bearing (Male)		1
A6-3	4101-7312 BUO	Discharge Axial Bearing (Male)		3
A6-4	4302-260	Bearing Lock Nut		1
A6-5	3108-1109A	Discharge Bearing Spacer(Male)		1
A6-6	4307-DB112	Disc Spring		1
A7-1	3107-1139A	α Balance Piston (Female)		1
A7-2	4102-NU2311E	Discharge Radial Bearing (Female)		1
A7-3	4101-7311 BUO	Discharge Axial Bearing (Female)		3
A7-4	4302-255	Bearing Lock Nut	KM11	1
A7-5	3108-1111A	Discharge Bearing Fixed Ring (Female)		1
A7-6	4307-DB100	Disc Spring		1
A8-1	3120-1101A	Discharge Cover Plate		1
A8-2	3107-1103A	Discharge Cover Plate Gasket		1
A8-3	4301-112035	Bolt	M12*35L	15
A9-1	3105-1116D	Piston		1
A9-2	4201-CA345	O-Ring		2
A9-3	4202-T120	Piston Ring		2
A9-4	5112-GM69	Guide Ring		1
A9-5	4303-420	Copper Washer		1
A9-6	3108-1115AG	Piston Rod		1
A9-7	3108-1113A	Modulation Spring (Inner)		1
A9-8	3108-1117A	Modulation Spring (Outer)		1
A9-9	3101-1037B	Washer		1
A9-10	4303-312	Spring Washer		1
A9-11	4301-112035	Bolt	M12*35L	1
A10	4301-120055	Bolt	M20*55L	8
A11	3107-1008A	Exhaust Tube Gasket		1
A12	3101-1102B	Position Pin		2
B-Compression Casing				
B1	3161-1141FA	Compression Casing		1
B2-1	3107-1106CD	Oil-Guiding Ring (Male)		1
B2-2	4102-NU2217E	Suction Radial Bearing (Male)		1
B2-3	3107-1104A	Suction Bearing Inner Spacer		1
B2-4	3107-1105A	Suction Bearing Outer Spacer		1
B2-5	4102-NU2217E	Suction Radial Bearing (Male)		1
B2-6	3107-1108A	Suction Bearing Fixed Ring (Male)		1
B2-7	4301-106016	Bolt	M6*16L	6
B3-1	3107-1107C	Oil-Guiding Ring (Female)		1
B3-2	4102-NJ2308E	Suction Radial Bearing (Female)		1
B4-1	4303-112	Washer	M12	1
B4-2	4303-312	Spring Washer	M12	1
B4-3	4301-112020	Bolt	M12*20L	1
B5-1	3107-1158C	Oil Filter Flange		1
B5-2	3107-1148AA	Gasket		1
B5-3	3107-1143D	Oil Filter		1
B5-4	3107-1146A	Oil Filter Flange Inner Gasket		1
B5-5	4301-112040	Bolt	M12*40L	8
B6-1	4304-111A	Connector		1
B6-2	4302-309	Bonnet		1
B6-3	3107-1091A	Nut		1
B7-1	3107-1153B	Plug		1
B7-2	4201-VA122	O-Ring		1
B8-1	4804-17	Sight Glass		1
B8-2	4201-VA024	O-Ring		1
B9-1	4304-114A	Connector		1
B9-2	4302-312	Bonnet		1
B9-3	4302-311	Nut		1
B10-1	3108-1145E	Capillary		1
B10-2	4304-101A	Connector		2
B11-1	3138-1250BA	Economizer Port Flange		1
B11-2	3138-1252B	Shield of Economizer Port Flange		1
B11-3	3138-1151AA	Gasket of Economizer Port Flange		1
B11-4	4301-112040	Bolt	M12*40L	2
B12-1	4304-111A	Connector		1
B12-2	4302-309	Bonnet		1
B12-3	3107-1091A	Nut		1
B13-1	4402-14	Solenoid Valve Coil	220V	2
	4402-15	Solenoid Valve Coil	110V	2
B13-2	4401-38	Solenoid Valve -Step.Gasket (NC)	Standard	1
	4401-39	Solenoid Valve -Stepless(NO)	Optional	1
B13-2-1	4401-38	Solenoid Valve -Step.Gasket (NC)		1

Item	Part NO	Description	Specification	Amount
B13-2-2	3161-1168AA	Orifice		1
B13-3	4301-804012	Bolt	M4*12L	12
B13-3-1	4301-804016	Bolt	M4*20L	4
B13-4	3101-1003BA-A	Solenoid Valve Gasket		5
B13-5	3101-1039C	Cover Plate		2
B14-1	3106-1175A	Supporter for Slide Valve		1
B14-2	4301-110080	Bolt	M10*80L	4
B15-1	3161-1112C	Slide Valve	Vi 2.6	1
	3161-1212C	Slide Valve	Vi 3.5	1
	3161-1412C	Slide Valve	Vi 3.0	1
	3161-1512C	Slide Valve	Vi 2.2	1
B15-2	3107-1114A	Slide Valve Key		1
B15-3	4301-108016	Bolt	M8*16L	1
B16-1	3136-1080BD	Terminal Cover Plate (PTC+PT100/1000)	230A	1
	3139-1080AF	Terminal Cover Plate (PTC+PT100/1000)	400A	1
B16-2	3101-1006BA	Terminal Cover Plate Gasket		1
B16-3	4301-112035	Bolt	M12*35L	1
B17-1	3107-1142DA-A	Oil Level Switch Flange	Standard	1
B17-2	3107-1148AA	Gasket		1
B17-3	3107-116AC	Damper Shield		1
B17-4	3107-1148AA	Gasket		1
B17-5	4405-61	Oil Level Switch		1
B17-6	4201-VP008	O-Ring		1
B17-7	4201-VP021	O-Ring		1
B17-8	3107-1149B	Oil Level Switch Fitting		1
B17-9	4806-27	Cable Connector		1
B17-10	5107-03	PU Hose		1
B17-11	4301-112090	Bolt	M12*90L	8
B17-12	4305-108	Plug		1
B18-1	4304-106A	Angle valve		1
B18-2	4302-303	Bonnet		1
B18-3	4302-301	Nut		1
B19-1	3101-1051CC	Oil Heater	220V,150W	1
	3101-1052CC	Oil Heater	220V,300W	1
	3101-0951CC	Oil Heater	110V,150W	1
	3101-0952CC	Oil Heater	110V,300W	1
B19-2	4806-28	Cable Connector		1
B19-3	5108-09	Plastic Corrugated Tube		1
C-Oil Separator				
C1	3140-1800FB	Oil Separator		1
C2	3105-1001AE	Oil Separator Gasket		1
C3	4301-120060	Bolt	M20*60L	24
C4-1	3188-7400C	Check Valve		1
C4-2	3105-1004AD	Gasket		2
C4-3	4201-NP135	O-Ring		1
C4-4	3108-1015A	Discharge Flange Shield		1
C4-5	3105-1019BC	Flange		1
C4-6	4301-120070	Bolt	M20*70L	4
C4-7	4301-120050	Bolt	M20*50L	4
C5-1	4304-106A	Angle Valve		1
C5-2	4302-303	Bonnet		1
C5-3	4302-301	Nut		1
C6	4305-110	Plug		1
C7	4405-97	Discharge Temperature Sensor		1
D-Motor				
D1	3140-2151DA	Motor Casing (Motor A)		1
	3161-2101DC	Motor Casing (Motor B)		1
D2	4301-116055	Bolt	M16*55L	24
D3	3107-1002AC	Motor Casing Gasket		1
D4	3181-XX64XA-SH	Motor Stator Assembly (Motor A)		1
	3181-XX67XA-SH	Motor Stator Assembly (Motor B)		1
D4-1	3107-2105BB	Copper Sleeve		1
D5-1	3139-2102A	Motor Stator Fixing Plug		1
D5-2	4201-VA122	O-Ring		1
D6-1	3188-8500A	Stop Valve		1
D6-2	3107-1004AC	Gasket		1
D6-3	3107-1016A	Flange Shield		1
D6-4	3107-1018AC	Suction Flange		1
D6-5	4301-116060	Bolt	M16*60L	8
D6-6	3107-1004AC	Gasket		1
D6-7	4301-116050	Bolt	M16*50L	8
D7-1	4304-105A	Connector		1
D7-2	4302-306	Bonnet		1
D7-3	3101-1091A	Nut		1
D8-1	4304-102A	Connector		1
D8-2	4302-303	Bonnet		1
D8-3	4302-301	Nut		1
D9	4304-201A	Charging Valve		1
D10-1	4304-106A	Angle valve		1
D10-2	4302-303	Bonnet		1
D10-3	4302-301	Nut		1
D11-1	3161-1024AC	Suction Filter		1
D11-2	4201-VA361	O-Ring		2
D12-1	3107-1053AB	Suction Filter Flange		1
D12-2	3107-1004AC	Gasket		1
D12-3	4301-116040	Bolt	M16*40L	8

12.24. RC2-1020 Screw Compressor Part List

Item	Part NO	Description	Specification	Amount
A-Bearing Seat				
A1	3163-1131BC	bearing seat assembly		1
A2	3163-1131BB	bearing seat		1
A3	3163-1132AA	male rotor		1
A4	3163-1134AA	radial bearing		1
A5	3163-113DAA	inner spacer (male)		1
A6	4101-7314BUO	outer spacer (male)		1
A7	4302-270	axial bearing		3
A8	3163-1133AA	bearing lock nut		1
A9	4102-NU2312E	female rotor		1
A10	3163-1137AA	radial bearing		1
A11	3163-113AAA	inner spacer (female)		1
A12	4101-7312BUO	outer spacer (female)		1
A13	4302-260	axial bearing		2
A14	4305-105	bearing lock nut		1
B-Compression Casing				
B1	3101-1102B	position pin		2
B2	4301-120055	bolt		8
B3	3162-1141DB	compression casing		1
B4	3131-1168A	plug		1
B5	3163-1114AA	slide valve key		1
B6	4301-108045	bolt		1
B7	4301-108016	bolt		1
B8	4305-108	plug		1
B9	4102-NU2212E	radial bearing		1
B10	3163-1110AA	seal cover		1
B11	4303-248	washer		2
B12	4303-312	spring washer		3
B13	4301-112020	bolt		2
B14	4102-NU2217E	radial bearing		2
B15	3162-1104AA	inner spacer		1
B16	3162-1105AA	outer spacer		1
B17	3163-1108AA	suction bearing fixed ring (male)		1
B18	4301-108025	bolt		4
B19	3163-1109AA	discharge bearing fixed ring (male)		1
B20	4307-DB140	disc spring		1
B21	3163-1111AA	discharge bearing fixed ring (female)		1
B22	4307-DB112	disc spring		1
B23	3163-1103AA	gasket		1
B24	3162-1101AA	discharge cover plate & oil cylinder		1
B25	3163-112EAA	modulation spring shield		1
B26	4303-310	spring washer		3
B27	4301-110030	bolt		9
B28	3163-112FAA	slide valve shield		1
B29	4303-306	spring washer		3
B30	4301-106016	bolt		3
B31	4305-107AA	plug		2
B32	3502-1102A	position pin		2
B33	4301-112035	bolt		10
B34	3163-1115AA	piston rod		1
B35	4201-VP024	O-ring		1
B36	3163-1113AA	modulation spring		1
B37	3105-1116D	piston		1
B38	4201-CA345	O-ring		2
B39	4202-T120	piston ring		2
B40	5112-GM69	guide ring		0.37
B41	3101-1037B	washer		1
B42	4301-112030	bolt		1
B43	3163-112AAA	gasket		1
B44	3163-1122AB	oil cylinder cover plate		1
B45	4201-VA024	O-ring		3
B46	4804-14	sight glass		3
B47	4201-VA122	O-ring		1
B48	3107-1153B	plug		1
B49	4305-911A	plug		2
B50	3107-1146A	plug		1
B51	3107-1148AA	gasket		1
B52	3142-1002BA	gasket		1
B53	4301-116060	bolt		32
B54	3162-1006AA	gasket		1
B55	3162-1001AA	gasket		1
B56	3142-1004AA	gasket		2
B57	3162-1024BA	suction filter		1
B58	3412-1015BA	flange shield		1
B59	3142-1018AC	suction flange		1
B60	4303-120	washer		36
B61	4301-120090	bolt		12
C-Motor				
C1	3162-2101BA	motor casing		1
C2	3181-XX83XB-BT	motor stator assembly – A1		1
	3181-XX84XB-BT	motor stator assembly – A2		1
	3181-XX85XB-BT	motor stator assembly – B1		1
	3181-XX86XB-BT	motor stator assembly – B2		1
C3	4303-116-1	washer		4
C4	4303-316	spring washer		5
C5	4301-116090	bolt		4
C6	4304-201A	connector		1
C7	3162-1023AA	motor rotor key		1

Item	Part NO	Description	Specification	Amount
C8	3181-00831B-BT	motor rotor assembly – A1		1
	3181-00841B-BT	motor rotor assembly – A2		1
	3181-00851B-BT	motor rotor assembly – B1		1
	3181-00861B-BT	motor rotor assembly – B2		1
C9	3105-1017A	motor rotor spacer		1
C10	4301-116045	bolt – A1 、 A2		1
	4301-116065	bolt – B1		1
	4301-116090	bolt – B2		1
D-Oil Separator				
D1	3163-1801AB	oil separator		1
D2	3107-1148AA	gasket		1
D3	3107-1156A	oil level switch flange		1
D4	4305-911A	plug		1
D5	4301-112040	bolt		8
E- Other				
E1	3163-1130AA	bearing seat assembly		1
E2	3162-1140AA	compression casing assembly		1
E3	3162-XX83XB	motor assembly – A1		1
	3162-XX84XB	motor assembly – A2		1
	3162-XX85XB	motor assembly – B1		1
	3162-XX86XB	motor assembly – B2		1
E4	3163-1800AA	oil separator assembly		1
E5	3162-1X12AB	slide valve		1
E6	4305-115	plug		1
E7	3101-1003BA-A	solenoid valve gasket		3
E8	4401-38	solenoid valve-step (NC)		3
E9	4301-804012	bolt		12
E10	4402-14	solenoid valve coil		3
E11	3162-1003AA	solenoid valve gasket		1
E12	3101-1039C	cover plate		1
E13	4301-804012	bolt		4
E14	4304-105A	connector		1
E15	4302-306	bonnet		1
E16	3101-1091AA	nut		1
E17	4304-111A	connector		1
E18	4302-309	bonnet		1
E19	3107-1091AA	nut		1
E20	4304-111A	connector		1
E21	4302-309	bonnet		1
E22	3107-1091AA	nut		1
E23	3107-116AC	damper shield		1
E24	3107-1148AA	gasket		2
E25	3107-1142DA-A	oil level switch flange		1
E26	3107-1149B	oil level switch fitting		1
E27	4201-VP021	O-ring		1
E28	4201-VP008	O-ring		1
E29	4405-61	oil level switch		1
E30	4304-106A	angle valve		1
E31	4302-303	bonnet		1
E32	4302-301	nut		1
E33	4305-911A	plug		1
E34	4301-112075	bolt		8
E35	4305-911A	plug		1
E38	3107-1143F	oil filter		1
E39	3107-1144A	oil filter flange		1
E40	4304-106A	angle valve		1
E41	4302-303	bonnet		1
E42	4302-301	nut		1
E43	4301-112040	bolt		8
E44	3107-1151AC-A	gasket		1
E45	3107-1152A	shield of economizer port flange		1
E46	3163-1150AA	economizer port flange		1
E47	4301-112040	bolt		2
E48	4305-913A	plug		1
E49	4305-913A	plug		1
E50	4405-97	discharge temperature sensor		1
E51	4806-97	cord connector		1
E52	3131-1064AA	oil heater		1
E53	5108-09	Plastic Corrugated Tube		1
E54	3162-1008AA	teflon gasket		1
E55	3163-1815AA	discharge exhaust tube assembly		1
E56	4303-312	spring washer		6
E57	4301-112045	bolt		6
E58	4302-612	nut		6
E59	3163-1807AA	support rod		3
E60	3163-1809AA	demister fixed plate		2
E61	3163-1804AA	demister		2
E62	4302-248	washer		6
E63	3163-1812AA	spacer		3
E64	4301-120065	bolt		32
E65	4305-914A	plug		1
E66	4304-106A	angle valve		1
E67	4302-303	bonnet		1
E68	4302-301	nut		1
E69	3162-1080AC	terminal cover plate		1
E70	4301-112040	bolt		20
E71	4304-106A	angle valve		1
E72	4302-303	bonnet		1
E73	4302-301	nut		1

Item	Part NO	Description	Specification	Amount
E74	3105-1004AD	gasket		2
E75	3188-7400C	check valve assembly		1
E76	4301-120055	bolt		4
E77	4201-NP135	O-ring		1
E78	3108-1015A	flange shield		1
E79	3105-1019BC	flange		1
E80	4301-120070	bolt		4
E81	3103-1042A	washer		4
E82	3162-1014AB	terminal box gasket		1
E83	4301-912020	bolt		3
E84	3101-1044A	earth bolt		1
E85	4303-412	washer		2
E86	4302-412	nut		2
E87	4303-312	spring washer		1
E88	4803-03	terminal		1
E89	3162-1012AA	terminal box		1
E90	3162-1013AA	terminal box cover		1
E91	5209-01	foam		1.64
E92	4405-81	motor protector		1
E93	4301-804025	bolt		2
E94	4303-104	washer		2
E95	4303-304	spring washer		2
E96	4302-104	nut		2
E97	3138-1007A	terminal box gasket		3
E98	3138-1021A	terminal box flange		3
E99	4301-508016	bolt		16
E100	3132-1045BA	bolt		1
E101	4803-71+4806-13-BU	terminal		3
E102	4806-53	cord connector		2
E103	4806-21	plug		2
E104	4806-01	plug		1
E105	4806-01	plug		1
E106	3162-1050AB	gasket kit		1

12.25. RC2-1130 Screw Compressor Part List

Item	Part NO	Description	Specification	Amount
A-Bearing Seat				
A1	3163-1131BC	bearing seat assembly		1
A2	3163-1131BB	bearing seat		1
A3	3163-1132AA	male rotor		1
A4	3163-1134AA	radial bearing		1
A5	3163-113DAA	inner spacer (male)		1
A6	4101-7314BUO	outer spacer (male)		1
A7	4302-270	axial bearing		3
A8	3163-1133AA	bearing lock nut		1
A9	4102-NU2312E	female rotor		1
A10	3163-1137AA	radial bearing		1
A11	3163-113AAA	inner spacer (female)		1
A12	4101-7312BUO	outer spacer (female)		1
A13	4302-260	axial bearing		2
A14	4305-105	bearing lock nut		1
B-Compression Casing				
B1	3101-1102B	position pin		2
B2	4301-120055	bolt		8
B3	3163-1141DB	compression casing		1
B4	3131-1168A	plug		1
B5	3163-1114AA	slide valve key		1
B6	4301-108045	bolt		1
B7	4301-108016	bolt		1
B8	4305-108	plug		1
B9	4102-NU2212E	radial bearing		1
B10	3163-1110AA	seal cover		1
B11	4303-248	washer		2
B12	4303-312	spring washer		3
B13	4301-112020	bolt		2
B14	4102-NU2217E	radial bearing		2
B15	3162-1104AA	inner spacer		1
B16	3162-1105AA	outer spacer		1
B17	3163-1108AA	suction bearing fixed ring (male)		1
B18	4301-108025	bolt		4
B19	3163-1109AA	discharge bearing fixed ring (male)		1
B20	4307-DB140	disc spring		1
B21	3163-1111AA	discharge bearing fixed ring (female)		1
B22	4307-DB112	disc spring		1
B23	3163-1103AA	gasket		1
B24	3162-1101AA	discharge cover plate & oil cylinder		1
B25	3163-112EAA	modulation spring shield		1
B26	4303-310	spring washer		3
B27	4301-110030	bolt		9
B28	3163-112FAA	slide valve shield		1
B29	4303-306	spring washer		3
B30	4301-106016	bolt		3
B31	4305-107AA	plug		2
B32	3502-1102A	position pin		2
B33	4301-112035	bolt		10
B34	3163-1115AA	piston rod		1
B35	4201-VP024	O-ring		1
B36	3163-1113AA	modulation spring		1
B37	3105-1116D	piston		1
B38	4201-CA345	O-ring		2
B39	4202-T120	piston ring		2
B40	5112-GM69	guide ring		0.37
B41	3101-1037B	washer		1
B42	4301-112030	bolt		1
B43	3163-112AAA	gasket		1
B44	3163-1122AB	oil cylinder cover plate		1
B45	4201-VA024	O-ring		3
B46	4804-14	sight glass		3
B47	4201-VA122	O-ring		1
B48	3107-1153B	plug		1
B49	4305-911A	plug		2
B50	3107-1146A	plug		1
B51	3107-1148AA	gasket		1
B52	3142-1002BA	gasket		1
B53	4301-116060	bolt		32
B54	3162-1006AA	gasket		1
B55	3162-1001AA	gasket		1
B56	3142-1004AA	gasket		2
B57	3162-1024BA	suction filter		1
B58	3412-1015BA	flange shield		1
B59	3142-1018AC	suction flange		1
B60	4303-120	washer		36
B61	4301-120090	bolt		12
C-Motor				
C1	3162-2101BA	motor casing		1
C2	3181-XX83XB-BT	motor stator assembly – A1		1
	3181-XX84XB-BT	motor stator assembly – A2		1
	3181-XX85XB-BT	motor stator assembly – B1		1
	3181-XX86XB-BT	motor stator assembly – B2		1
C3	4303-116-1	washer		4
C4	4303-316	spring washer		5
C5	4301-116090	bolt		4
C6	4304-201A	connector		1
C7	3162-1023AA	motor rotor key		1

Item	Part NO	Description	Specification	Amount
C8	3181-00831B-BT	motor rotor assembly – A1		1
	3181-00841B-BT	motor rotor assembly – A2		1
	3181-00851B-BT	motor rotor assembly – B1		1
	3181-00861B-BT	motor rotor assembly – B2		1
C9	3105-1017A	motor rotor spacer		1
C10	4301-116045	bolt – A1 · A2		1
	4301-116065	bolt – B1		1
	4301-116090	bolt – B2		1
D-Oil Separator				
D1	3163-1801AB	oil separator		1
D2	3107-1148AA	gasket		1
D3	3107-1156A	oil level switch flange		1
D4	4305-911A	plug		1
D5	4301-112040	bolt		8
E- Other				
E1	3163-1130AA	bearing seat assembly		1
E2	3163-1140AA	compression casing assembly		1
E3	3162-XX83XB	motor assembly – A1		1
	3162-XX84XB	motor assembly – A2		1
	3162-XX85XB	motor assembly – B1		1
	3162-XX86XB	motor assembly – B2		1
E4	3163-1800AA	oil separator assembly		1
E5	3163-1X12AB	slide valve		1
E6	4305-115	plug		1
E7	3101-1003BA-A	solenoid valve gasket		3
E8	4401-38	solenoid valve-step (NC)		3
E9	4301-804012	bolt		12
E10	4402-14	solenoid valve coil		3
E11	3162-1003AA	solenoid valve gasket		1
E12	3101-1039C	cover plate		1
E13	4301-804012	bolt		4
E14	4304-105A	connector		1
E15	4302-306	bonnet		1
E16	3101-1091AA	nut		1
E17	4304-111A	connector		1
E18	4302-309	bonnet		1
E19	3107-1091AA	nut		1
E20	4304-111A	connector		1
E21	4302-309	bonnet		1
E22	3107-1091AA	nut		1
E23	3107-116AC	damper shield		1
E24	3107-1148AA	gasket		2
E25	3107-1142DA-A	oil level switch flange		1
E26	3107-1149B	oil level switch fitting		1
E27	4201-VP021	O-ring		1
E28	4201-VP008	O-ring		1
E29	4405-61	oil level switch		1
E30	4304-106A	angle valve		1
E31	4302-303	bonnet		1
E32	4302-301	nut		1
E33	4305-911A	plug		1
E34	4301-112075	bolt		8
E35	4305-911A	plug		1
E38	3107-1143F	oil filter		1
E39	3107-1144A	oil filter flange		1
E40	4304-106A	angle valve		1
E41	4302-303	bonnet		1
E42	4302-301	nut		1
E43	4301-112040	bolt		8
E44	3107-1151AC-A	gasket		1
E45	3107-1152A	shield of economizer port flange		1
E46	3163-1150AA	economizer port flange		1
E47	4301-112040	bolt		2
E48	4305-913A	plug		1
E49	4305-913A	plug		1
E50	4405-97	discharge temperature sensor		1
E51	4806-97	cord connector		1
E52	3131-1064AA	oil heater		1
E53	5108-09	Plastic Corrugated Tube		1
E54	3162-1008AA	teflon gasket		1
E55	3163-1815AA	discharge exhaust tube assembly		1
E56	4303-312	spring washer		6
E57	4301-112045	bolt		6
E58	4302-612	nut		6
E59	3163-1807AA	support rod		3
E60	3163-1809AA	demister fixed plate		2
E61	3163-1804AA	demister		2
E62	4302-248	washer		6
E63	3163-1812AA	spacer		3
E64	4301-120065	bolt		32
E65	4305-914A	plug		1
E66	4304-106A	angle valve		1
E67	4302-303	bonnet		1
E68	4302-301	nut		1
E69	3162-1080AC	terminal cover plate		1
E70	4301-112040	bolt		20
E71	4304-106A	angle valve		1
E72	4302-303	bonnet		1
E73	4302-301	nut		1

Item	Part NO	Description	Specification	Amount
E74	3105-1004AD	gasket		2
E75	3188-7400C	check valve assembly		1
E76	4301-120055	bolt		4
E77	4201-NP135	O-ring		1
E78	3108-1015A	flange shield		1
E79	3105-1019BC	flange		1
E80	4301-120070	bolt		4
E81	3103-1042A	washer		4
E82	3162-1014AB	terminal box gasket		1
E83	4301-912020	bolt		3
E84	3101-1044A	earth bolt		1
E85	4303-412	washer		2
E86	4302-412	nut		2
E87	4303-312	spring washer		1
E88	4803-03	terminal		1
E89	3162-1012AA	terminal box		1
E90	3162-1013AA	terminal box cover		1
E91	5209-01	foam		1.64
E92	4405-81	motor protector		1
E93	4301-804025	bolt		2
E94	4303-104	washer		2
E95	4303-304	spring washer		2
E96	4302-104	nut		2
E97	3138-1007A	terminal box gasket		3
E98	3138-1021A	terminal box flange		3
E99	4301-508016	bolt		16
E100	3132-1045BA	bolt		1
E101	4803-71+4806-13-BU	terminal		3
E102	4806-53	cord connector		2
E103	4806-21	plug		2
E104	4806-01	plug		1
E105	4806-01	plug		1
E106	3162-1050AB	gasket kit		1

12.26. RC2-1270 Screw Compressor Part List

Item	Part NO	Description	Specification	Amount
A-Bearing Seat				
A1	3166-1131AA	bearing seat		1
A2	3166-1132AA	male rotor		1
A3	4102-NU316E	radial bearing		1
A4	3166-1134AA	inner spacer (male)		1
A5	3166-113DAA	outer spacer (male)		1
A6	4101-7316BUO	axial bearing		3
A7	4302-280	bearing lock nut		1
A8	3166-1133AA	female rotor		1
A9	4102-NU2314E	radial bearing		1
A10	3163-1134AA	inner spacer (female)		1
A11	3163-113DAA	outer spacer (female)		1
A12	4101-7314BUO	axial bearing		2
A13	4302-270	bearing lock nut		1
A14	4305-105	plug		2
B-Compression Casing				
B1	3101-1102B	position pin		2
B2	4301-120055	bolt		10
B3	3166-1141CB	compression casing		1
B4	3131-1168A	plug		1
B5	3166-1114AA	slide valve key		1
B6	4301-108045	bolt		1
B7	4301-110030	bolt		8
B8	4201-VG105	O-ring		1
B9	4102-NU2310E	radial bearing		1
B10	3166-1110AA	seal cover		1
B11	4303-248	washer		2
B12	4303-312	spring washer		3
B13	4301-112020	bolt		2
B14	4102-NU2218E	radial bearing		2
B15	3166-1104AA	inner spacer		1
B16	3166-1105AA	outer spacer		1
B17	3166-1108AA	suction bearing fixed ring (male)		1
B18	4301-108025	bolt		6
B19	3166-1109AA	discharge bearing fixed ring (male)		1
B20	4307-DB160	disc spring		1
B21	3166-1111AA	discharge bearing fixed ring (female)		1
B22	4307-DB140	disc spring		1
B23	3166-1103AA	gasket		1
B24	3166-1101AA	discharge cover plate		1
B25	3166-112EAA	modulation spring shield		1
B26	4303-310	spring washer		4
B27	4301-110025	bolt		8
B28	3166-112BAA	gasket		1
B29	3166-1121AA	oil cylinder		1
B31	4305-107A	plug		5
B32	3502-1102A	position pin		2
B33	4301-112050	bolt		5
B34	3166-1115AA	piston rod		1
B35	4201-VP036	O-ring		1
B36	3166-1113AA	modulation spring		1
B37	3166-1116AA	piston		1
B38	4201-CA349	O-ring		1
B39	4202-T130	piston ring		1
B40	5112-GM69	guide ring		0.8
B41	3101-1037B	washer		1
B42	4301-112035	bolt		1
B43	3166-112AAA	gasket		1
B44	3166-1122AA	oil cylinder cover plate		1
B45	4201-VA024	O-ring		1
B46	4804-17	sight glass		1
B47	4201-VA122	O-ring		1
B48	3107-1153B	plug		1
B49	4305-911A	plug		2
B50	3107-1146A	oil filter flange inner gasket		1
B51	3107-1148AA	oil filter flange outer gasket		1
B52	3166-1002AA	gasket		1
B53	4301-116060	bolt		36
B54	3162-1006AA	gasket		1
B55	3166-1001AA	gasket		1
B56	3143-1004AA	gasket		2
B57	3166-1024BA	suction filter		1
B60	4805-01	magnet		2
B61	4301-430000	lift bolt		2
B62	4301-106016	bolt		2
B63	4303-306	spring washer		2
B64	4301-112035	bolt		14
B65	4301-112065	bolt		3
C-Motor				
C1	3166-2101AA	motor casing– A1 · A2 · B1		1
	3167-2101AA	motor casing– B2		1
C2	3181-XX84XB-BT	motor stator assembly – A1		1
	3181-XX85XB-BT	motor stator assembly – A2		1
	3181-XX86XB-BT	motor stator assembly – B1		1
	3181-XX91XB-BT	motor stator assembly – B2		1
C3	3166-2104AA	motor stator guide vane– A1 · A2 · B1		1
	3167-2104BA	motor stator guide vane–B2		1

Item	Part NO	Description	Specification	Amount
C4	4303-316	spring washer		5
C5	4301-116130	bolt		4
C6	4304-201	connector		1
C7	3162-1023AA	motor rotor key-A1		1
	3108-1023B	motor rotor key-A2 · B1 · B2		1
C8	3181-00841B-BT	motor rotor assembly – A1		1
	3181-00851B-BT	motor rotor assembly – A2		1
	3181-00861B-BT	motor rotor assembly – B1		1
	3181-00911B-BT	motor rotor assembly – B2		1
C9	3166-1017AA	motor rotor washer-A1		1
	3105-1017A	motor rotor washer-A2 · B2		1
	3139-1017A	motor rotor washer-B1		1
C10	4301-116045	bolt – A1 · A2		1
	4301-116065	bolt – B1 · B2		1
C11	3166-2106AA	spacer		4
C12	3107-1034A	spacer-B1		1
	3101-103LA	spacer-B2		1
E- Other				
E1	3166-1130AA	bearing seat assembly		1
E2	3166-1140BA	compression casing assembly		1
E3	3162-XX84XBA	motor assembly – A1		1
	3162-XX85XBA	motor assembly – A2		1
	3162-XX86XBA	motor assembly – B1		1
	3162-XX91XBA	motor assembly – B2		1
E4	3166-1800AA	oil separator assembly		1
E5	3166-1112AA	slide valve	Vi 2.6	1
	3166-1412AA	slide valve	Vi 3.0	1
	3166-1212AA	slide valve	Vi 3.5	1
	3166-1512AA	slide valve	Vi 2.2	1
E6	4305-115	plug		1
E7	3101-1003BA-A	solenoid valve gasket		3
E8	4401-38	solenoid valve-step (NC)		3
E9	4301-804012	bolt		12
E10	4402-14	solenoid valve coil		3
E11	3142-1003CA-A	solenoid valve gasket		1
E12	3101-1039C	cover plate		1
E13	4301-804012	bolt		4
E14	3101-1092A	connector		1
E15	4302-306	bonnet		1
E16	3101-1091AA	nut		1
E17	3107-1092A	connector		1
E18	4302-309	bonnet		1
E19	3107-1091AA	nut		1
E20	4305-919A	plug		1
E23	3107-1148AA	gasket		2
E24	3107-116AC	damper shield		1
E25	3107-1142DA	oil level switch flange		1
E26	3107-1149B	oil level switch fitting		1
E27	4201-VP008	O-ring		1
E28	4405-61	oil level switch		1
E29	4201-VP021	O-ring		1
E30	4304-106	angle valve		1
E31	4302-303	bonnet		1
E32	3132-1091AA	nut		1
E33	3107-1169A	stop pin		1
E34	4301-112075	bolt		8
E38	3107-1143F	oil filter		1
E39	3107-1144A	oil filter flange		1
E40	4304-106	angle valve		1
E41	4302-303	bonnet		1
E42	3132-1091AA	nut		1
E43	4301-112040	bolt		8
E44	3101-1005AD	gasket		1
E45	3144-1252A	shield of economizer port flange		1
E46	3101-1019BC	economizer port flange		1
E47	4301-116055	bolt		2
E48	4305-913A	plug		1
E49	4304-109	angle valve		1
E50	4405-97	discharge temperature sensor		1
E51	3131-1064AA	oil heater		1
E52	4806-97	connector		1
E53	5108-09	plastic corrugated tube		1
E54	3166-1008AA	teflon gasket		1
E55	3166-1815AA	discharge exhaust tube assembly		1
E56	4303-312	spring washer		5
E57	4301-112060	bolt		6
E58	4302-612	nut		2
E59	3166-1807AA	support rod		2
E60	3166-1809AA	demister fixed plate		2
E61	3166-1804AA	demister		2
E62	4303-248	washer		7
E63	4301-212110	bolt		3
E64	4301-120070	bolt		32
E65	4305-914A	plug		1
E66	4304-106	angle valve		1
E67	4302-303	bonnet		1
E68	3132-1091AA	nut		1
E69	3166-1080AA	terminal cover plate		1
E70	4301-112040	bolt		20

Item	Part NO	Description	Specification	Amount
E71	4304-106	angle valve		1
E72	4302-303	bonnet		1
E73	3132-1091AA	nut		1
E74	3142-1005AA	gasket		2
E75	3188-6500BB	check valve assembly		1
E76	4301-120060	bolt		8
E78	3141-1015A	flange shield		1
E79	3142-1020A	flange		1
E80	3103-1042A	washer		16
E81	3142-1018AC	flange		1
E82	3162-1014AB	terminal box gasket		1
E83	4301-912020	bolt		3
E84	3101-1044A	earth bolt		1
E85	4302-412	nut		2
E86	4303-412	washer		2
E87	4803-03	terminal		1
E88	4303-312	spring washer		1
E89	3162-1012AA	terminal box		1
E90	3162-1013AA	terminal box cover		1
E91	5209-01	foam		1.64
E92	4405-81	motor protector		1
E93	4301-804025	bolt		2
E94	4303-104	washer		2
E95	4303-304	spring washer		2
E96	4302-104	nut		2
E97	3138-1007A	terminal box gasket		3
E98	3138-1021A	terminal box flange		3
E99	4301-508016	bolt		16
E100	3132-094BAB	terminal wire		4
E101	4803-71	terminal		4
E102	4806-13-BU	cord connector		4
E103	4806-53	connector		2
E104	4806-21	plug		2
E105	4806-01	plug		1
E106	4806-01	plug		1
E107	3162-1050AB	Gasket kit		1
E108	4201-VA024	O-ring		1
E109	4804-17	sight glass		1
E110	3143-1015B	flange shield		1
E111	3143-1018AB	suction flange		1
E112	3103-1042A	washer		24
E113	4301-120080	bolt		12
E117	4301-112030	bolt		2

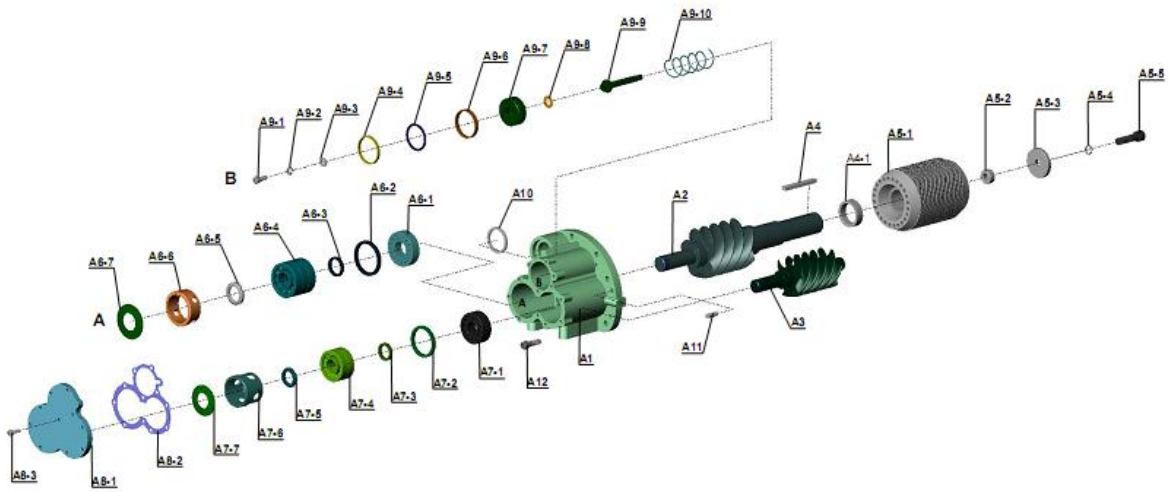
12.27. RC2-1530 Screw Compressor Part List

Item	Part NO	Description	Specification	Amount
A-Bearing Seat				
A1	3166-1131AA	bearing seat		1
A2	3166-1132AA	male rotor		1
A3	4102-NU316E	radial bearing		1
A4	3166-1134AA	inner spacer (male)		1
A5	3166-113DAA	outer spacer (male)		1
A6	4101-7316BUO	axial bearing		3
A7	4302-280	bearing lock nut		1
A8	3166-1133AA	female rotor		1
A9	4102-NU2314E	radial bearing		1
A10	3163-1134AA	inner spacer (female)		1
A11	3163-113DAA	outer spacer (female)		1
A12	4101-7314BUO	axial bearing		2
A13	4302-270	bearing lock nut		1
A14	4305-105	plug		2
B-Compression Casing				
B1	3101-1102B	position pin		2
B2	4301-120055	bolt		10
B3	3167-1141CB	compression casing		1
B4	3162-1168AA	plug		1
B5	3166-1114AA	slide valve key		1
B6	4301-108045	bolt		1
B7	4301-110030	bolt		8
B8	4201-VG105	O-ring		1
B9	4102-NU2310E	radial bearing		1
B10	3166-1110AA	seal cover		1
B11	4303-248	washer		2
B12	4303-312	spring washer		3
B13	4301-112020	bolt		2
B14	4102-NU2218E	radial bearing		2
B15	3166-1104AA	inner spacer		1
B16	3166-1105AA	outer spacer		1
B17	3166-1108AA	suction bearing fixed ring (male)		1
B18	4301-108025	bolt		6
B19	3166-1109AA	discharge bearing fixed ring (male)		1
B20	4307-DB160	disc spring		1
B21	3166-1111AA	discharge bearing fixed ring (female)		1
B22	4307-DB140	disc spring		1
B23	3166-1103AA	gasket		1
B24	3166-1101AA	discharge cover plate		1
B25	3166-112EAA	modulation spring shield		1
B26	4303-310	spring washer		4
B27	4301-110025	bolt		8
B28	3166-112BAA	gasket		1
B29	3166-1121AA	oil cylinder		1
B31	4305-107A	plug		5
B32	3502-1102A	position pin		2
B33	4301-112050	bolt		5
B34	3166-1115AA	piston rod		1
B35	4201-VP036	O-ring		1
B36	3166-1113AA	modulation spring		1
B37	3166-1116AA	piston		1
B38	4201-CA349	O-ring		1
B39	4202-T130	piston ring		1
B40	5112-GM69	guide ring		0.8
B41	3101-1037B	washer		1
B42	4301-112035	bolt		1
B43	3166-112AAA	gasket		1
B44	3166-1122AA	oil cylinder cover plate		1
B45	4201-VA024	O-ring		1
B46	4804-17	sight glass		1
B47	4201-VA122	O-ring		1
B48	3107-1153B	plug		1
B49	4305-911A	plug		2
B50	3107-1146A	oil filter flange inner gasket		1
B51	3107-1148AA	oil filter flange outer gasket		1
B52	3166-1002AA	gasket		1
B53	4301-116060	bolt		36
B54	3162-1006AA	gasket		1
B55	3166-1001AA	gasket		1
B56	3143-1004AA	gasket		2
B57	3166-1024BA	suction filter		1
B60	4805-01	magnet		2
B61	4301-430000	lift bolt		2
B62	4301-106016	bolt		2
B63	4303-306	spring washer		2
B64	4301-112035	bolt		14
B65	4301-112065	bolt		3
C-Motor				
C1	3166-2101AA	motor casing– A1 、 A2 、 B1		1
	3167-2101AA	motor casing– B2		
C2	3181-XX84XB-BT	motor stator assembly – A1		1
	3181-XX85XB-BT	motor stator assembly – A2		1
	3181-XX86XB-BT	motor stator assembly – B1		1
	3181-XX93XB-BT	motor stator assembly – B2		1
C3	3166-2104AA	motor stator guide vane– A1 、 A2 、 B1		1
	3167-2104BA	motor stator guide vane–B2		1

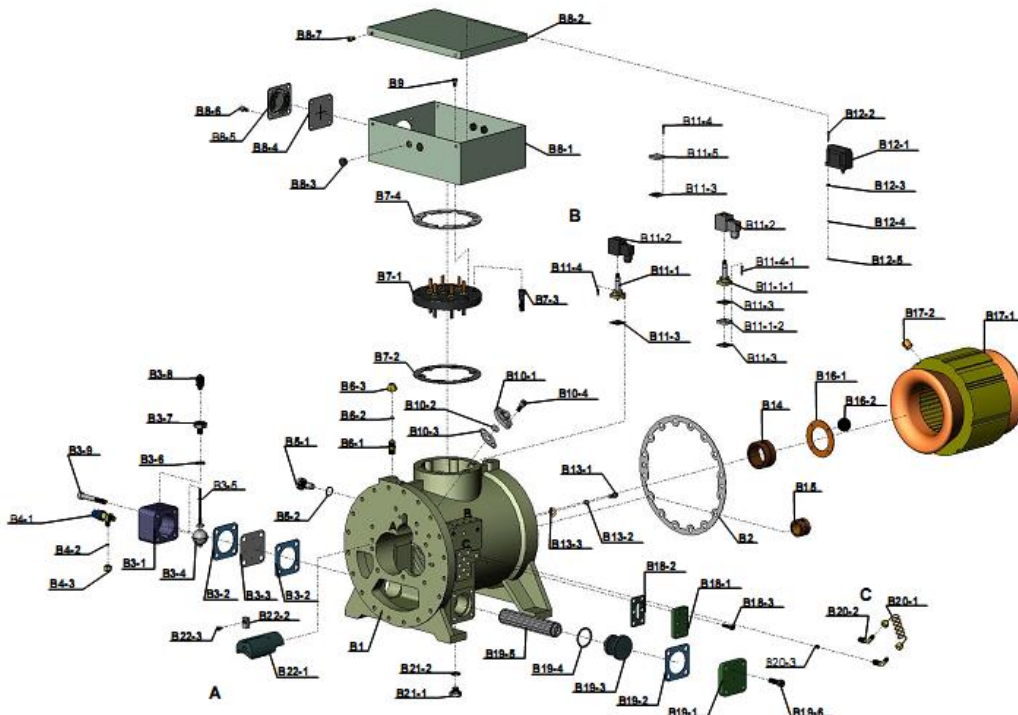
Item	Part NO	Description	Specification	Amount
C4	4303-316	spring washer		5
C5	4301-116130	bolt		4
C6	4304-201	connector		1
C7	3162-1023AA	motor rotor key-A1		1
	3108-1023B	motor rotor key-A2、B1、B2		1
C8	3181-00841B-BT	motor rotor assembly – A1		1
	3181-00851B-BT	motor rotor assembly – A2		1
	3181-00861B-BT	motor rotor assembly – B1		1
	3181-0093AB-BT	motor rotor assembly – B2		1
C9	3166-1017AA	motor rotor washer-A1		1
	3105-1017A	motor rotor washer-A2、B2		1
	3139-1017A	motor rotor washer-B1		1
C10	4301-116045	bolt – A1、A2		1
	4301-116065	bolt – B1		1
	4301-116090	bolt – B2		1
C11	3166-2106AA	spacer		4
C12	3107-1034A	spacer-B1		1
	3101-1036B	spacer-B2		1
E- Other				
E1	3166-1130AA	bearing seat assembly		1
E2	3167-1140BA	compression casing assembly		1
	3162-XX84XBA	motor assembly – A1		1
E3	3162-XX85XBA	motor assembly – A2		1
	3162-XX86XBA	motor assembly – B1		1
	3162-XX93XBA	motor assembly – B2		1
E4	3166-1800AA	oil separator assembly		1
E5	3167-1112AA	slide valve	Vi 2.6	1
	3167-1412AA	slide valve	Vi 3.0	1
	3167-1212AA	slide valve	Vi 3.5	1
	3167-1512AA	slide valve	Vi 2.2	1
E6	4305-115	plug		1
E7	3101-1003BA-A	solenoid valve gasket		3
E8	4401-38	solenoid valve-step (NC)		3
E9	4301-804012	bolt		12
E10	4402-14	solenoid valve coil		3
E11	3142-1003CA-A	solenoid valve gasket		1
E12	3101-1039C	cover plate		1
E13	4301-804012	bolt		4
E14	3101-1092A	connector		1
E15	4302-306	bonnet		1
E16	3101-1091AA	nut		1
E17	3107-1092A	connector		1
E18	4302-309	bonnet		1
E19	3107-1091AA	nut		1
E20	4305-919A	plug		1
E23	3107-1148AA	gasket		2
E24	3107-116AC	damper shield		1
E25	3107-1142DA	oil level switch flange		1
E26	3107-1149B	oil level switch fitting		1
E27	4201-VP008	O-ring		1
E28	4405-61	oil level switch		1
E29	4201-VP021	O-ring		1
E30	4304-106	angle valve		1
E31	4302-303	bonnet		1
E32	3132-1091AA	nut		1
E33	3107-1169A	stop pin		1
E34	4301-112075	bolt		8
E38	3107-1143F	oil filter		1
E39	3107-1144A	oil filter flange		1
E40	4304-106	angle valve		1
E41	4302-303	bonnet		1
E42	3132-1091AA	nut		1
E43	4301-112040	bolt		8
E44	3101-1005AD	gasket		1
E45	3144-1252A	shield of economizer port flange		1
E46	3101-1019BC	economizer port flange		1
E47	4301-116055	bolt		2
E48	4305-913A	plug		1
E49	4304-109	angle valve		1
E50	4405-97	discharge temperature sensor		1
E51	3131-1064AA	oil heater		1
E52	4806-97	connector		1
E53	5108-09	plastic corrugated tube		1
E54	3166-1008AA	teflon gasket		1
E55	3166-1815AA	discharge exhaust tube assembly		1
E56	4303-312	spring washer		5
E57	4301-112060	bolt		6
E58	4302-612	nut		2
E59	3166-1807AA	support rod		2
E60	3166-1809AA	demister fixed plate		2
E61	3166-1804AA	demister		2
E62	4303-248	washer		7
E63	4301-212110	bolt		3
E64	4301-120070	bolt		32
E65	4305-914A	plug		1
E66	4304-106	angle valve		1
E67	4302-303	bonnet		1
E68	3132-1091AA	nut		1
E69	3166-1080AA	terminal cover plate		1

Item	Part NO	Description	Specification	Amount
E70	4301-112040	bolt		20
E71	4304-106	angle valve		1
E72	4302-303	bonnet		1
E73	3132-1091AA	nut		1
E74	3142-1005AA	gasket		2
E75	3188-6500BB	check valve assembly		1
E76	4301-120060	bolt		8
E78	3141-1015A	flange shield		1
E79	3142-1020A	flange		1
E80	3103-1042A	washer		16
E81	3142-1018AC	flange		1
E82	3162-1014AB	terminal box gasket		1
E83	4301-912020	bolt		3
E84	3101-1044A	earth bolt		1
E85	4302-412	nut		2
E86	4303-412	washer		2
E87	4803-03	terminal		1
E88	4303-312	spring washer		1
E89	3162-1012AA	terminal box		1
E90	3162-1013AA	terminal box cover		1
E91	5209-01	foam		1.64
E92	4405-81	motor protector		1
E93	4301-804025	bolt		2
E94	4303-104	washer		2
E95	4303-304	spring washer		2
E96	4302-104	nut		2
E97	3138-1007A	terminal box gasket		3
E98	3138-1021A	terminal box flange		3
E99	4301-508016	bolt		16
E100	3132-094BAB	terminal wire		4
E101	4803-71	terminal		4
E102	4806-13-BU	cord connector		4
E103	4806-53	connector		2
E104	4806-21	plug		2
E105	4806-01	plug		1
E106	4806-01	plug		1
E107	3162-1050AB	Gasket kit		1
E108	4201-VA024	O-ring		1
E109	4804-17	sight glass		1
E110	3143-1015B	flange shield		1
E111	3143-1018AB	suction flange		1
E112	3103-1042A	washer		24
E113	4301-120080	bolt		12
E117	4301-112030	bolt		2

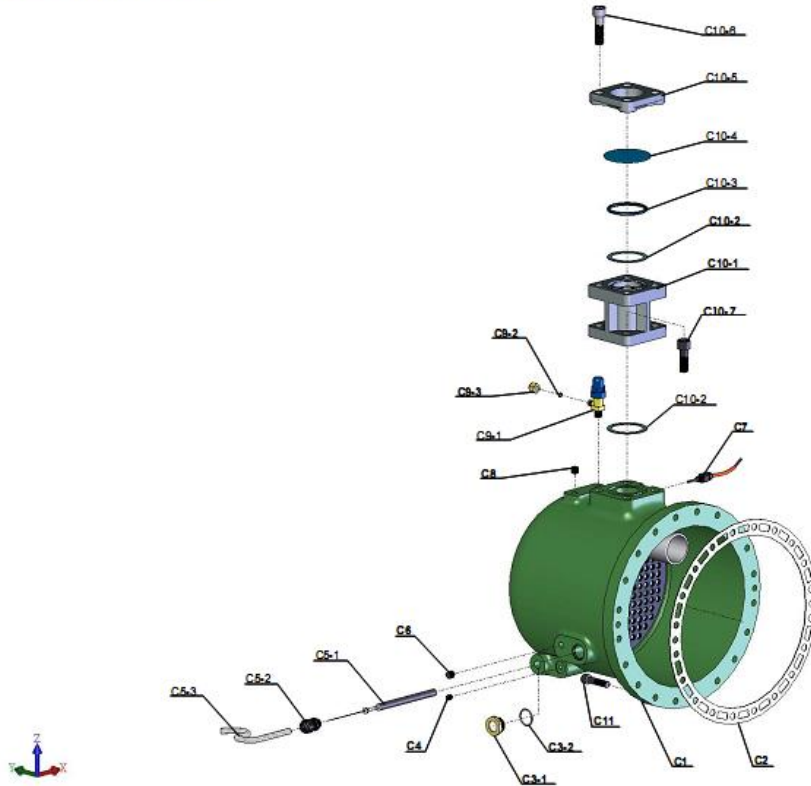
12.28. RC2 COMPRESSOR EXPLOSION DRAWING



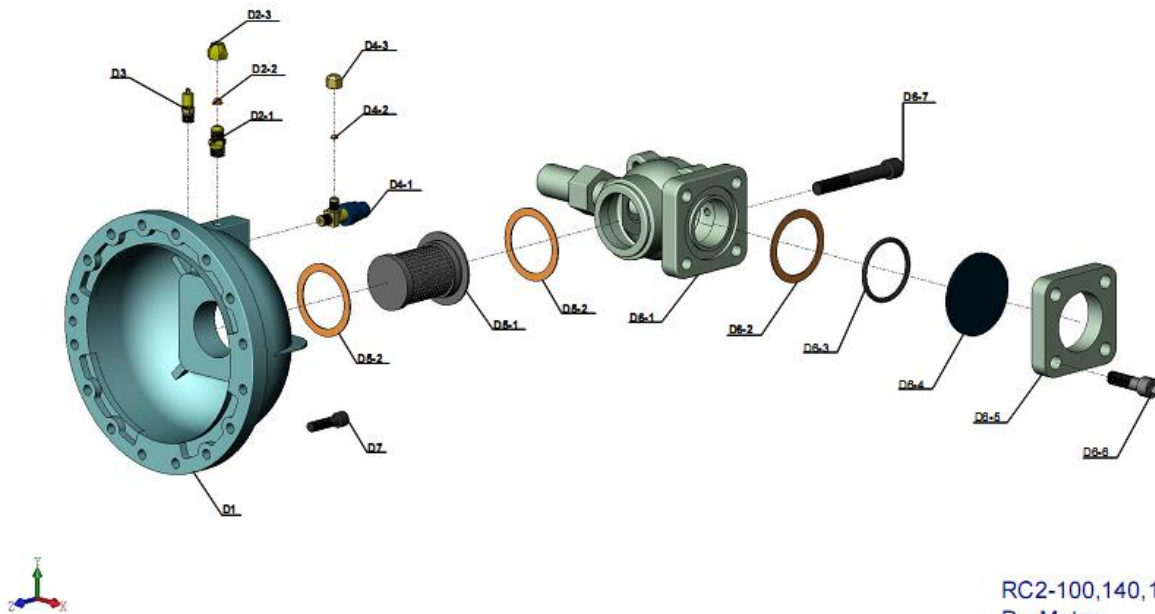
RC2-100,140,180
A - Rotor & Bearing Seat



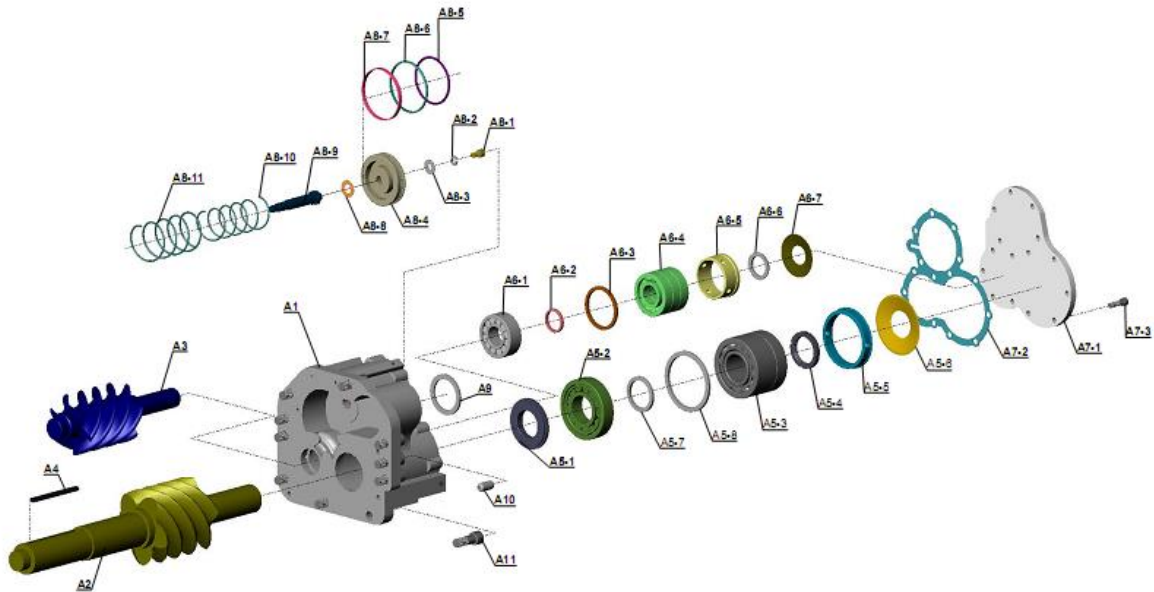
RC2-100,140,180
B - Compression Casing



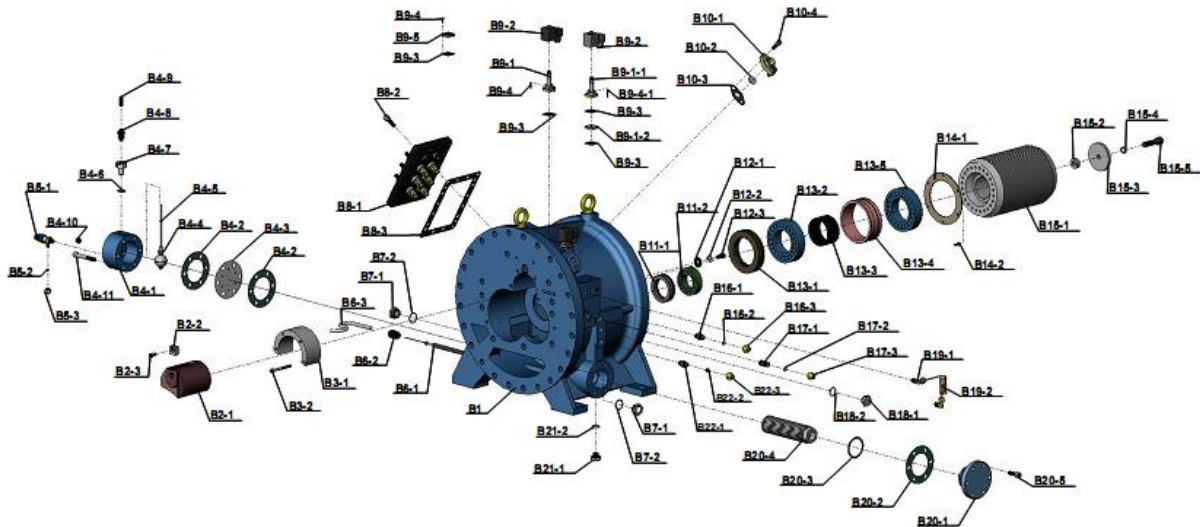
RC2-100,140,180
C - Oil Separator



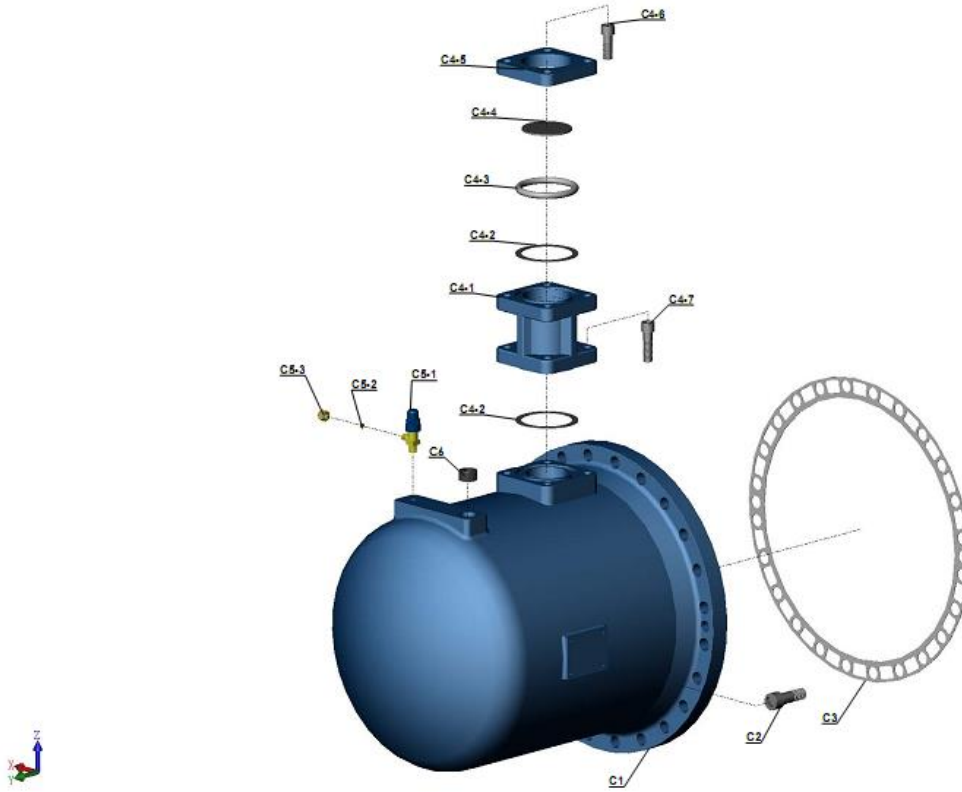
RC2-100,140,180
D - Motor



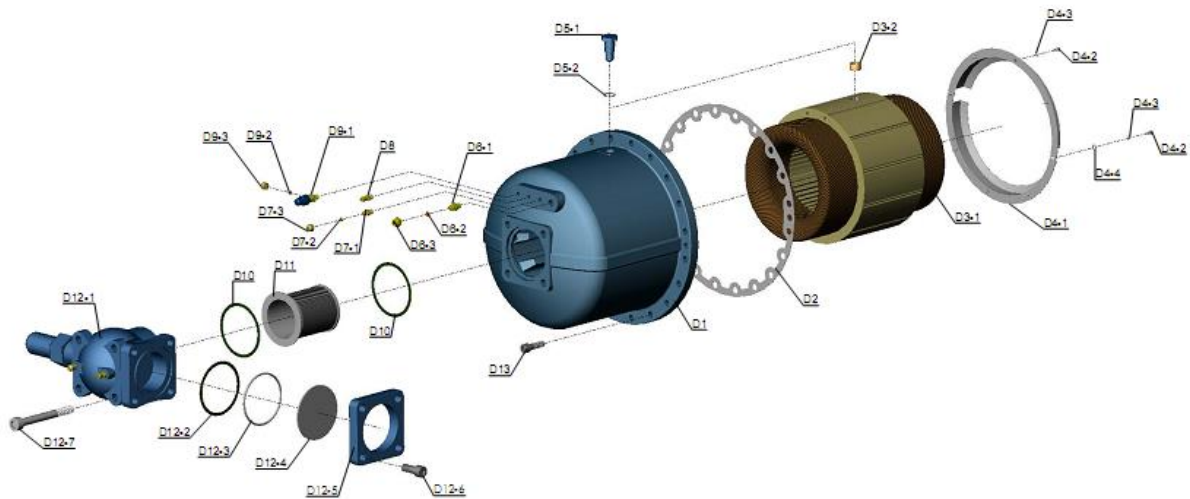
RC2-170~620
Except 180&610
A - Rotor & Bearing Seat



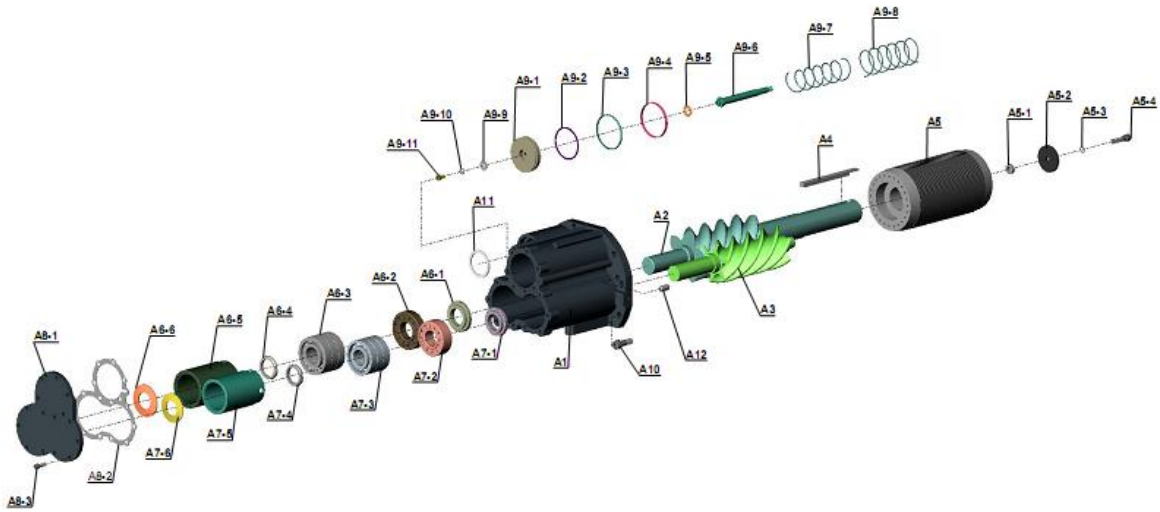
RC2-170~620
Except 180&610
B - Compression Casing



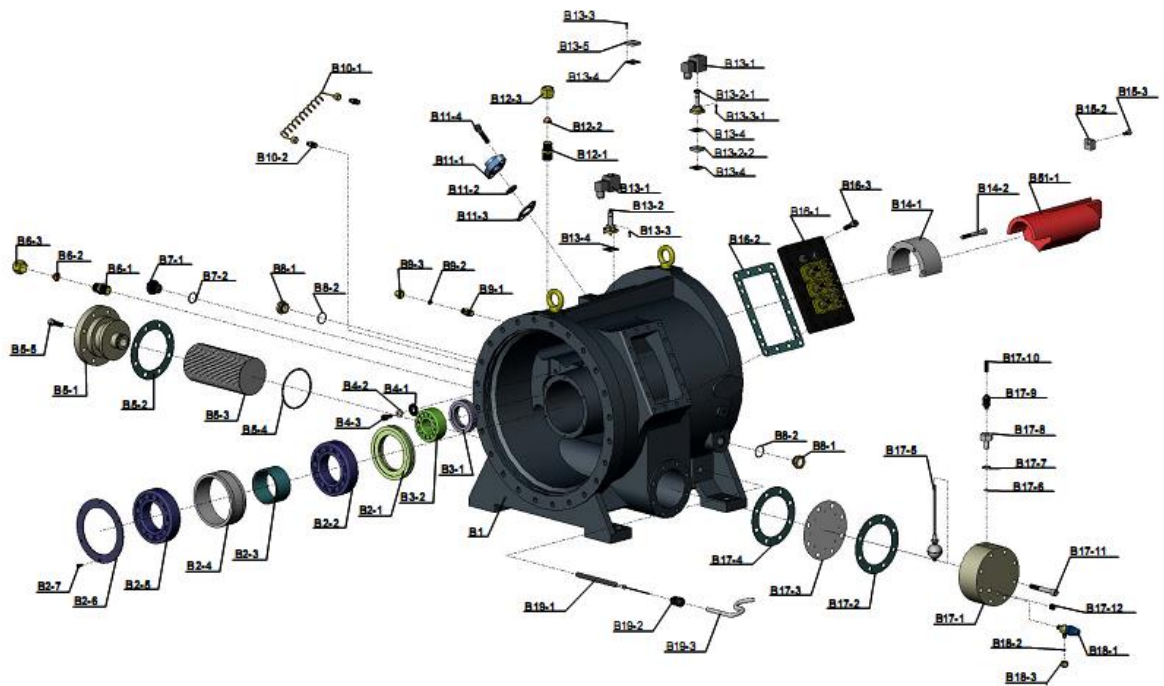
RC2-170~620
Except 180&610
C - Oil Separator



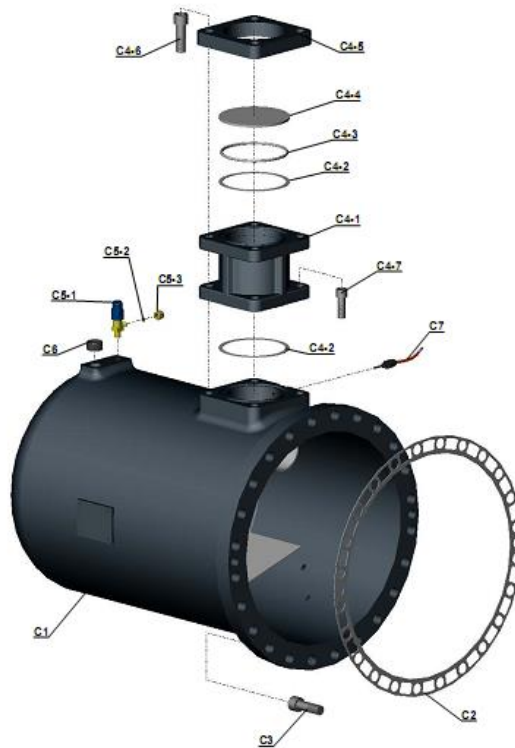
RC2-170~620
Except 180&610
D - Motor



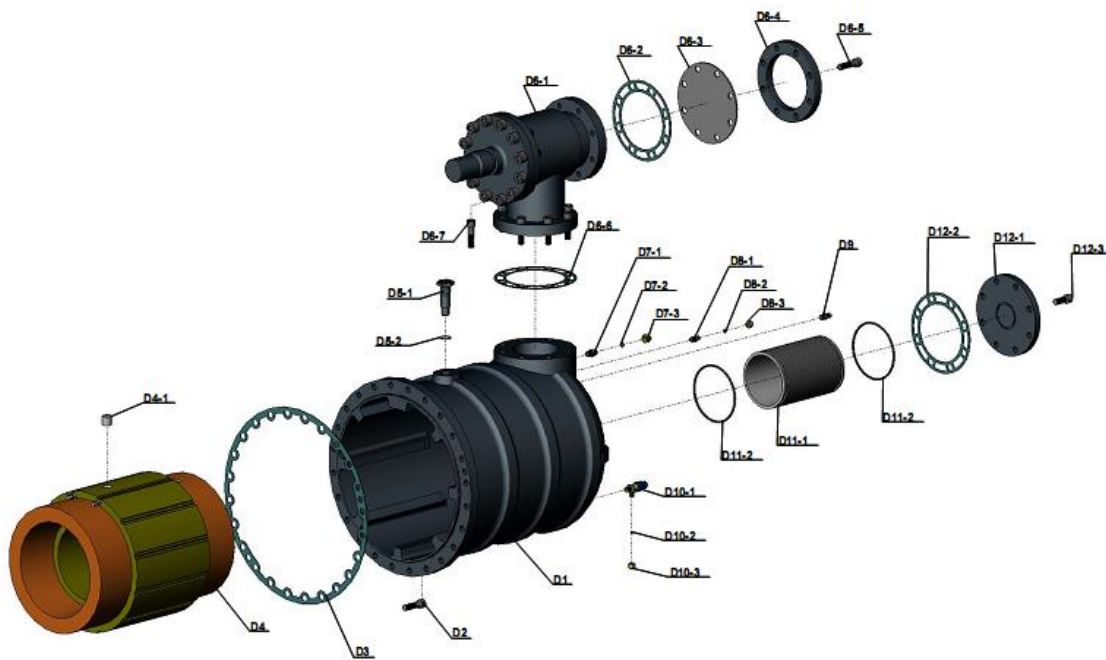
RC2-610,710~930
A - Rotor & Bearing Seat



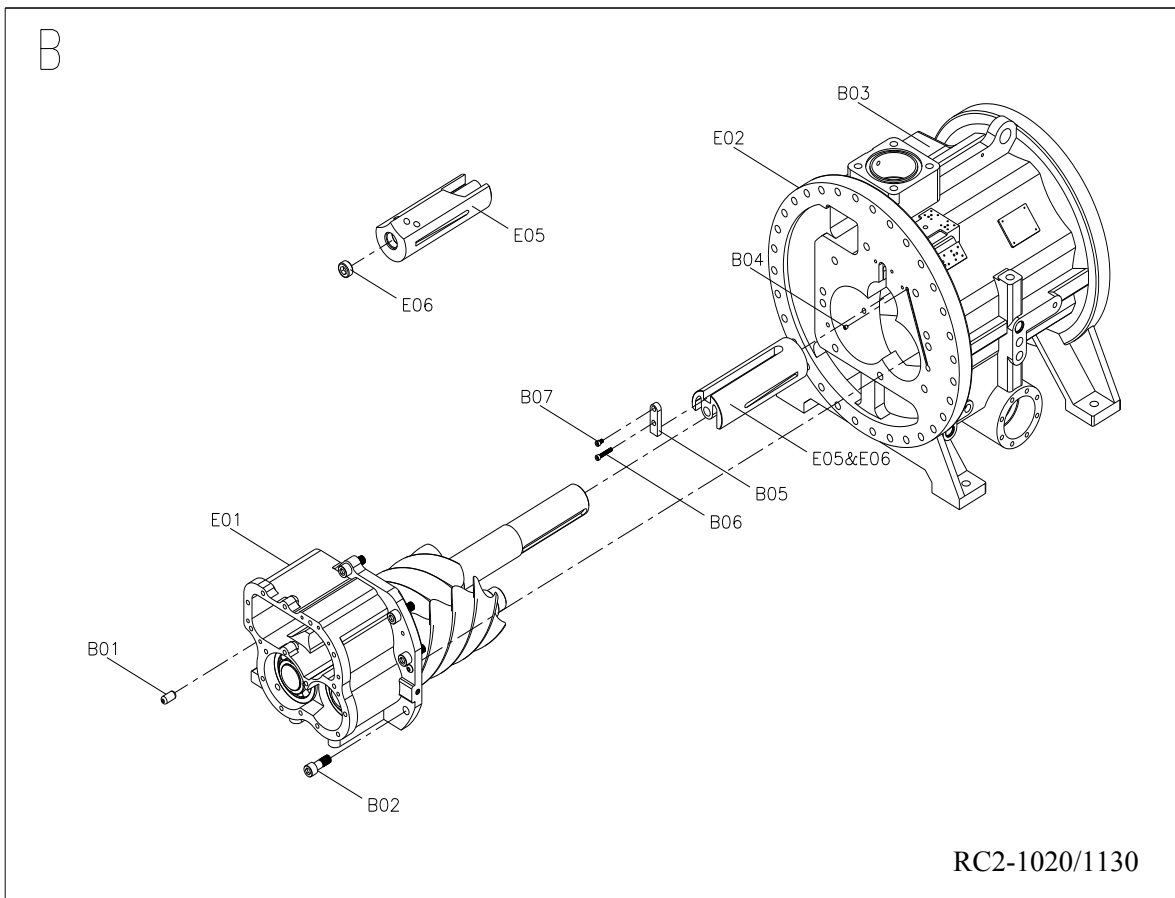
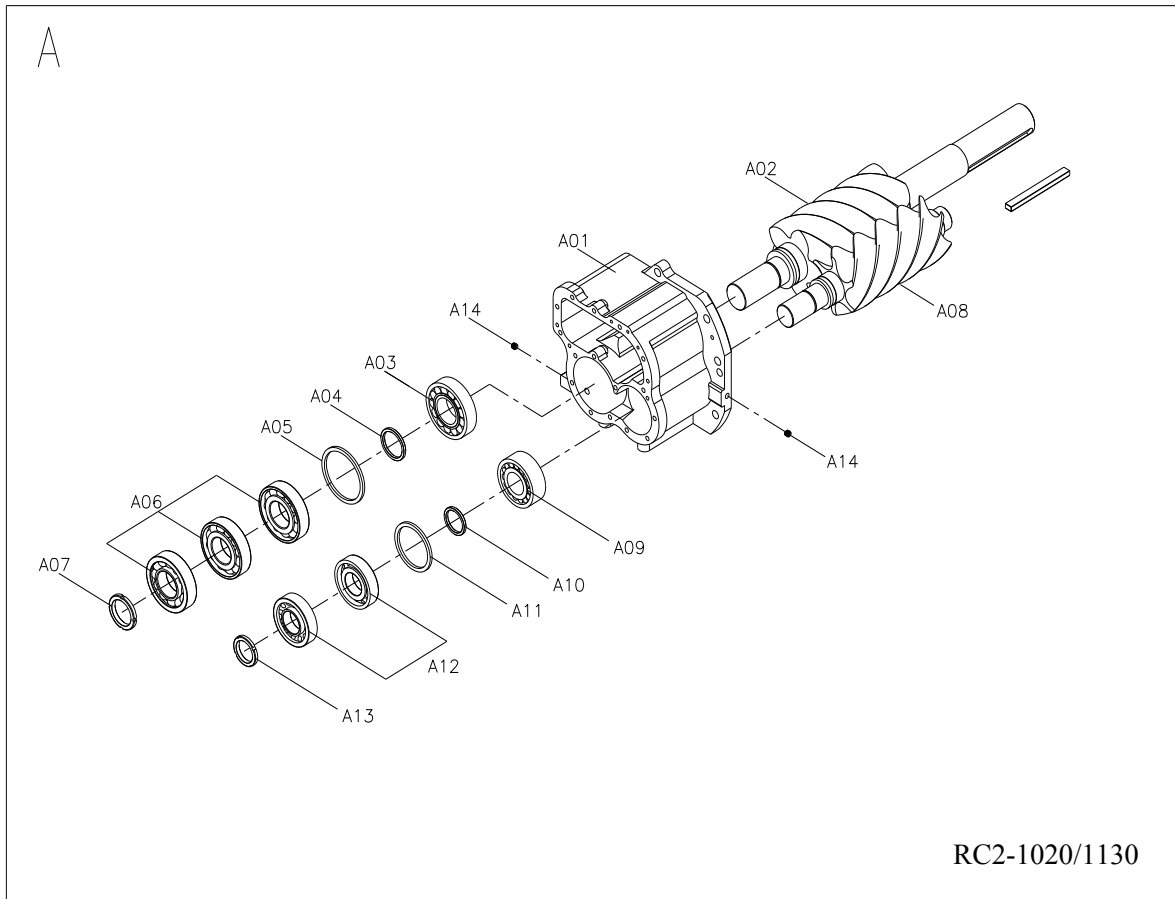
RC2-610,710~930
B - Compression Casing

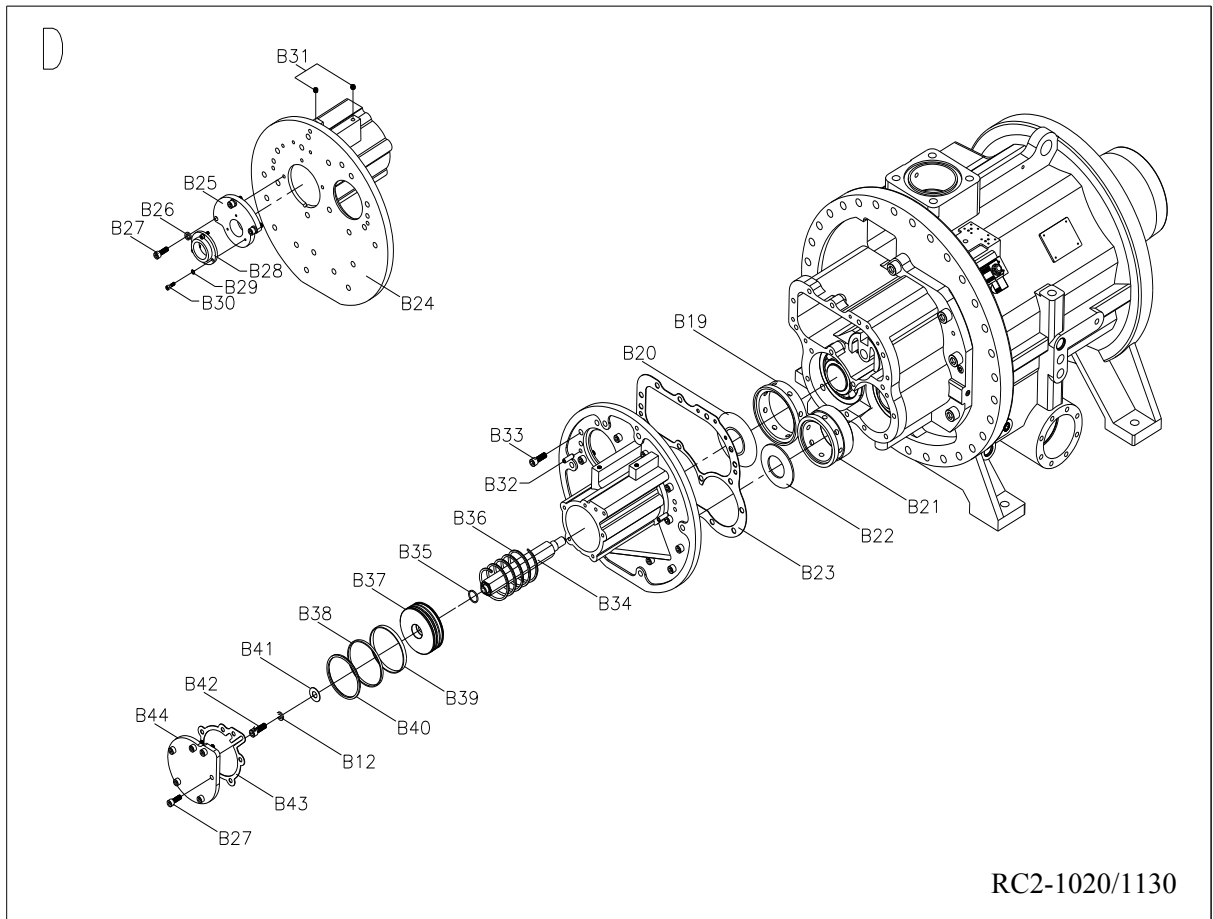
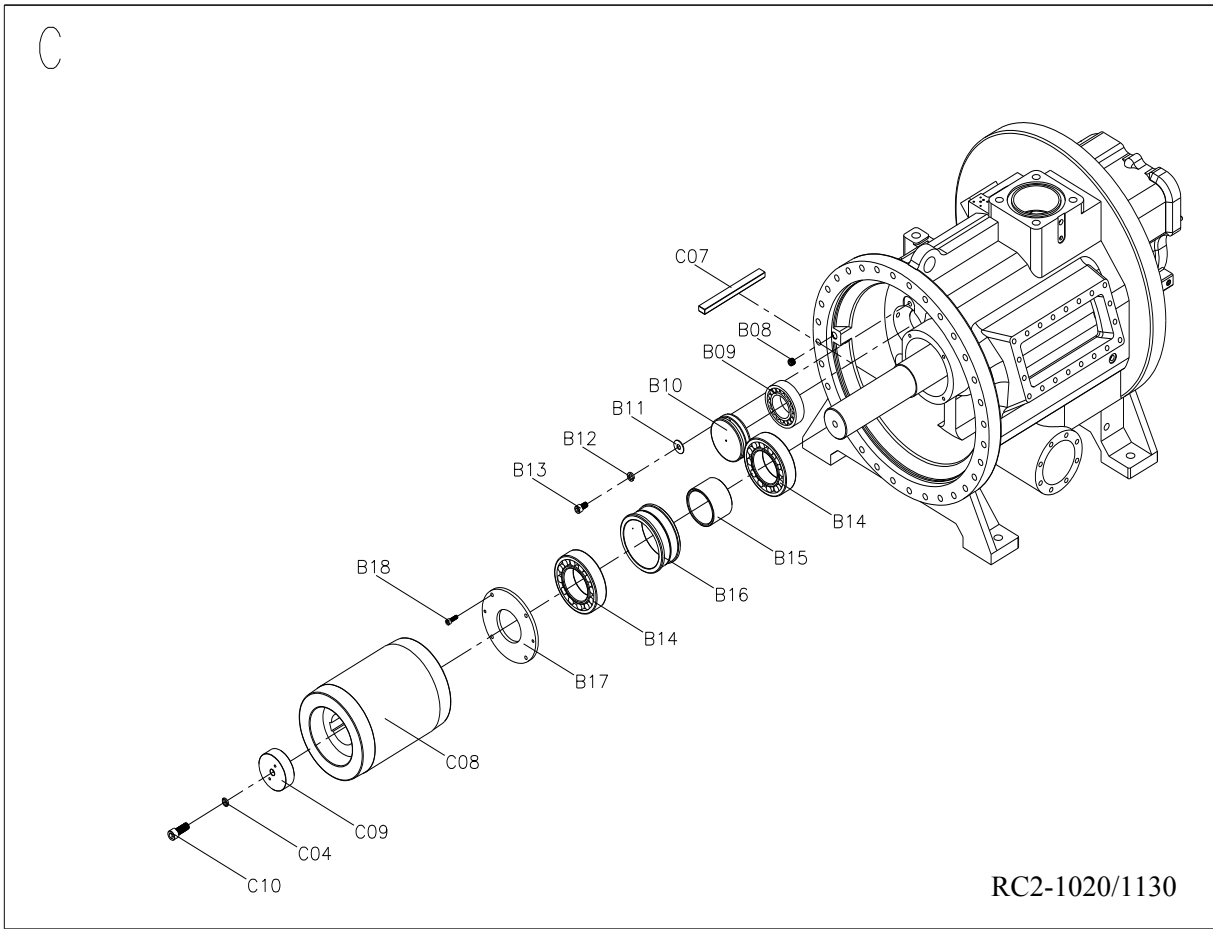


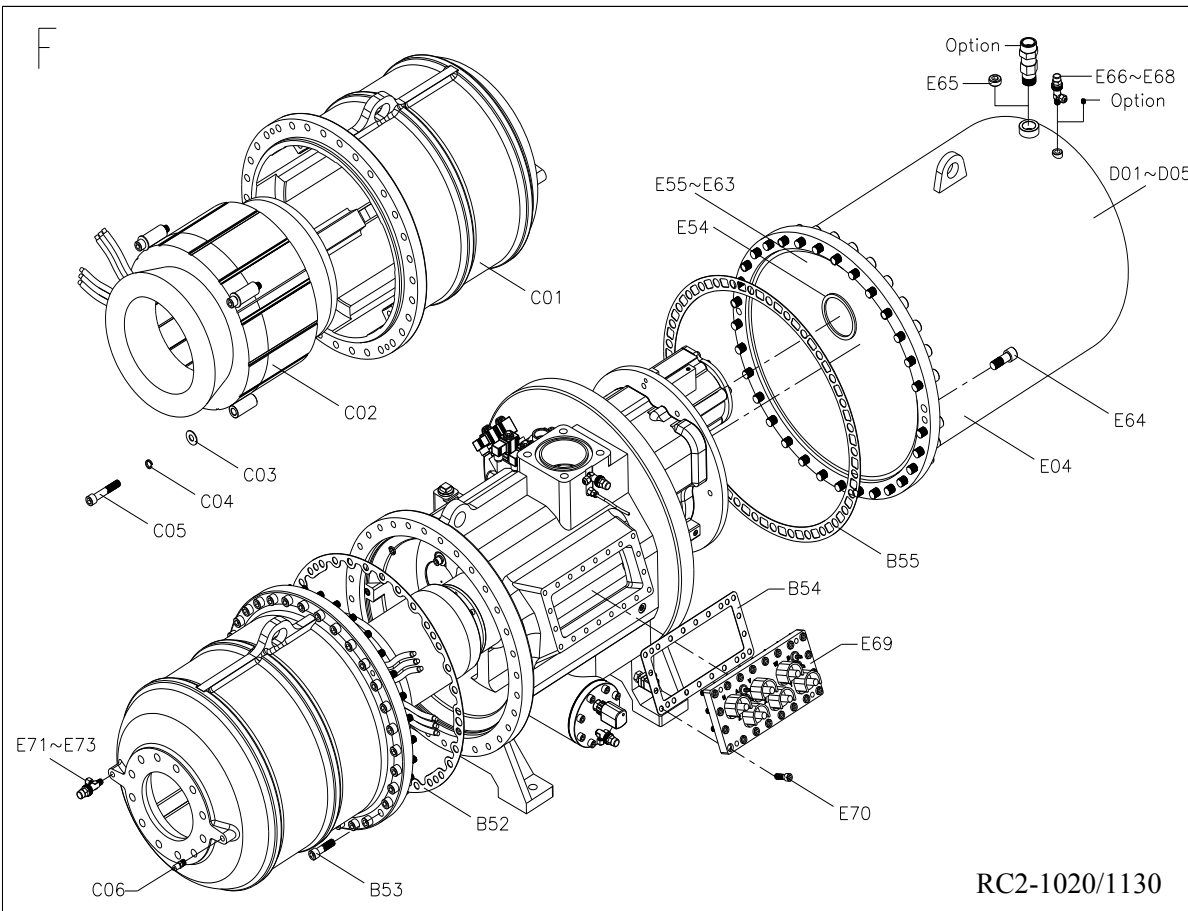
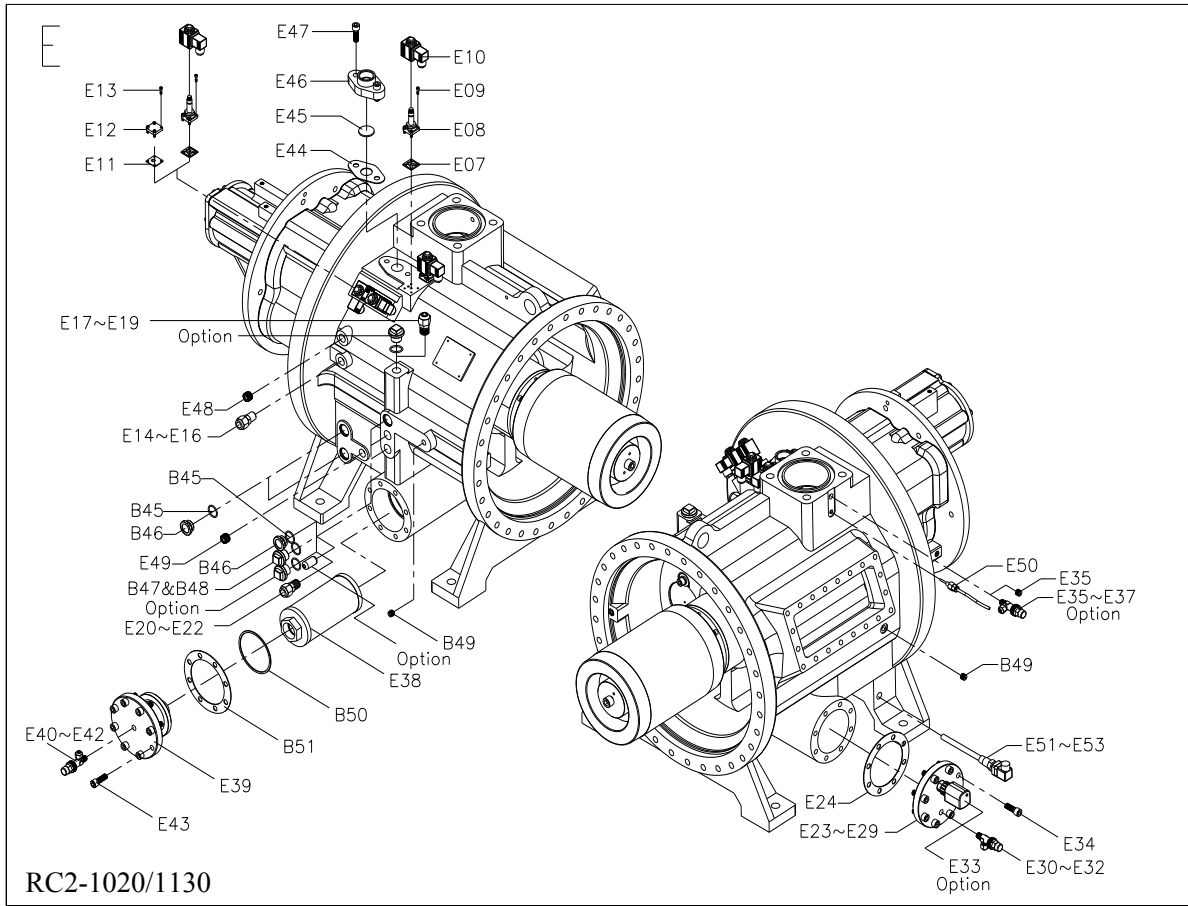
RC2-610,710~930
C - Oil Separator

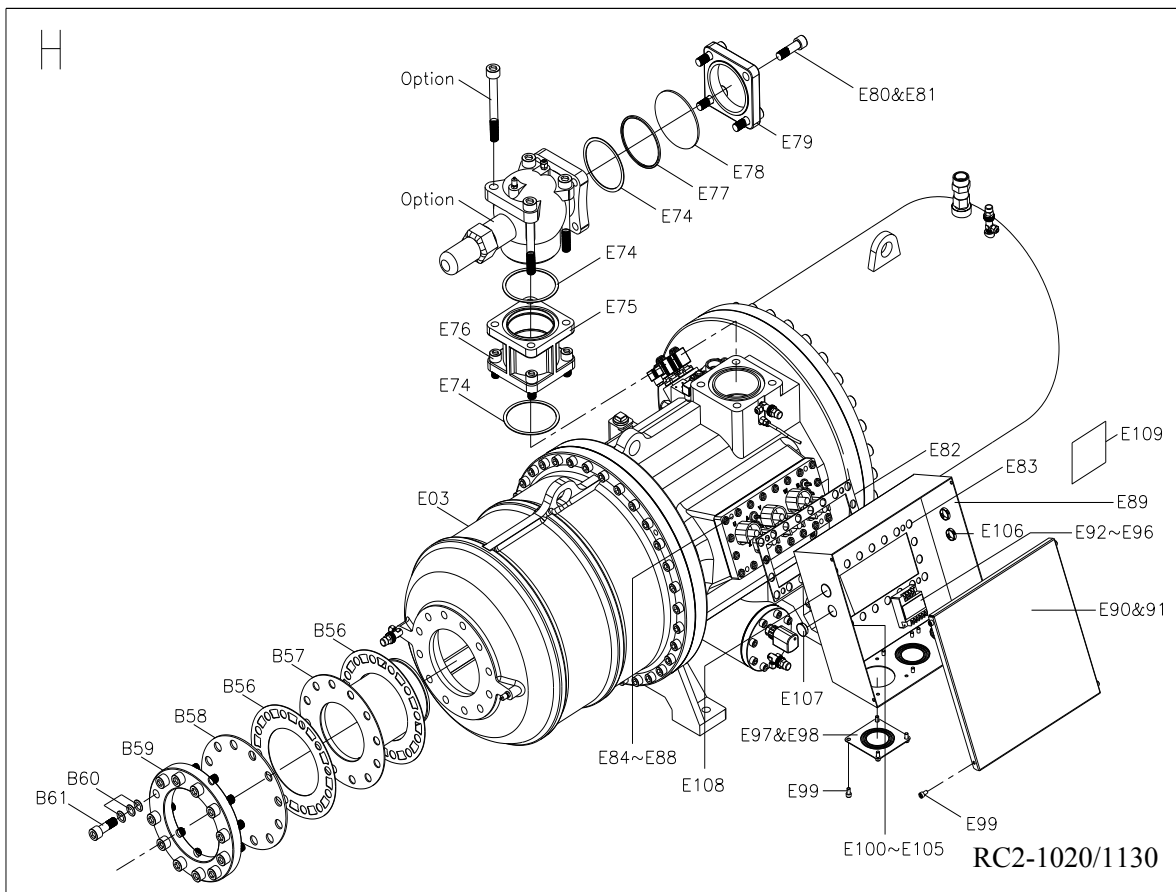
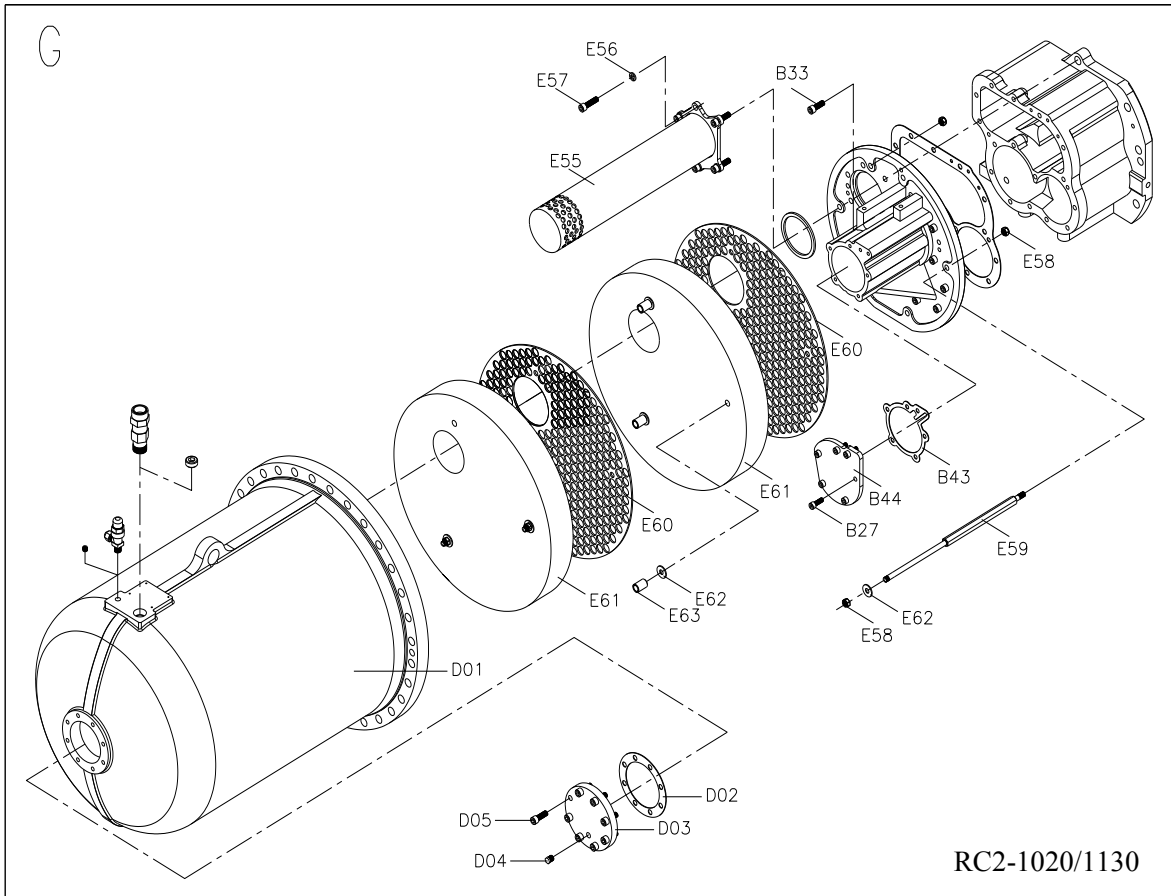


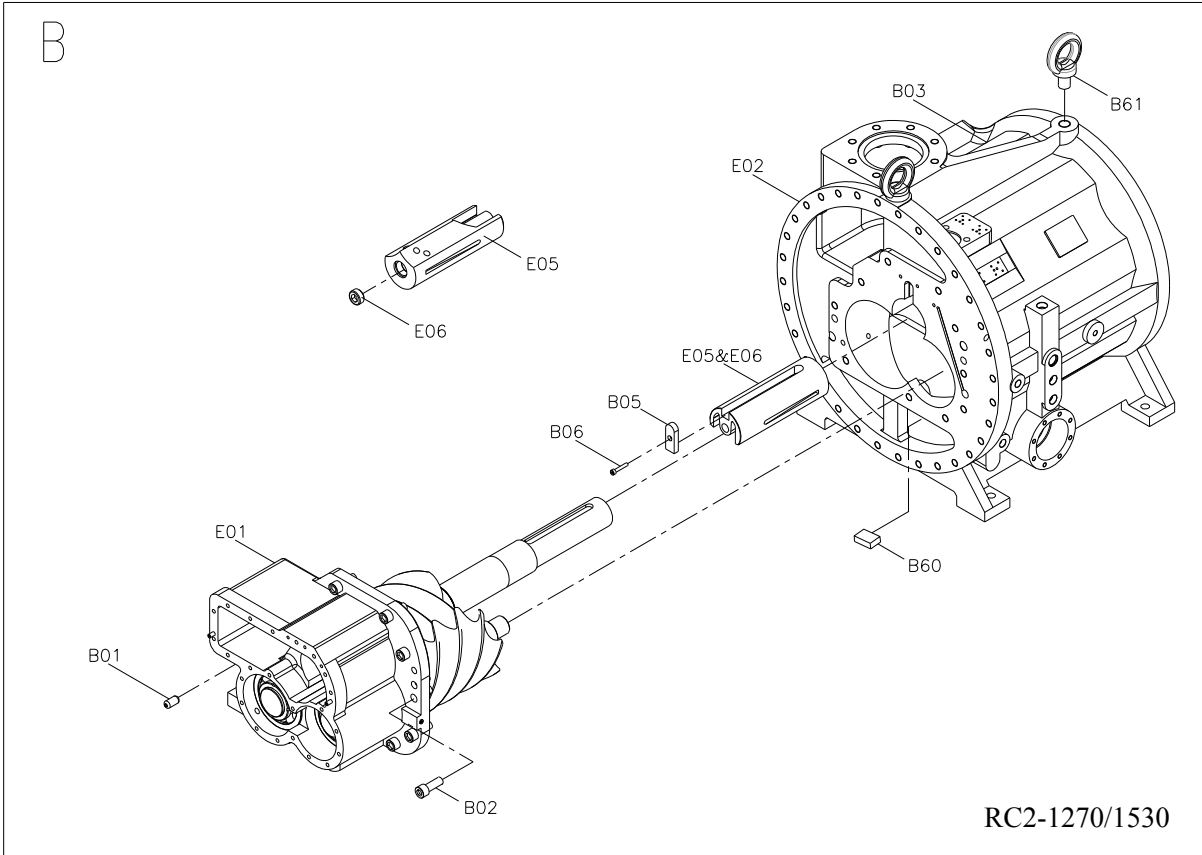
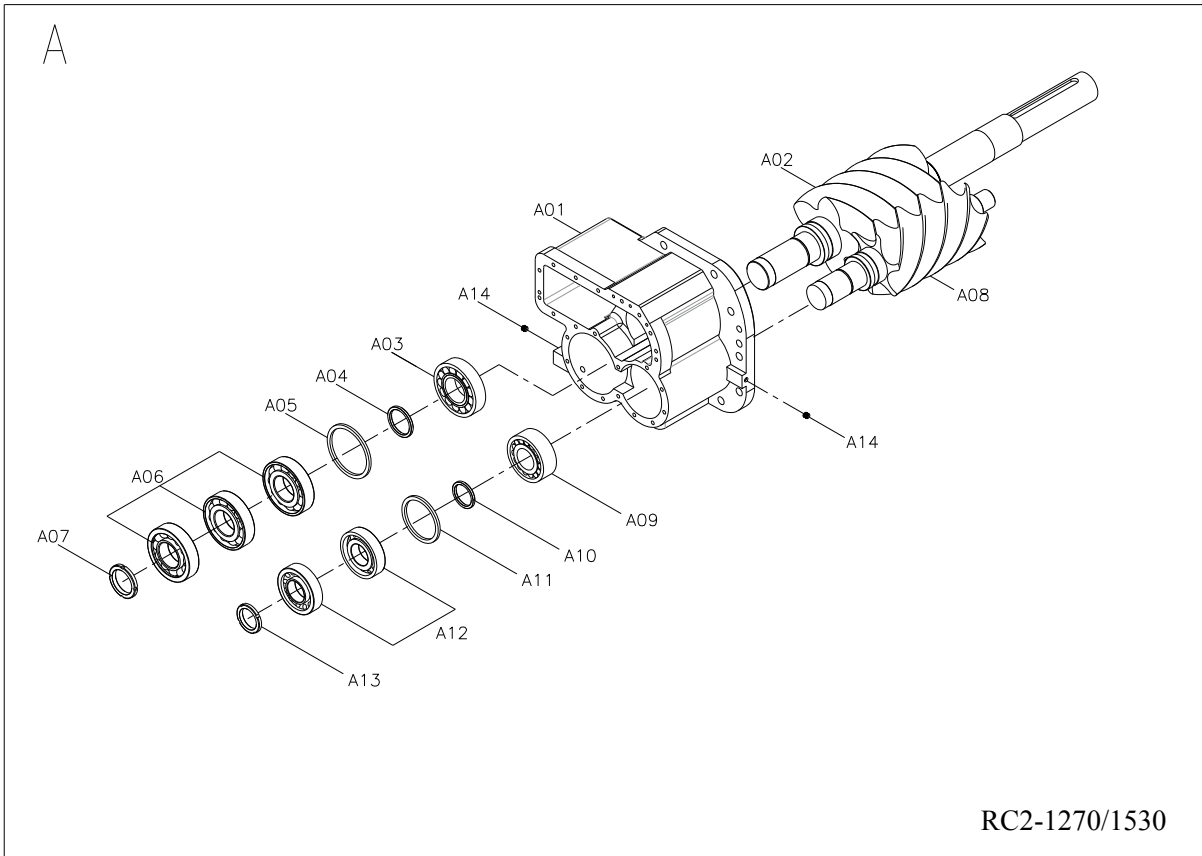
RC2-610,710~930
D - Motor

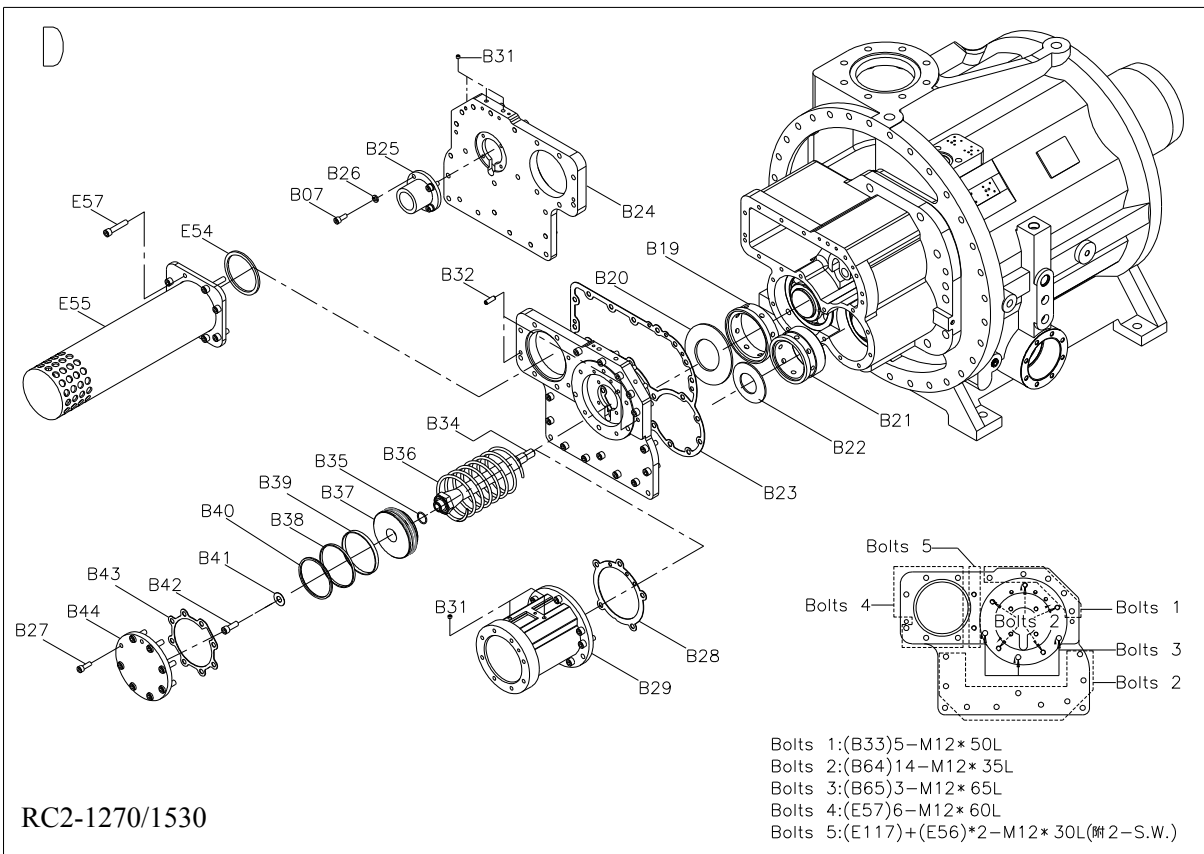
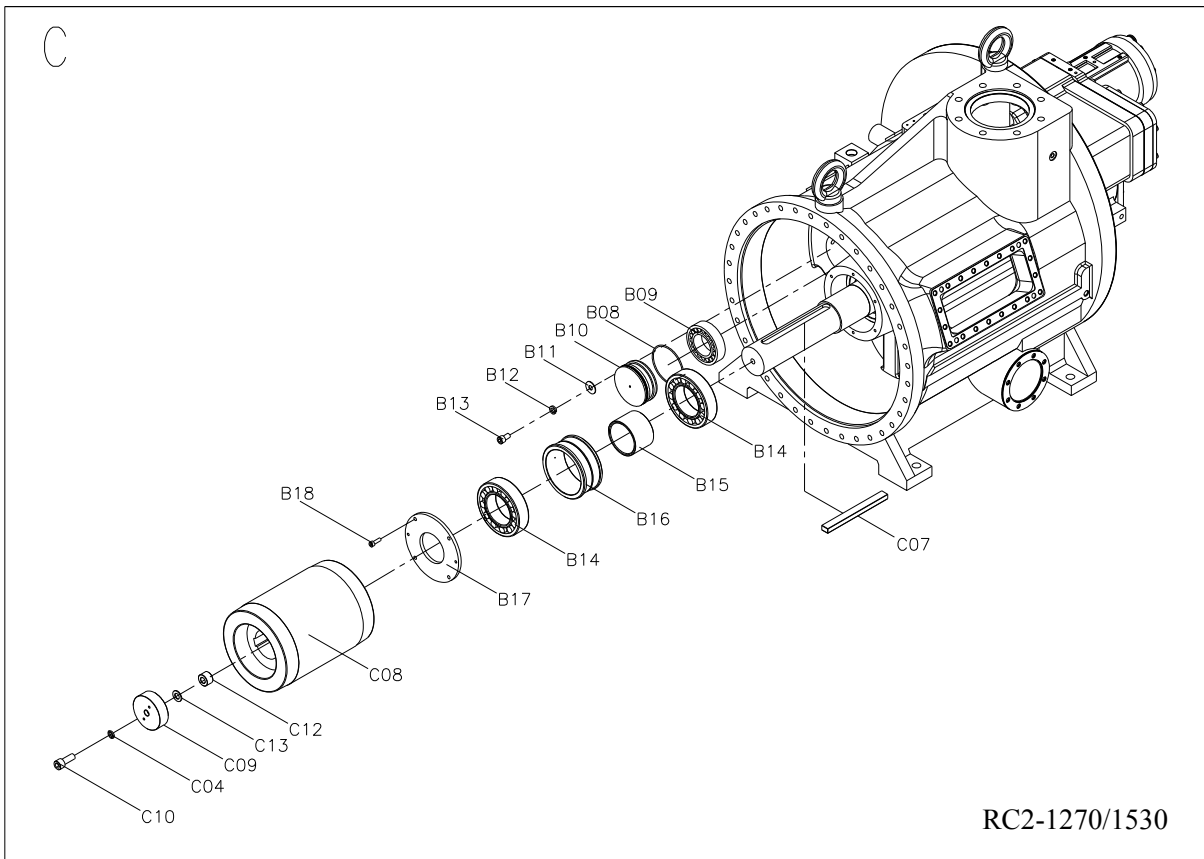


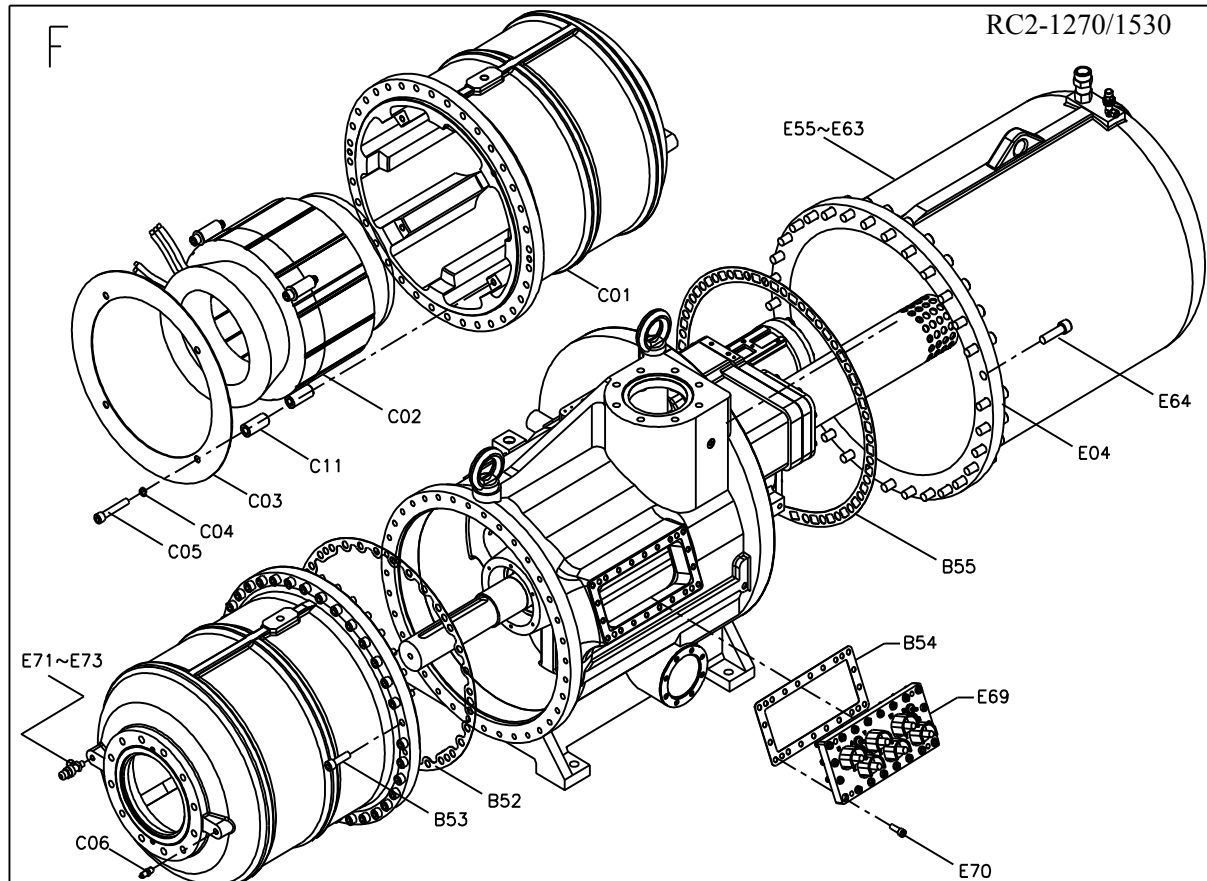
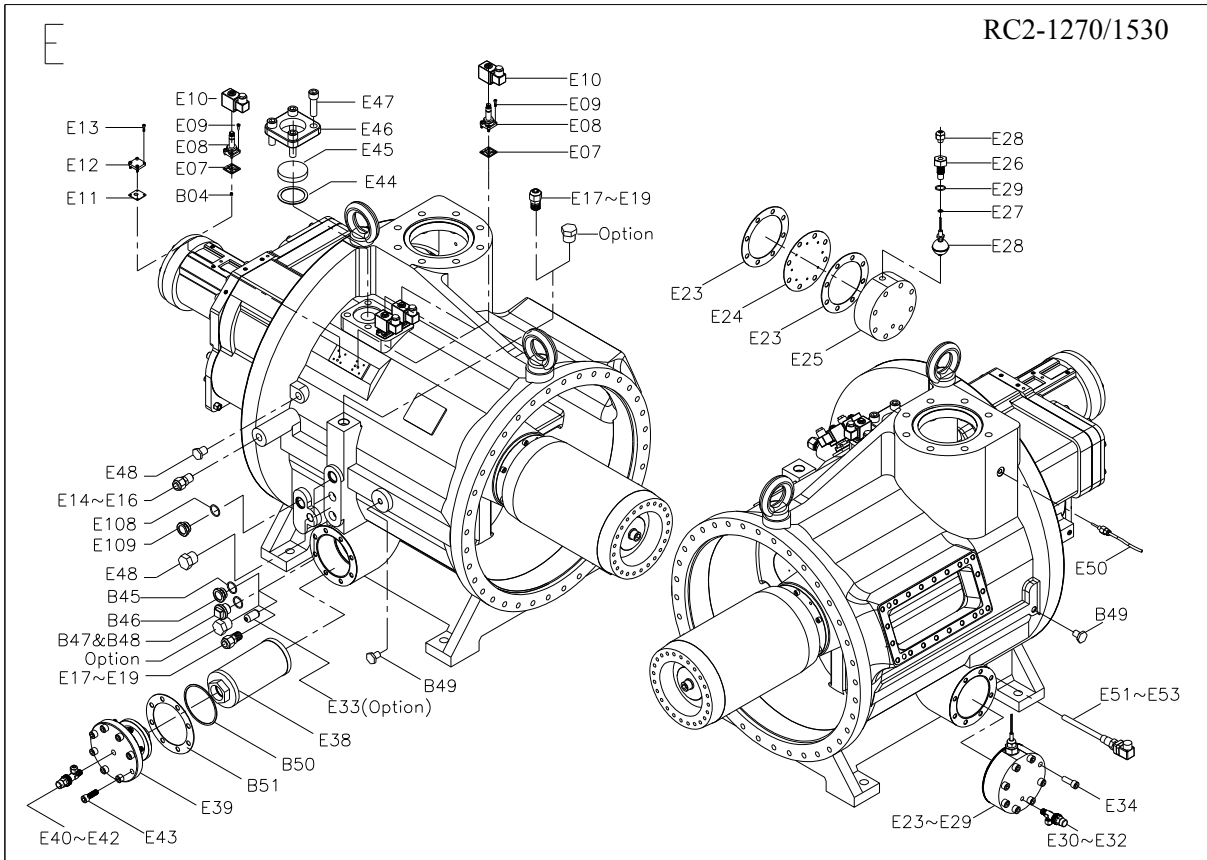


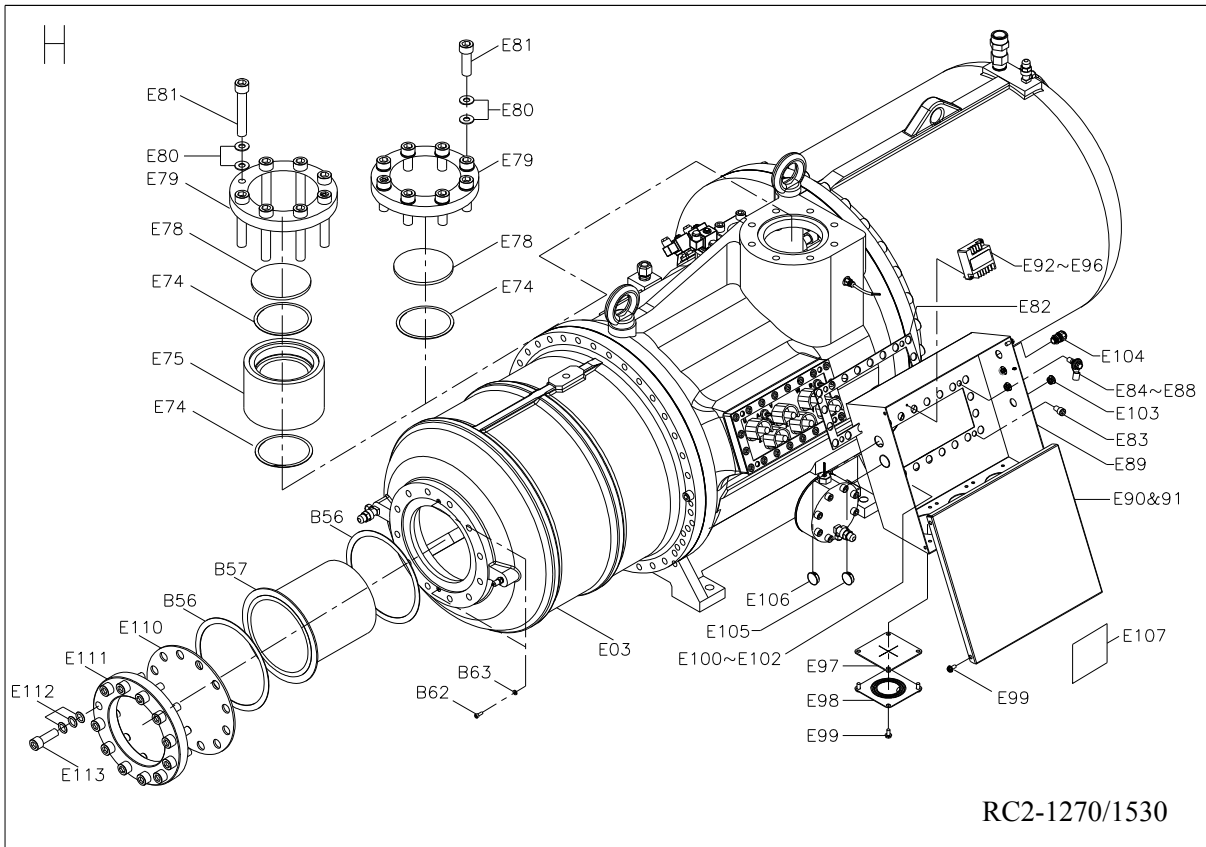
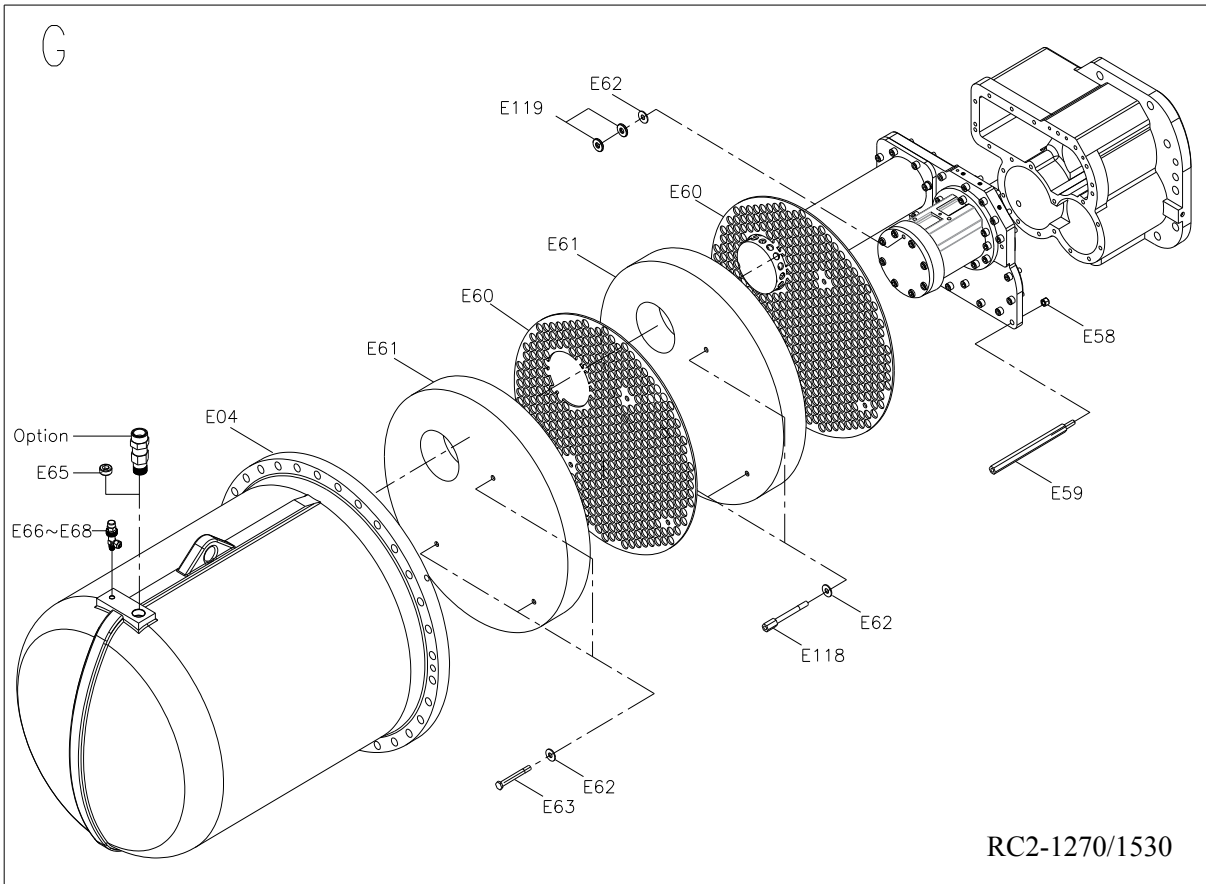












Revision/Disclaimer Page

Date	Author	Description of Changes
04-20-20	DEW	Restructured manual to Indesign



Providing HVAC/R Control Solutions Worldwide

5580 Enterprise Pkwy. Fort Myers, FL 33905

Office: (239) 694-0089

Fax: (239) 694-0031

www.mcscontrols.com